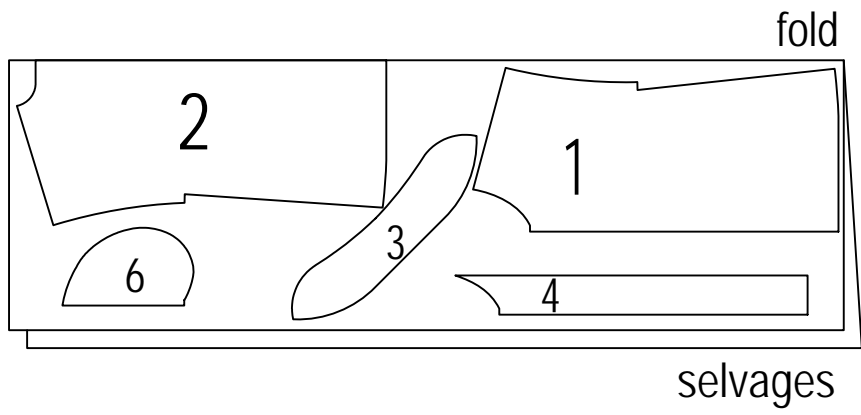
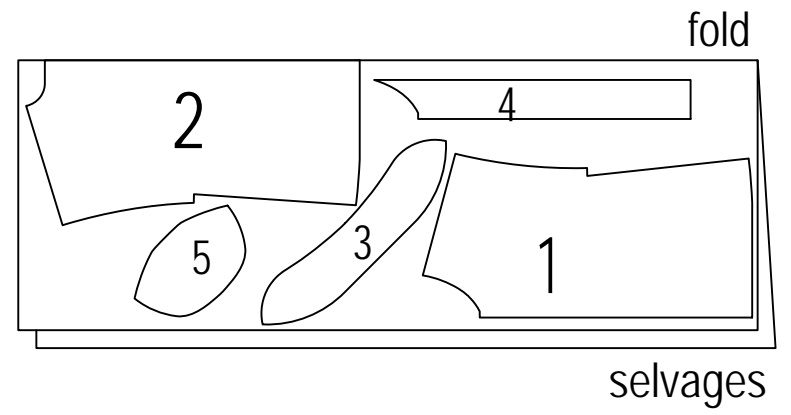


INDYGO JUNCTION #IJ1152 LAYOUTS

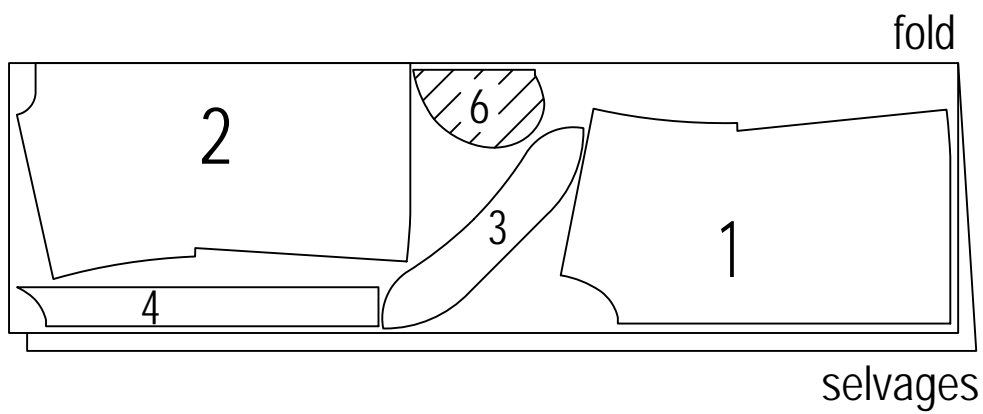
1152 - LONG
45" FABRIC W/WO NAP
XS-MD = 2 YD



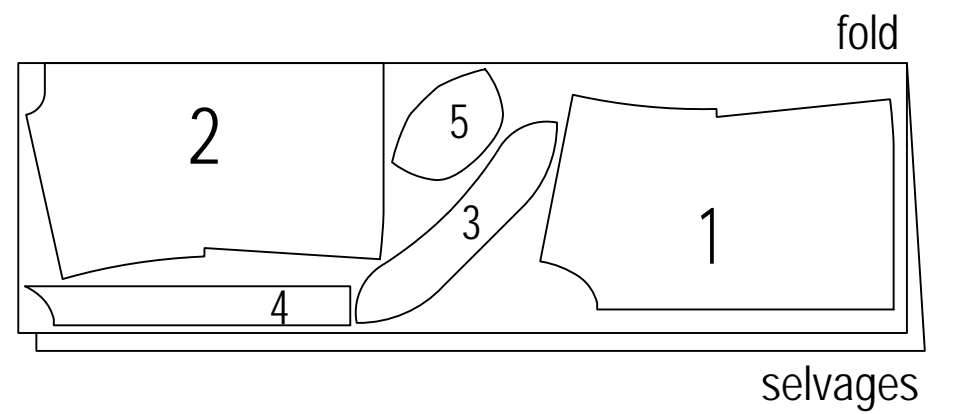
1152 - SHORT
45" FABRIC W/WO NAP
XS-SM = 1 3/4 YD
MD = 1 7/8 YD



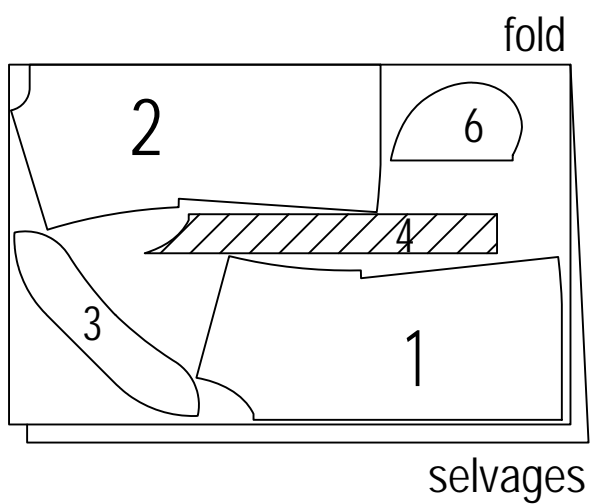
1152 - LONG
45" FABRIC W/WO NAP
LG-XXL = 2 1/4 YD
XXXL = 2 3/8 YD



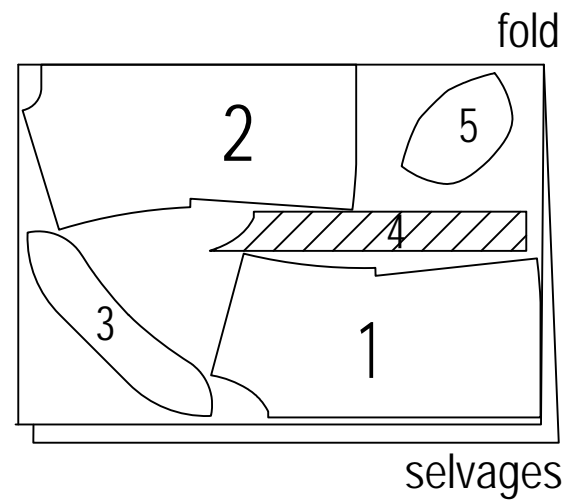
1152 - SHORT
45" FABRIC W/WO NAP
LG = 2 YD
XL-XXXL = 2 1/8 YD



1152 - LONG
60" FABRIC W/WO NAP
XS-MD = 1 3/8 YD

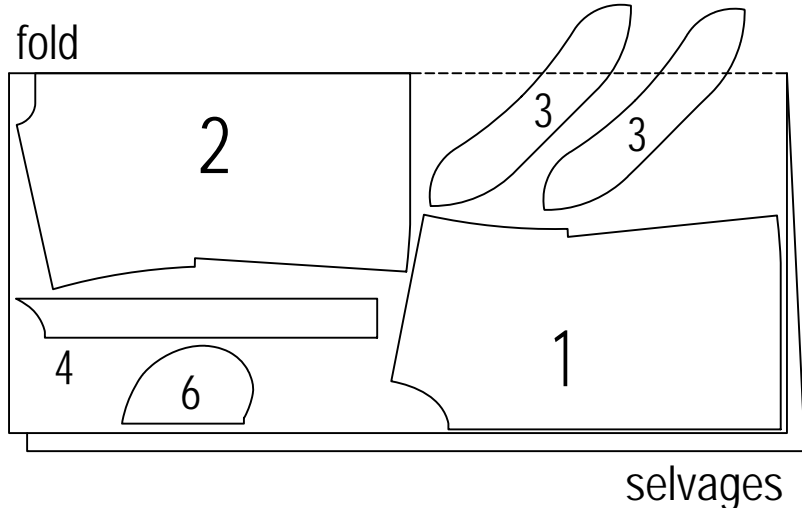


1152 - SHORT
60" FABRIC W/WO NAP
XS-MD = 1 1/4 YD



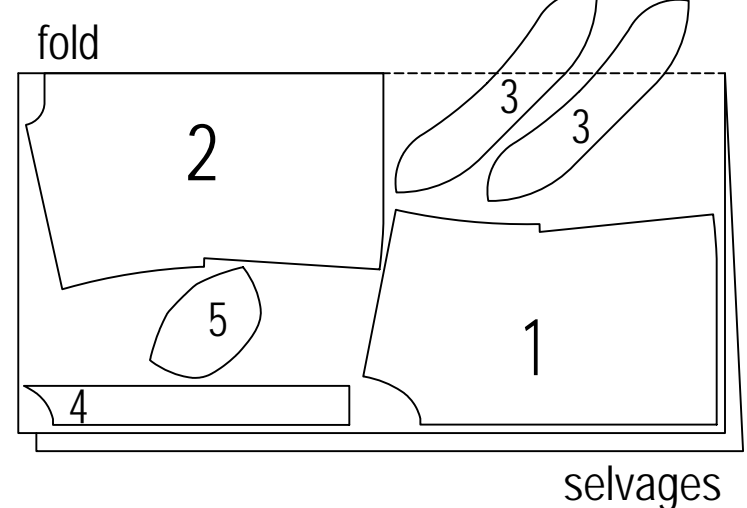
1152 - LONG
60" FABRIC W/WO NAP
LG-XXL = 1 7/8 YD
XXXL = 2 YD

Open fabric to cut after cutting Piece 1



1152 - SHORT
60" FABRIC W/WO NAP
LG = 1 5/8 YD
XL-XXXL = 1 3/4 YD

Open fabric to cut after cutting Piece 1



MANDARIAN VEST

CORRECTED SIZE LABELING

