

PART NUMBER:

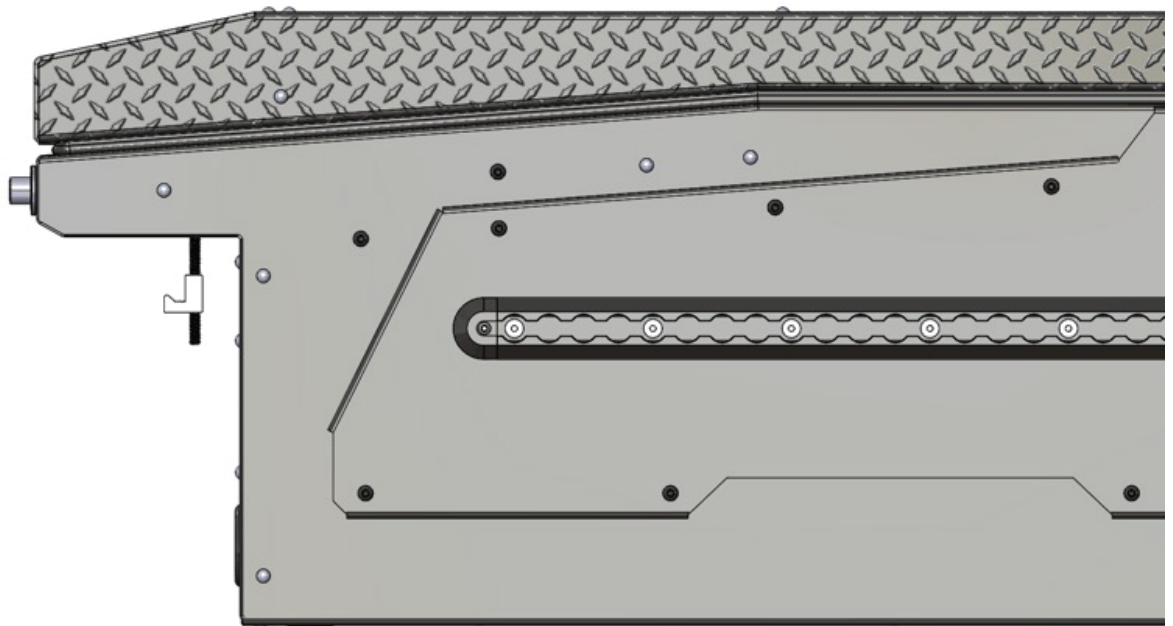
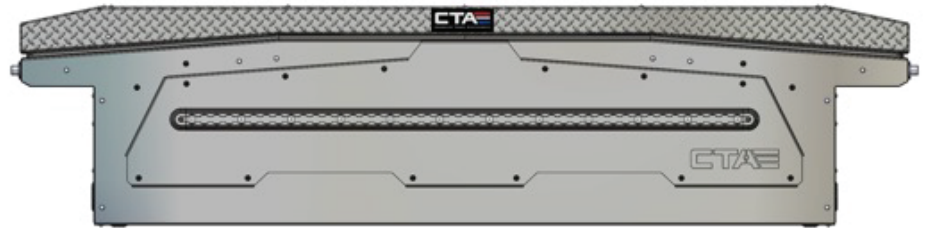
5079-8972 / 5070-8972

DESCRIPTION: ADAPT SINGLE LID BOX or ADAPT GULLWING BOX



INSTALL INSTRUCTIONS

1. Insert 2X Mounting Clamps through the provided slots on each side of the toolbox.

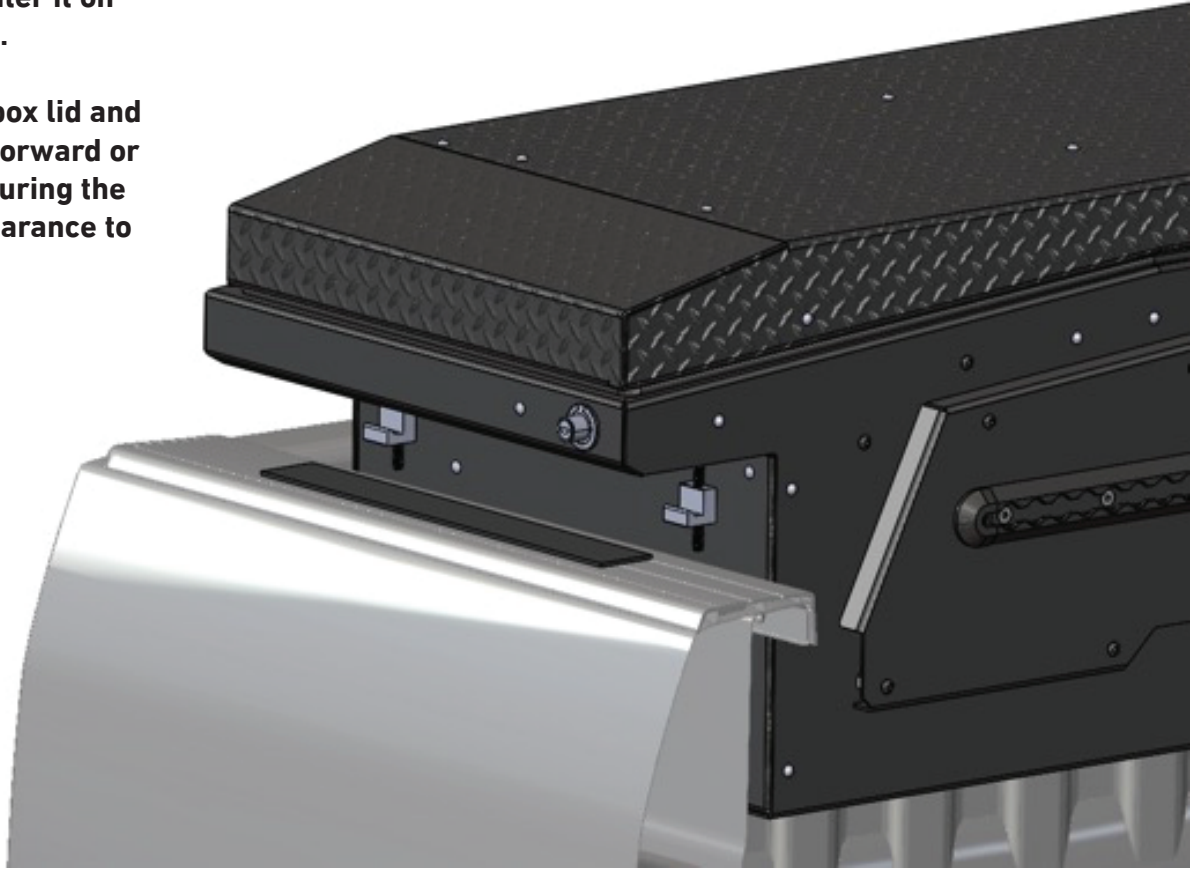


2. Place 1X Rubber Strip on each side of the truck bed rails.



3. Place toolbox on Rubber Strips and center it on the truck rails.

Open the toolbox lid and slide the box forward or backward ensuring the lid has full clearance to open.



4. Slide Mounting Clamps forward and lift so that the clamp is touching the bottom of the side rail and cannot freely rotate.

Fasten all Mounting Clamps using a 1/2" socket or wrench finalizing the installation.

Make sure not to over-tighten mounting hardware. Some plastic bedsides may bend if over tightened.

