

# Versa-Pure® QC™ Series Drinking Water Filtration and Purification Systems Selection and Ordering Guide



**VPQC1  
Canister**

**VPQC2  
Canister**



**Sanitary Bypass  
Connector**  
(for use in sanitization  
and, otherwise when  
canister is not installed)

**Versa-Pure QC  
Interface**  
Interface Valves certified  
to ASME A112.18.3M  
ANSI/NSF 61

Versa-Pure Quick Change QC™ Systems include a choice between AS 33514-6 and AS 1656-06 inlet and outlet port interface configurations. *Alternative port configurations quoted upon request.*

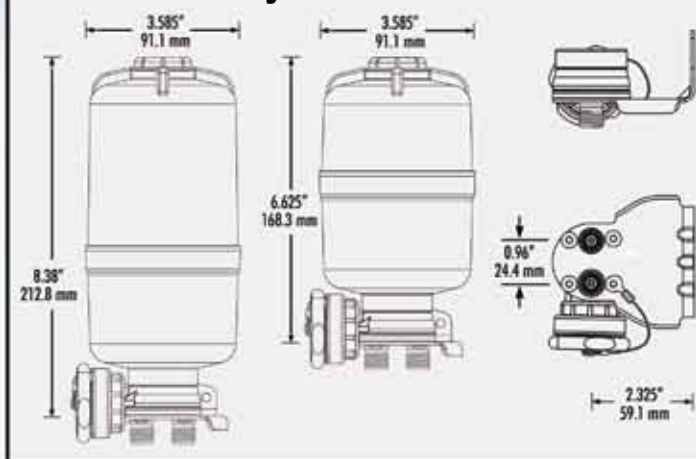
Canister part numbers are described by size and type in the "Versa-Pure QC Canister Selection Guide" on the reverse side of this page. Three types of VPQC canisters are available in two sizes, designated as -1 (short) and -2 (long). All canisters fit interface configurations interchangeably, and include an automatic air vent/vacuum break feature.

System configuration (includes interface and canister) six digit part numbers are identified as follows:

1. Select the desired canister part number from the canister Selection Guide.
2. Refer to the VPQC System Selection Chart at the desired canister designation.
3. The proper system part number is listed in the same row as the canister selection, either left or right side, according to interface port selection.

Please order the desired system configuration by the appropriate six digit part number. In addition to "systems," canisters and interface units can be ordered separately by their six digit part numbers.

## Versa-Pure QC System Dimensions



**For cold water use only.** Versa-Pure QC systems meet RTCA DO 160E environmental requirements including extreme temperature and flammability. VPQC canisters do not need to be drained to resist freezing damage (adjacent supply lines should be drained to avoid damage to supply lines).

## Versa-Pure QC System Selection Chart



**PN 770720  
VPQC Interface**  
AS 33514-6 Flareless ports  
& extended bracket



**PN 770728  
VPQC Interface**  
AS 1656-06 ports &  
extended bracket

System PN*	Canister (only)	System PN*
770736	<b>RS1QC</b> 770310	770730
770737	<b>SC1QC</b> 770340	770731
770738	<b>TO1QC</b> 770330	770732
770746	<b>RS2QC</b> 770410	770740
770747	<b>SC2QC</b> 770440	770741
770748	<b>TO2QC</b> 770430	770742

\*Systems comprise Interface, Bracket, and Canister

Call **1-610-363-7900**

8:00am - 4:30pm EST to speak to a representative — for information, alternative configurations quotes, pricing, or to place an order.

## Weight Information

Canister VPQC1.....	0.47kg (1.04lb)
Canister VPQC2.....	0.60kg (1.32lb)
Interface Unit AS 33514-6.....	0.26kg (0.57lb)
Interface Unit AS 1656-06.....	0.28kg (0.62lb)
Interface Unit ¼ NPT.....	0.27kg (0.59lb)

General Ecology's Standard Terms and Conditions apply. Prices, terms, specifications and Conditions of Sale are subject to change without notice. General Ecology's "Standard Conditions of Sale" are hereby incorporated by reference. This list supersedes all previous versions.



**General Ecology, Inc.** 151 Sheree Blvd., Exton, PA 19341  
tel: (610) 363-7900 – fax: (610) 363-0412  
www.generalecology.com – info@generalecology.com

# Versa-Pure® QC™ Canister Selection Guide

Choose Your Canister by Matching the Features Needed



**VPQC Interface**  
with AS 33514-6 Flareless  
ports & extended bracket



**VPQC Interface**  
with AS 1656-06 ports  
& extended bracket

**General Ecology, Inc.**  
**Canisters for Versa-Pure QC**  
**Drinking Water Systems**



**This Selection Guide will help you decide which General Ecology VPQC Canister best answers your replacement needs.**

Primary Canister Feature	Purification**	Scale Removal	Taste & Odor	Purification**	Scale Removal	Taste & Odor
Part Number	<b>770310</b>	<b>770340</b>	<b>770330</b>	<b>770410</b>	<b>770440</b>	<b>770430</b>
Alpha Description	<b>RS1QC</b>	<b>SC1QC</b>	<b>TO1QC</b>	<b>RS2QC</b>	<b>SC2QC</b>	<b>TO2QC</b>
Flow Rate	1.5 lpm / 0.4 gpm	1.5 lpm / 0.4 gpm	1.5 lpm / 0.4 gpm	3 lpm / 0.8 gpm	3 lpm / 0.8 gpm	3 lpm / 0.8 gpm
Pressure Drop at Rated Flow	16 psi	4 psi	3 psi	22 psi	8 psi	4 psi
Nominal Capacity*	2,600 liters (690 gallons)	6,500 liters (1,700 gallons)	9,900 liters (2,600 gallons)	3,800 liters (1,000 gallons)	9,500 liters (2,500 gallons)	14,400 liters (3,800 gallons)
Maximum Operating Temperatures	38°C / 100°F	38°C / 100°F	38°C / 100°F	38°C / 100°F	38°C / 100°F	38°C / 100°F
Survival Temperatures	-55°C to 95°C -67°F to 203°F	-55°C to 95°C -67°F to 203°F	-55°C to 95°C -67°F to 203°F	-55°C to 95°C -67°F to 203°F	-55°C to 95°C -67°F to 203°F	-55°C to 95°C -67°F to 203°F

You can order genuine VPQC Replacement Canisters by either:  
tel: 610-363-7900  
fax: 610-363-0412  
email: [info@generalecology.com](mailto:info@generalecology.com)

*7/24/365 coverage worldwide is provided by General Ecology, Inc. authorized distributors, please inquire.*

## Performance

Particle Retention Rating	0.4 micron	3 micron	10 micron	0.4 micron	3 micron	10 micron
Bacteria	✓	-	-	✓	-	-
Cysts	✓	✓	-	✓	✓	-
Viruses	✓	-	-	✓	-	-
Specific Chemicals	✓	✓	✓	✓	✓	✓
Chlorine	✓	✓	✓	✓	✓	✓
Foul Taste/Odor	✓	✓	✓	✓	✓	✓
Scale Control	-	✓	-	-	✓	-

**Always order by 6 digit numeric part numbers.**

\* Performance may vary according to influent water quality.

\*\* Independently certified to meet EPA Guide Standard and Protocol for Testing Microbiological Water Purifiers against bacteria, cysts and viruses. Based on tests conducted on Nature Pure® and first need® purifiers using the same "Structured Matrix™" purification technology.

General Ecology, Inc. 151 Sheree Blvd., Exton, PA 19341  
tel: (610) 363-7900 – fax: (610) 363-0412 – Customer Service 1-800-441-8166  
[www.generalecology.com](http://www.generalecology.com) – [info@generalecology.com](mailto:info@generalecology.com)

**AS9100, ISO 9001 and FAA Quality Certified**  
**Original Equipment and PMA Manufacturer**  
**Made In USA**

