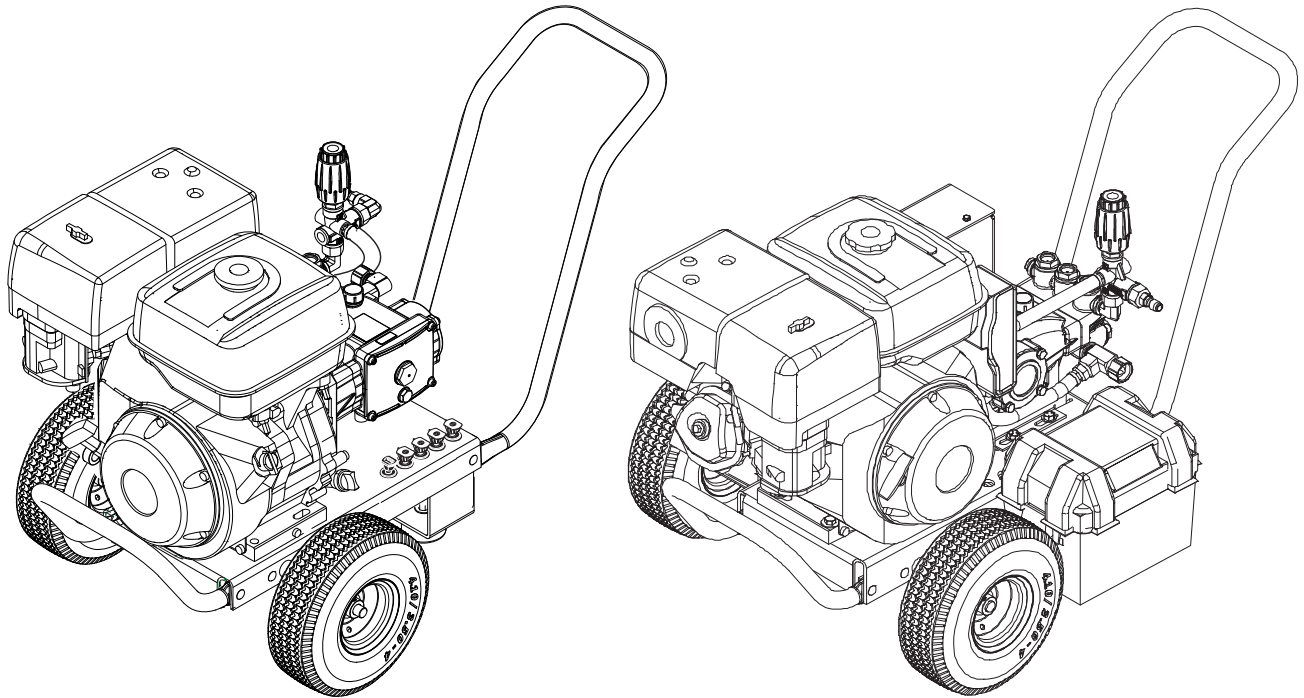


# OPERATOR'S MANUAL



<b>MODEL #</b>	<b>ORDER #</b>
HD 3.0/27 G	1.107-270.0
HD3.0/27 GB	1.107-271.0
HD 3.4/35 G	1.107-272.0
HD 3.3/35 GB	1.107-273.0
HD 4.0/40 G	1.107-274.0
HD 4.0/40 GB	1.107-275.0
HD 4.0/40 Ge	1.107-276.0
HD 4.0/40 GeB	1.107-277.0



---

Important Safety Information .....	4-6
Component Identification .....	7
Assembly Instructions.....	8
Operating Instructions.....	9-10
Detergent and General Operating Techniques .....	11
Shut Down and Clean-Up .....	12
Storage .....	12
Troubleshooting (Models: HD 3.0/27 G, HD 3.4/35 G, HD 4.0/40 G, HD 4.0/40Ge) .....	13-14
Preventive Maintenance (Models: HD 3.0/27 G, HD 3.4/35 G, HD 4.0/40 G, HD 4.0/40Ge) .....	15
Troubleshooting (Models: HD3.0/27 GB, HD 3.3/35 GB, HD 4.0/40 GB, HD 4.0/40 GeB).....	16 - 17
Preventive Maintenance (Models: HD3.0/27 GB, HD 3.3/35 GB, HD 4.0/40 GB, HD 4.0/40 GeB).....	18
Accessories and Parts list .....	19
Oil Change Record .....	20

Model Number \_\_\_\_\_

Serial Number \_\_\_\_\_

Date of Purchase \_\_\_\_\_

The model and serial numbers will be found on a decal attached to the pressure washer. You should record both serial number and date of purchase and keep in a safe place for future reference.

# INTRODUCTION & IMPORTANT SAFETY INFORMATION

Thank you for purchasing this Pressure Washer. We reserve the right to make changes at any time without incurring any obligation.

## Owner/User Responsibility:

The owner and/or user must have an understanding of the manufacturer's operating instructions and warnings before using this pressure washer. Warning information should be emphasized and understood. If the operator is not fluent in English, the manufacturer's instructions and warnings shall be read to and discussed with the operator in the operator's native language by the purchaser/owner, making sure that the operator comprehends its contents.

Owner and/or user must study and maintain for future reference the manufacturers' instructions.

The operator must know how to stop the machine quickly and understand the operation of all controls. Never permit anyone to operate the engine without proper instructions.

## SAVE THESE INSTRUCTIONS


This manual should be considered a permanent part of the machine and should remain with it if machine is resold.

When ordering parts, please specify model and serial number. Use only identical replacement parts.

This machine is to be used only by trained operators.

## IMPORTANT SAFETY INFORMATION

**! WARNING**



READ OPERATOR'S MANUAL THOROUGHLY PRIOR TO USE.

**WARNING:** To reduce the risk of injury, read operating instructions carefully before using.

1. Read owner's manual thoroughly. Failure to follow instructions could cause malfunction of the machine and result in death, serious bodily injury and/or property damage.
2. Know how to stop the machine and bleed pressure quickly. Be thoroughly familiar with the controls.
3. Stay alert — watch what you are doing.

**! WARNING**



KEEP WATER SPRAY AWAY FROM ELECTRICAL WIRING.

**WARNING:** Keep wand, hose, and water spray away from electric wiring or fatal electric shock may result.

4. All installations must comply with local codes. Contact your electrician, plumber, utility company or the selling distributor for specific details.

**! WARNING**



EAR PROTECTION MUST BE WORN

**WARNING:** This machine exceeds 85 db appropriate ear protection must be worn.

**! WARNING**



USE PROTECTIVE EYE WEAR AND CLOTHING WHEN OPERATING THIS EQUIPMENT.

**WARNING:** High pressure spray can cause paint chips or other particles to become airborne and fly at high speeds. To avoid personal injury, eye, hand and foot safety devices must be worn.

5. Eye, hand, and foot protection must be worn when using this equipment.

**! WARNING**




RISK OF EXPLOSION: OPERATE ONLY WHERE OPEN FLAME OR TORCH IS PERMITTED

**WARNING:** Flammable liquids can create fumes which can ignite, causing property damage or severe injury.

**WARNING:** Risk of explosion — Operate only where open flame or torch is permitted.

**! WARNING**



RISK OF FIRE. DO NOT ADD FUEL WHEN OPERATING MACHINE.

**WARNING:** Risk of fire — Do not add fuel when the product is operating or still hot.

**WARNING:** Do not use gasoline crankcase draining or oil containing gasoline, solvents or alcohol. Doing so will result in fire

and/or explosion.

**WARNING:** Risk of fire — Do not Spray flammable liquids.

## IMPORTANT SAFETY INFORMATION

**WARNING:** This product contains chemicals known to the state of California to cause cancer and birth defects or other reproductive harm. Operation of this equipment may create sparks that can start fires around dry vegetation. A spark arrestor may be required. The operator should contact: Local fire agencies for laws or regulations relating to fire prevention requirements.

7. Allow engine to cool for 1-2 minutes before refueling. If any fuel is spilled, make sure the area is dry before testing the spark plug or starting the engine. (Fire and/or explosion may occur if this is not done.)

Gasoline engines on mobile or portable equipment shall be refueled:

- a. outdoors;
- b. with the engine on the equipment stopped;
- c. with no source of ignition within 10 feet of the dispensing point; and
- d. with an allowance made for expansion of the fuel should the equipment be exposed to a higher ambient temperature.

In an overfilling situation, additional precautions are necessary to ensure that the situation is handled in a safe manner.

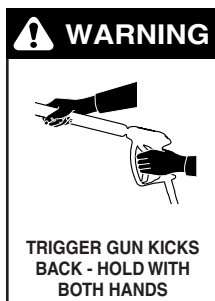
8. When in use, do not place machine near flammable objects as the engine is hot.
9. Do not store or use gasoline near this machine.



**WARNING: Risk of injury. Hot surfaces can cause burns. Use only designated gripping areas of spray gun and wand. Do not place hands or feet on non-insulated areas of the pressure washer.**

10. Transport/Repair with fuel tank EMPTY or with fuel shut-off valve OFF.

11. To reduce the risk of injury, close supervision is necessary when a machine is used near children. Do not allow children to operate the pressure washer. **This machine must be attended during operation.**



**WARNING: Grip cleaning wand securely with both hands before starting. Failure to do this could result in injury from a whipping wand.**

12. Never make adjustments on machine while in operation.
13. Be certain all quick coupler fittings are secured before using pressure washer.



**WARNING: High pressure developed by these machines will cause personal injury or equipment damage. Keep clear of nozzle. Use caution when operating. Do not direct discharge stream at people, or severe injury or death will result.**



**WARNING: Protect machine from freezing.**

14. To keep machine in best operating conditions, it is important you protect machine from freezing. Failure to protect machine from freezing could cause malfunction of the machine and result in death,

serious bodily injury, and/or property damage. Follow storage instructions specified in this manual.

15. Inlet water must be clean fresh water and no hotter than 90°F.



**WARNING: Risk of asphyxiation. Use this product only in a well ventilated area.**

16. Avoid installing machines in small areas or near exhaust fans. Adequate oxygen is needed for combustion or dangerous carbon monoxide will result.

17. Manufacturer will not be liable for any changes made to our standard machines or any components not purchased from us.

18. The best insurance against an accident is precaution and knowledge of the machine.



**WARNING: Be extremely careful when using a ladder, scaffolding or any other relatively unstable location. The cleaning area should have adequate slopes and drainage to reduce the possibility of a fall due to slippery surfaces.**

19. Do not allow acids, caustic or abrasive fluids to pass through the pump.

## IMPORTANT SAFETY INFORMATION

20. Never run pump dry or leave spray gun closed longer than 1-2 minutes.
21. Machines with shut-off spray gun should not be operated with the spray gun in the off position for extensive periods of time as this may cause damage to the pump.
22. Protect discharge hose from vehicle traffic and sharp objects. Inspect condition of high pressure hose before using or bodily injury may result.
23. Before disconnecting discharge hose from water outlet. Open the spray gun to relieve pressure.
24. Do not overreach or stand on unstable support. Keep good footing and balance at all times.
25. Do not operate this machine when fatigued or under the influence of alcohol, prescription medications, or drugs.
26. **WARNING: Wear eye, hand and skin protection when handling or connecting battery.**

**Batteries generate explosive gases during normal battery operation.**

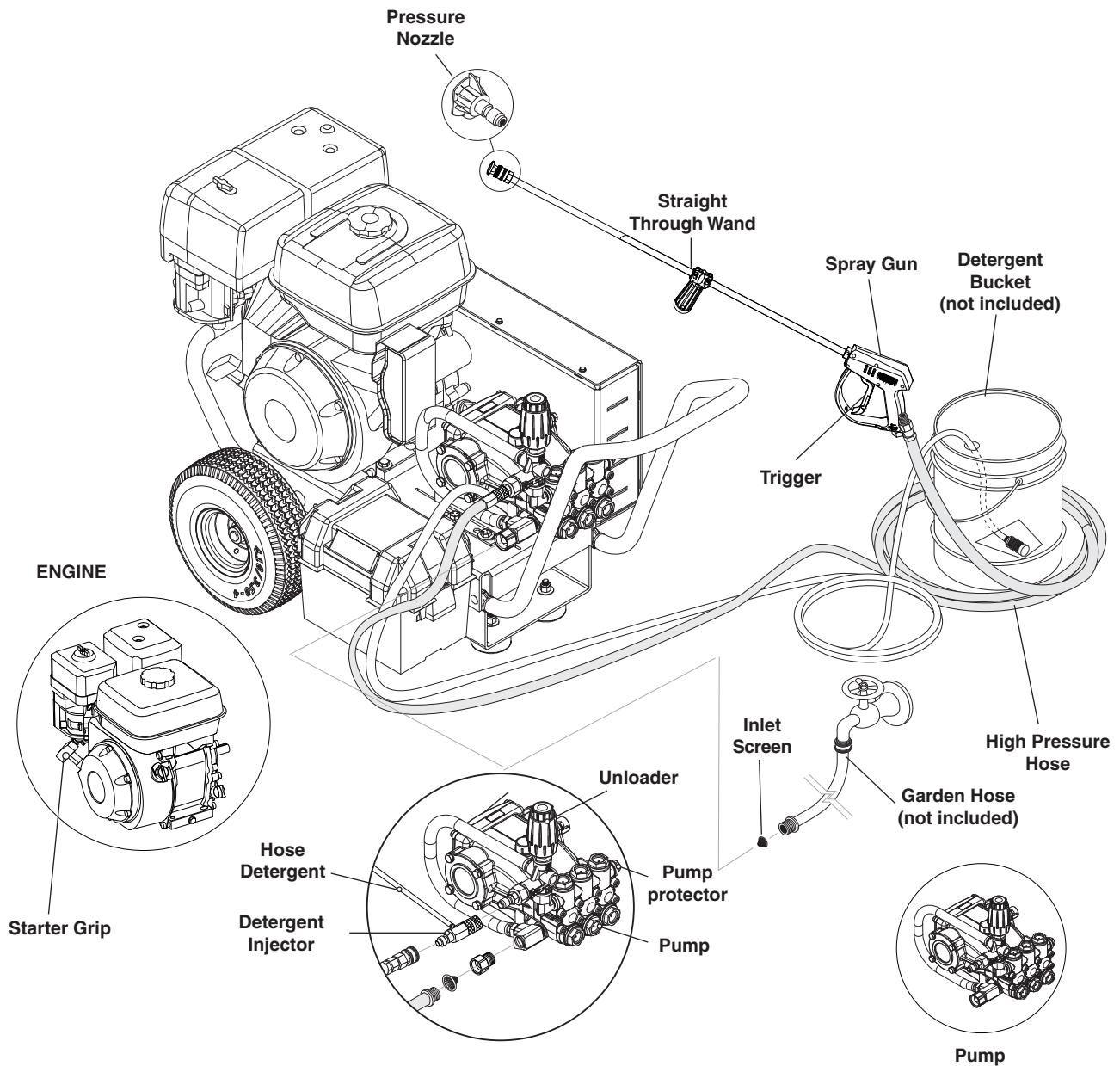
**DO NOT expose the battery to flame or sparks as these gases may ignite.**

**Battery fluid is highly acidic. If battery fluid contacts skin or clothing, wash immediately with soap and water. If battery fluid enters eye, immediately flood eye with running cold water for at least 15 minutes and get immediate medical attention.**



**Follow the maintenance instructions specified in the manual.**

# COMPONENT IDENTIFICATION



**Pump** — Develops high pressure.

**Starter Grip** — Used for starting the engine manually.

**Spray Gun** — Controls the application of water and detergent onto cleaning surface with trigger device. Includes safety latch.

**Unloader valve** — Safety device which allows pressure to be released when spray gun is closed

**Detergent Injector** — Allows you to siphon and mix detergents. (Not included with machine)

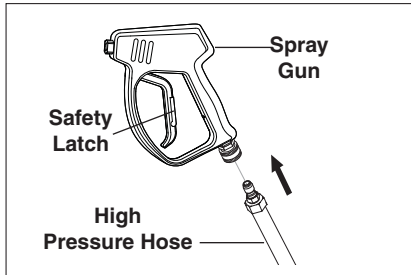
**Wand** — Must be connected to the spray gun.

**High Pressure Hose** — Connect one end to water pump discharge nipple and the other end to spray gun.

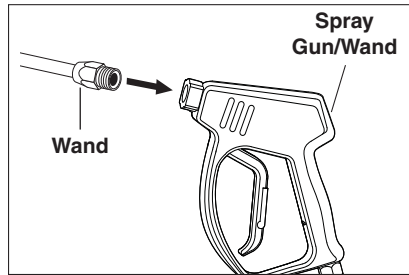
**Pump Protector** — Cycles fresh cool water through pump when recirculating water reaches 140°F.

**Note:** If trigger on spray gun is released for more than 1-2 minutes, water will leak from valve. Warm water will discharge from pump protector onto floor. This system prevents internal pump damage.

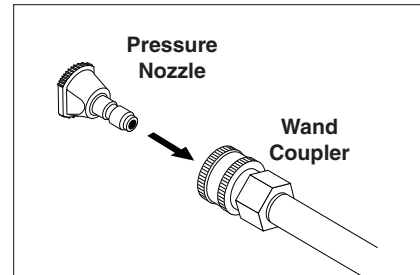
## ASSEMBLY INSTRUCTIONS



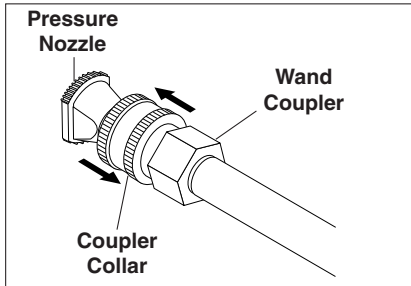
**STEP 1:** Attach the high pressure hose to the spray gun using teflon tape on hose threads.



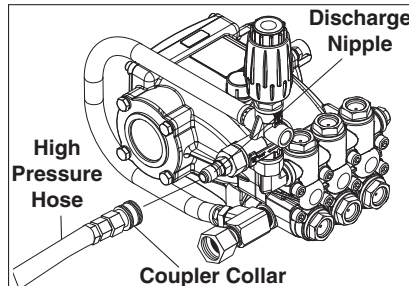
**STEP 2:** Attach wand to spray gun using teflon tape on wand threads.



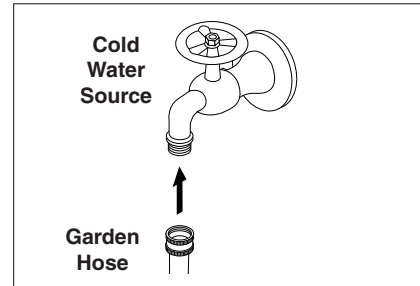
**STEP 3:** Pull spring-loaded collar of the wand coupler back to insert your choice of pressure nozzle.



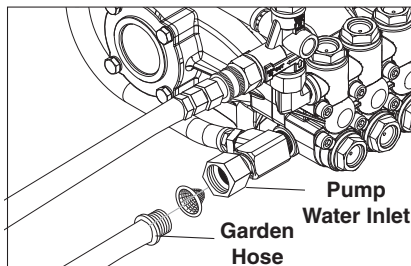
**STEP 4:** Release the coupler collar and push the nozzle until the collar clicks. Pull the nozzle to make sure it is seated properly.



**STEP 5:** Connect the high pressure hose to the discharge nipple. Push coupler collar forward until secure.

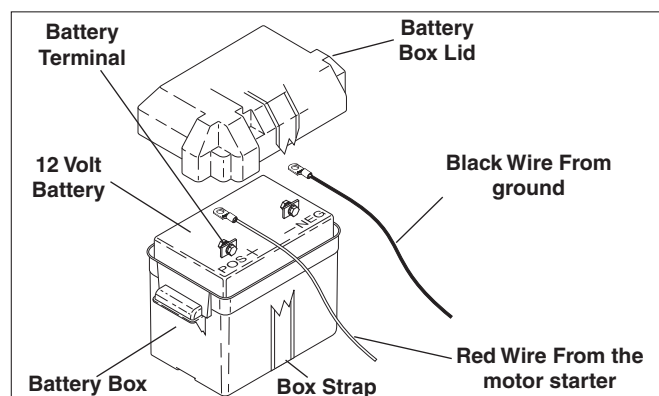


**STEP 6:** Connect garden hose to the cold water source.



**STEP 7:** Check inlets filters, remove debris, then connect the garden hose to pump water inlet.  
**CAUTION: Do not run the pump without water or pump damage will result.**

### STEPS 8 and 9 for Electric Start Machines Only ( HD 4.0/40 Ge and HD 4.0/40 GeB)

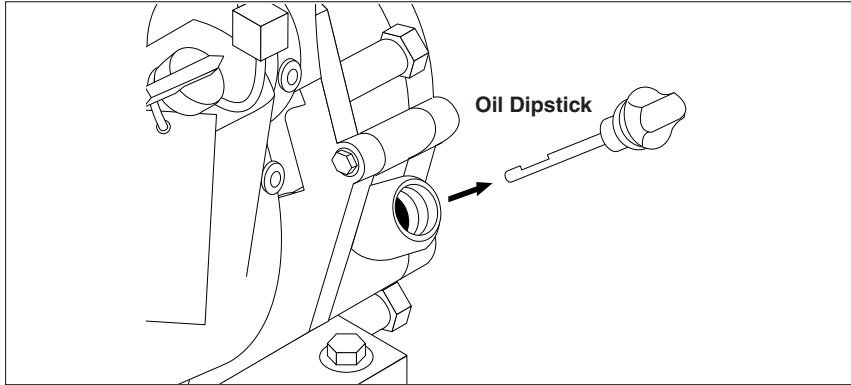


**STEP 8:** Place battery in battery box. Use a standard 12 volt battery.

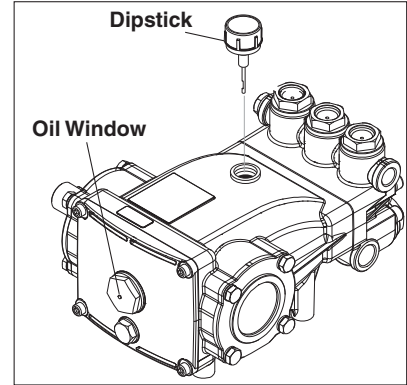
**STEP 9:** To reduce the possibility of sparking attach the wires to the battery in the following order. Refer to image aside. First attach the red wire to the positive "+" terminal of battery and the black wire to the negative "-" terminal of the battery. To disconnect the battery remove the wires in the opposite order as installed. Install battery box cover and fasten in place.



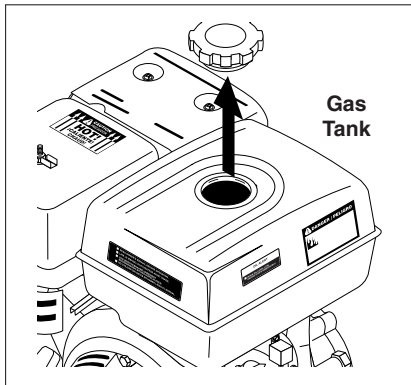
# OPERATING INSTRUCTIONS



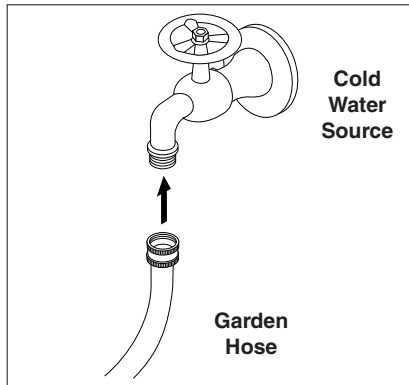
**STEP 1:** Check engine oil level. Oil level should be level with the bottom of the oil filler neck. Be sure the machine is level when checking the oil level. (Refer to the engine's operating manual included with machine.) We recommend that the oil be changed after the first 5 hours of use, then once every 50 hours. **Note:** Improper oil levels will cause low oil sensor to shut off engine. **IMPORTANT! Do not run engine with high or low oil levels as this will cause engine damage.**



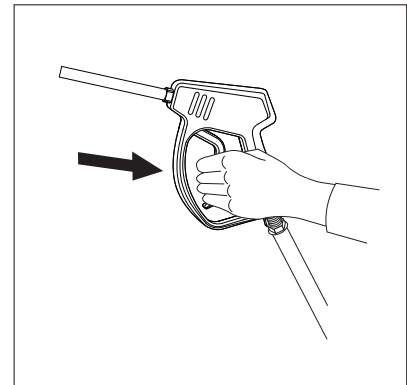
**STEP 2:** Remove shipping cap and install oil dipstick. Check pump oil level by using dipstick or observe oil level in oil window (if equipped). Use 40 wt. non detergent oil.



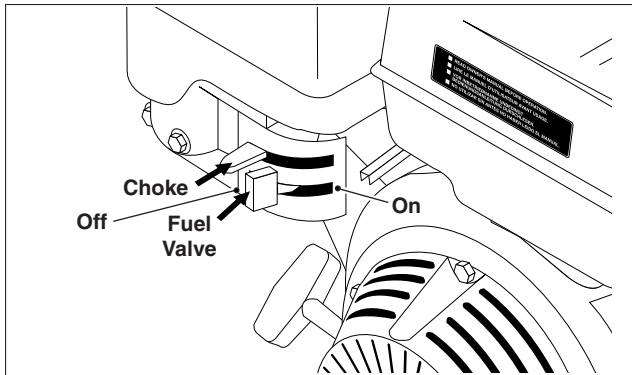
**STEP 3:** Fill gas tank with unleaded gasoline. Do not use leaded gasoline.



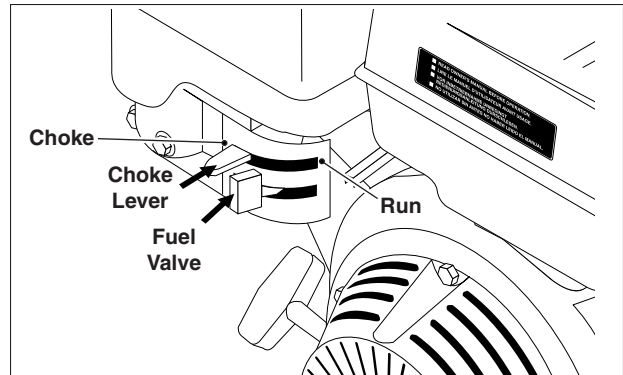
**STEP 4:** Connect garden hose to the cold water source and turn water on completely. Never use hot water.



**STEP 5:** Trigger the spray gun to eliminate trapped air then wait for a steady flow of water to emerge from the spray nozzle.

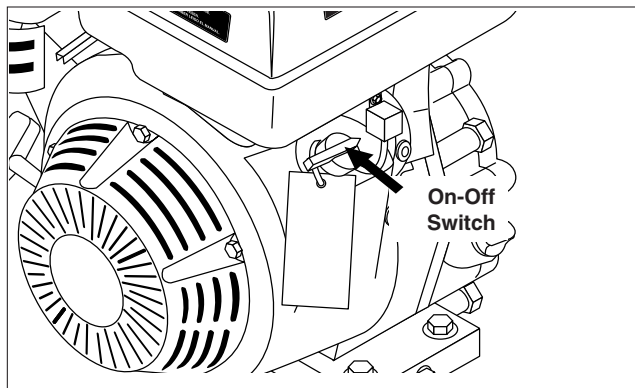


**STEP 6:** Slide the fuel valve lever to the "ON" position. When the engine is not in use, leave the fuel valve in the "OFF" position.

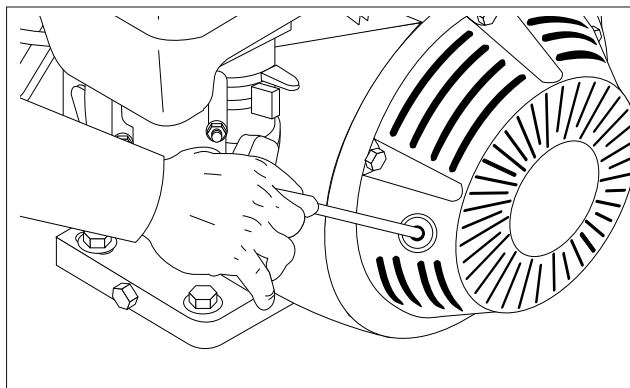


**STEP 7:** Move the choke lever to the "Choke" position (on a warm engine, leave the choke lever in the run position).

## OPERATING INSTRUCTIONS

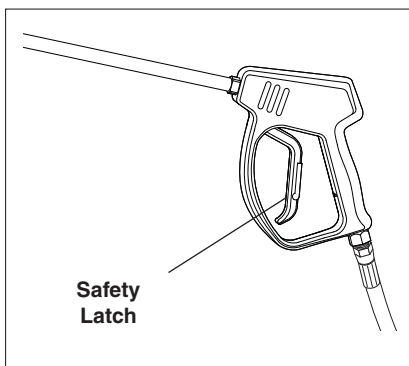


**STEP 8:** Turn the engine switch to "On" position.

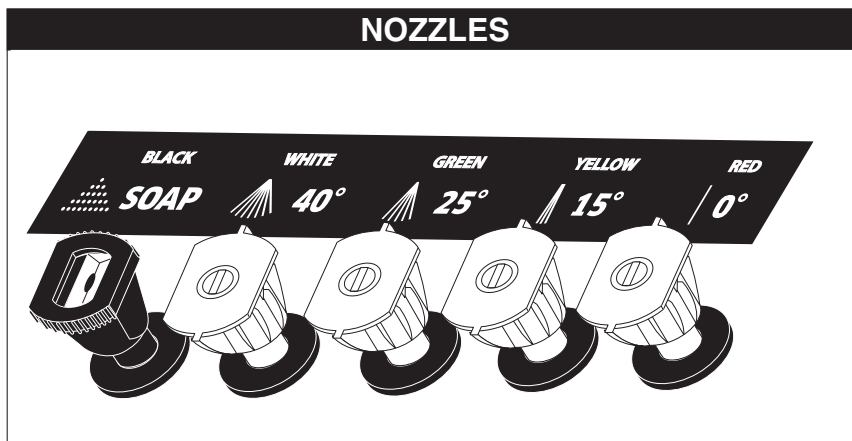


**STEP 9:** Pull the starter grip. If the engine fails to start after 2 pulls, squeeze the trigger gun to release pressure and repeat step. Return starter gently. After the engine warms up enough to run smoothly, move choke to run position and throttle to fast position.

**CAUTION:** Small engines may kick back. Do not hold pull starter grip tightly in hand.



**⚠ WARNING!** Never replace nozzles without engaging the safety latch on the spray gun trigger.



The four color-coded quick connect nozzles provide a wide array of spray widths from 0° to 40° and are easily accessible when placed in the convenient rubber nozzle holder, which is provided on the front of the machine.

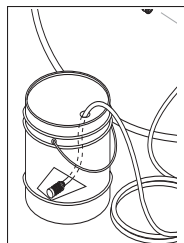
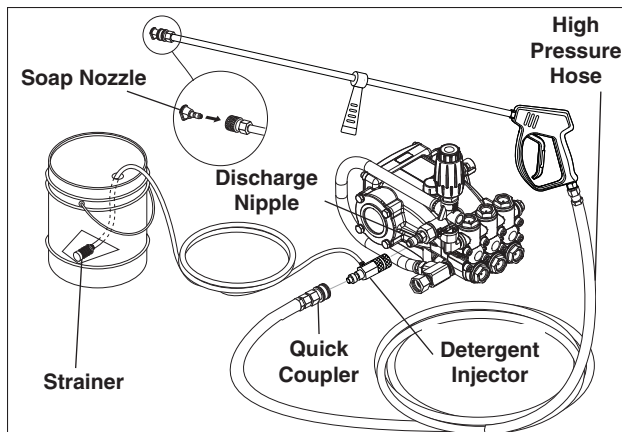
**NOTE:** For a more gentle rinse, select the white 40° or green 25° nozzle. To scour the surface, select the yellow 15° or red 0° nozzle. To apply detergent select the black nozzle.

## DETERGENT AND GENERAL CLEANING TECHNIQUES



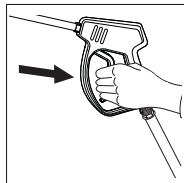
**WARNING:** Some detergents may be harmful if inhaled or ingested, causing severe nausea, fainting or poisoning. The harmful elements may cause property damage or severe injury.

**STEP 1:** Connect the optional detergent injector to discharge nipple on machine. Connect high pressure hose to injector with quick coupler. (Check to make sure locking coupler sleeves are in proper position before applying water pressure).



**STEP 2:** Use detergent designed specifically for pressure washers. Household detergents could damage the pump. Prepare detergent solution as required by manufacturer. Fill a container with pressure washer detergent. Place filter end of detergent suction tube into detergent container.

**STEP 3:** With safety latch on spray gun engaged, secure black detergent nozzle into quick coupler. **NOTE:** Detergent cannot be applied using red, yellow, green or white nozzles.



**STEP 4:** With the engine running, pull trigger to operate machine. Liquid detergent is drawn into the machine and mixed with water. Apply detergent to work area. Do not allow detergent to dry on surface.

**IMPORTANT:** You must flush the detergent injection system after each use by placing the suction tube into a bucket of clean water, then run the pressure washer in low pressure for 1-2 minutes.

## THERMAL PUMP PROTECTION

If you run the engine on your pressure washer for 1-2 minutes without pressing the trigger on the spray gun, circulating water in the pump can reach high temperatures. When the water reaches this temperature, the pump protector engages and cools the pump by discharging the warm water onto the ground. This thermal device prevents internal damage to the pump.

## CLEANING TIPS

Pre-rinse cleaning surface with fresh water. Place detergent suction tube directly into cleaning solution and apply to surface at low pressure (for best results, limit your work area to sections approximately 6 feet square and always apply detergent from bottom to top). Allow detergent to remain on surface 1-3 minutes. Do not allow detergent to dry on surface. If surface appears to be drying, simply wet down surface with fresh water. If needed, use brush to remove stubborn dirt. Rinse at high pressure from top to bottom in an even sweeping motion keeping the spray nozzle approximately 1 foot from cleaning surface. Use overlapping strokes as you clean and rinse any surface. For best surface cleaning action spray at a slight angle.

### Recommendations:

- Before cleaning any surface, an inconspicuous area should be cleaned to test spray pattern and distance for maximum cleaning results.
- If painted surfaces are peeling or chipping, use extreme caution as pressure washer may remove the loose paint from the surface.
- Keep the spray nozzle a safe distance from the surface you plan to clean. High pressure wash a small area, then check the surface for damage. If no damage is found, continue to pressure washing.

### **CAUTION - Never use:**

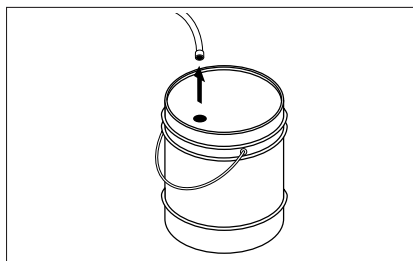
- Bleach, chlorine products and other corrosive chemicals
- Liquids containing solvents (i.e., paint thinner, gasoline, oils)
- Tri-sodium phosphate products
- Ammonia products
- Acid-based products

These chemicals will harm the machine and will damage the surface being cleaned.

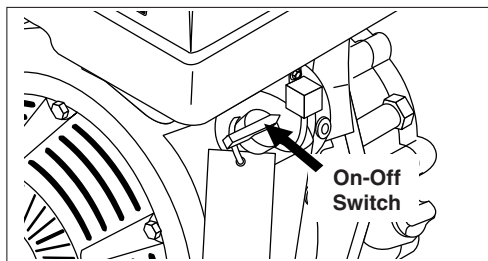
## RINSING

It will take a few seconds for the detergent to clear. Apply safety latch to spray gun. Remove black soap nozzle from the quick coupler. Select and install the desired high pressure nozzle. **NOTE:** You can also stop detergent from flowing by simply removing detergent siphon tube from bottle.

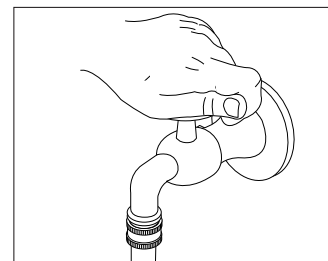
## SHUTTING DOWN AND CLEAN-UP



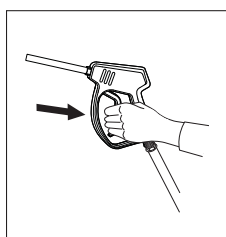
**STEP 1:** Remove detergent suction tube from container and insert into one gallon of fresh water. Slide nozzle forward for low pressure or to connect black detergent nozzle. Pull trigger on spray gun and siphon water for one minute.



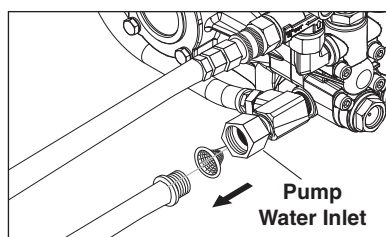
**STEP 2:** Turn off the engine.



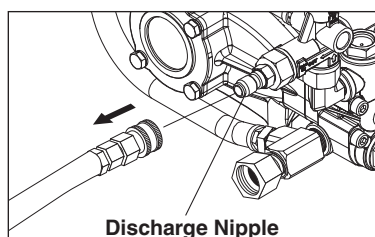
**STEP 3:** Turn off water supply.



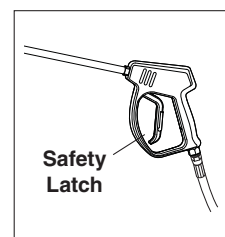
**STEP 4:** Press trigger to release water pressure.



**STEP 5:** Disconnect the garden hose from the water inlet on the machine.



**STEP 6:** Disconnect the high pressure hose from discharge nipple.



**STEP 7:** Engage the spray gun safety lock.

## STORAGE

**CAUTION:** Always store your pressure washer in a location where the temperature will not fall below 32°F (0°C). The pump in this machine is susceptible to permanent damage if frozen. **FREEZE DAMAGE IS NOT COVERED BY WARRANTY.**

1. Stop the pressure washer, squeeze spray gun trigger to release pressure.
2. Detach water supply hose and high pressure hose.
3. Turn on the machine for a few seconds, until remaining water exits. Turn engine off immediately.
4. Drain the gas and oil from the engine.
5. Do not allow high pressure hose to become kinked.
6. Store the machine and accessories in a room which does not reach freezing temperatures.

**CAUTION:** Failure to follow the above directions will result in damage to your pressure washer.

When the pressure washer is not being operated or is being stored for more than one month, follow these instructions:

1. Replenish engine oil to upper level.
2. Drain gasoline from fuel tank, fuel line, fuel valve and carburetor.
3. Pour about one teaspoon of engine oil through the spark plug hole, pull the starter grip several

times and replace the plug. Then pull the starter grip slowly until you feel increased pressure which indicates the piston is on its compression stroke and leave it in that position. This closes both the intake and exhaust valves to prevent rusting of cylinder.

4. Cover pressure washer and store in a clean, dry place that is well ventilated away from open flame or sparks. **NOTE:** The use of a fuel additive, such as STA-BIL®, or an equivalent, will minimize the formulation of fuel deposits during shortage. Such additives may be added to the gasoline in the fuel tank of the engine, or to gasoline in a storage container.

### After Extended Storage



**CAUTION:** Prior to restarting, thaw out any possible ice from pressure washer hoses, spray gun or wand.

### Engine Maintenance

During the winter months, rare atmospheric conditions may develop which will cause an icing condition in the carburetor. If this develops, the engine may run rough, lose power and may stall. This temporary condition can be overcome by deflecting some of the hot air from the engine over the carburetor area. **NOTE:** Refer to the engine manufacturer's manual for service and maintenance of the engine.

## TROUBLESHOOTING

For Models: HD 3.0/27 G, HD 3.4/35 G, HD 4.0/40 G, HD 4.0/40Ge

<b>PROBLEM</b>	<b>POSSIBLE CAUSE</b>	<b>SOLUTION</b>
<b>LOW OPERATING PRESSURE</b>	Insufficient water supply. Closed faucet. Inlet hose kinked	Use larger garden hose; clean inlet water screen. Open faucet.
	Clogged inlet hose strainer	Check plumbing system for leaks. Retape leaks with teflon tape.
	Faulty or mis-adjusted unloader valve	Adjust unloader for proper pressure. Install repair kit when needed. Call local distributor.
	Worn packing in pump	Call Dealer Customer Support.
	Machine has been stored in freezing temperatures	Thaw out machine completely, including hose, spray gun and wand.
	Slow engine RPM	Call local distributor.
<b>FLUCTUATING PRESSURE</b>	Worn or dirty pump valves	Call local distributor.
	Nozzle is obstructed	Blow out or remove debris with fine needle.
	Pump sucking air, inlet hose leaking	Check that all hoses and fittings are airtight. Turn off machine and trigger spray gun until a steady flow of water emerges through the nozzle.
	Insufficient water supply	Turn water on full force. Check garden hose for kinks, leaks or blockage.
<b>PRESSURE LOW AFTER PERIOD OF NORMAL USE</b>	Nozzle worn	Replace nozzle.
	Unloader valve worn	Replace unloader valve.
<b>ENGINE WILL NOT START OR STOPS WHILE OPERATING</b>	Low oil shutdown	Fill engine with oil.
	Out of gas	Fill fuel tank.
	Water in gasoline	Drain gas tank; fill with clean fuel.
<b>ENGINE IS OVERLOADED</b>	Nozzle partially blocked	Clean nozzle.
	Excessive pressure from high engine RPM	Adjust engine throttle to lower RPM.
<b>WATER OR OIL LEAKING FROM BOTTOM OF PUMP</b>	A small amount of leaking is normal	If excessive leaking occurs, call local distributor.
<b>PRESENCE OF WATER IN PUMP OIL</b>	Water sprayed at machine	Change oil. Direct spray away from machine.
	High humidity in air	Check and change oil twice as often.
	Piston packing worn. Oil seal worn.	Call local distributor.

## TROUBLESHOOTING

For Models: HD 3.0/27 G, HD 3.4/35 G, HD 4.0/40 G, HD 4.0/40Ge

PROBLEM	POSSIBLE CAUSE	SOLUTION
<b>ENGINE OPERATES FOR 15 MINUTES THEN STOPS</b>	Not enough gas or engine oil	Fill tank with gas. Check oil level.
	Vapor lock developed by heat of day	Keep gas tank full to avoid vapor locking.
	Obstruction in fuel filter	Clean or replace fuel filter.
<b>ENGINE LACKS POWER</b>	Dirty air filter	Replace air filter.
<b>ENGINE FALTERS</b>	Choke is opened too soon	Move choke to halfway position until engine runs smoothly.
<b>WATER DRIPPING FROM UNDER PUMP</b>	Piston packing worn	Call local distributor.
	O-Ring plunger retainer worn	Call local distributor.
	Cracked piston	Call local distributor.
<b>OIL DRIPPING FROM UNDER PUMP</b>	Oil seal worn or damaged	Call local distributor.
<b>WATER LEAKING FROM PUMP PROTECTOR</b>	Spray gun closed with machine running 5 minutes or longer	Open spray gun or turn off machine.
	Excess water supply pressure	Place a pressure regulator at end of 50' garden hose.
<b>NO DETERGENT</b>	Detergent suction tube not properly connected to machine	Check connection.
	Detergent is too thick	Dilute detergent. For best results, use manufacturers detergent.
	Detergent filter valve is at lowest setting	Set detergent filter valve to a higher setting.
	Filter on detergent suction tube is clogged	Run warm water through filter to remove debris.
	Damaged or clogged detergent suction tube	Remove obstruction or replace detergent suction tube.
	A high pressure nozzle is attached.	Replace with black detergent nozzle.
	Discharge nozzle is obstructed	Blow out or remove debris with fine needle.
<b>GARDEN HOSE CONNECTION LEAKS</b>	Loose fittings	Tighten fittings.
	Missing/worn rubber washer	Insert new washer.
<b>SPRAY WAND LEAKS</b>	Spray wand not properly attached	Slide the spray wand into the gun. Turn the wand collar clockwise onto the spray gun threads until tight.
	Broken o-ring	Call local distributor and order an o-ring.
<b>PUMP IS NOISY</b>	Pump is sucking air	Check that hoses and fittings are air tight. Turn off machine and purge pump by squeezing trigger gun until a steady flow of water emerges through nozzle.

# PREVENTATIVE MAINTENANCE

**For Models: HD 3.0/27 G, HD 3.4/35 G, HD 4.0/40 G, HD 4.0/40Ge**

This pressure washer was produced with the best available materials and quality craftsmanship. However, you as the owner have certain responsibilities for the correct care of the equipment. Attention to regular preventative maintenance procedures will assist in preserving the performance of your equipment. Contact your dealer for maintenance. Regular preventative maintenance will add many hours to the life of your pressure washer. Perform maintenance more often under severe conditions. Check pump oil and engine oil level before first use of your new pressure washer.

MAINTENANCE SCHEDULE		
Engine Oil	Inspect	Daily
	Change	First month or 20 hours. Every 100 hours or every 6 months after first month
	Filter	Every 50 hours
Air Cleaner/Filter	Inspect	Every 50 hours
	Clean	Monthly
Engine Fuel Filter		500 hours or 6 months
Spark Plug Maintenance		300 hours or annually
Clean Fuel Tank(s)		Annually
Replace Fuel Lines		Annually
Pump Oil	Inspect	Oil level daily
	Change	After first 50 hours, then every 500 hours or annually
Replace High Pressure Nozzle		Every 6 months
Replace Quick Connects/O-Rings		Annually/As needed
Clean Water Screen/Filter		Weekly
Replace HP Hose		Annually (if there are any signs of wear)

## TROUBLESHOOTING

For Models: HD3.0/27 GB, HD 3.3/35 GB, HD 4.0/40 GB, HD 4.0/40 GeB

PROBLEM	POSSIBLE CAUSE	SOLUTION
<b>LOW OPERATING PRESSURE</b>	Faulty pressure gauge	Install new gauge.
	Insufficient water supply	Use larger supply hose; clean filter at water inlet.
	Old, worn or incorrect spray nozzle	Match nozzle number to machine and/or replace with new nozzle.
	Belt slippage	Tighten or replace; use correct belt.
	Plumbing or hose leak	Check plumbing system for leaks. Re-tape leaks with teflon tape.
	Faulty or mis-adjusted unloader valve	Adjust unloader for proper pressure. Install repair kit when needed.
	Worn packing in pump	Install new packing kit.
	Fouled or dirty inlet or discharge valves in pump	Clean inlet and discharge valves.
	Worn inlet or discharge valves	Replace with valve kit.
	Obstruction in spray nozzle	Remove obstruction.
	Leaking pressure control valve	Rebuild or replace as needed.
	Slow engine RPM	Set engine speed at proper specifications.
	Pump sucking air	Check water supply and possibility of air seepage.
	Valves sticking	Check and clean or replace if necessary.
Unloader valve seat faulty	Check and replace if necessary.	
<b>FLUCTUATING PRESSURE</b>	Worn or dirty pump valves	Call local distributor.
	Nozzle is obstructed	Blow out or remove debris with fine needle.
	Pump sucking air, inlet hose leaking	Check that all hoses and fittings are airtight. Turn off machine and trigger spray gun until a steady flow of water emerges through the nozzle.
	Insufficient water supply	Turn water on full force. Check garden hose for kinks, leaks or blockage.
<b>PRESSURE LOW AFTER PERIOD OF NORMAL USE</b>	Nozzle worn	Replace nozzle.
	Unloader valve worn	Replace unloader valve.
<b>ENGINE WILL NOT START OR STOPS WHILE OPERATING</b>	Low oil shutdown	Fill engine with oil.
	Out of gas	Fill fuel tank.
	Water in gasoline	Drain gas tank; fill with clean fuel.
<b>ENGINE IS OVERLOADED</b>	Nozzle partially blocked	Clean nozzle.
	Excessive pressure from high engine RPM	Adjust engine throttle to lower RPM.



## TROUBLESHOOTING

For Models: HD3.0/27 GB, HD 3.3/35 GB, HD 4.0/40 GB, HD 4.0/40 GeB

PROBLEM	POSSIBLE CAUSE	SOLUTION
<b>WATER OR OIL LEAKING FROM BOTTOM OF PUMP</b>	A small amount of leaking is normal	If excessive leaking occurs, call local distributor.
<b>PRESENCE OF WATER IN PUMP OIL</b>	Water sprayed at machine	Change oil. Direct spray away from machine.
	High humidity in air	Check and change oil twice as often.
	Piston packing worn. Oil seal worn.	Call local distributor.
<b>ENGINE OPERATES FOR 15 MINUTES THEN STOPS</b>	Not enough gas or engine oil	Fill tank with gas. Check oil level.
	Vapor lock developed by heat of day	Keep gas tank full to avoid vapor locking.
	Obstruction in fuel filter	Clean or replace fuel filter.
<b>ENGINE LACKS POWER</b>	Dirty air filter	Replace air filter.
<b>ENGINE FALTERS</b>	Choke is opened too soon	Move choke to halfway position until engine runs smoothly.
<b>WATER DRIPPING FROM UNDER PUMP</b>	Piston packing worn	Call local distributor.
	O-Ring plunger retainer worn	Call local distributor.
	Cracked piston	Call local distributor.
<b>OIL DRIPPING FROM UNDER PUMP</b>	Oil seal worn or damaged	Call local distributor.
<b>WATER LEAKING FROM PUMP PROTECTOR</b>	Spray gun closed with machine running 5 minutes or longer	Open spray gun or turn off machine.
	Excess water supply pressure	Place a pressure regulator at end of 50' garden hose.
<b>NO DETERGENT</b>	Detergent suction tube not properly connected to machine	Check connection.
	Detergent is too thick	Dilute detergent. For best results, use manufacturers detergent.
	Detergent filter valve is at lowest setting	Set detergent filter valve to a higher setting.
	Filter on detergent suction tube is clogged	Run warm water through filter to remove debris.
	Damaged or clogged detergent suction tube	Remove obstruction or replace detergent suction tube.
	A high pressure nozzle is attached.	Replace with black detergent nozzle.
	Discharge nozzle is obstructed	Blow out or remove debris with fine needle.
<b>GARDEN HOSE CONNECTION LEAKS</b>	Loose fittings	Tighten fittings.
	Missing/worn rubber washer	Insert new washer.

## TROUBLESHOOTING

For Models: HD3.0/27 GB, HD 3.3/35 GB, HD 4.0/40 GB, HD 4.0/40 GeB

PROBLEM	POSSIBLE CAUSE	SOLUTION
SPRAY WAND LEAKS	Spray wand not properly attached	Slide the spray wand into the gun. Turn the wand collar clockwise onto the spray gun threads until tight.
	Broken o-ring	Call local distributor and order an o-ring.
PUMP IS NOISY	Pump is sucking air	Check that hoses and fittings are air tight. Turn off machine and purge pump by squeezing trigger gun until a steady flow of water emerges through nozzle.

## PREVENTATIVE MAINTENANCE

HD3.0/27 GB, HD 3.5/35 GB, HD 4.0/40 GB, HD 4.0/40 GeB

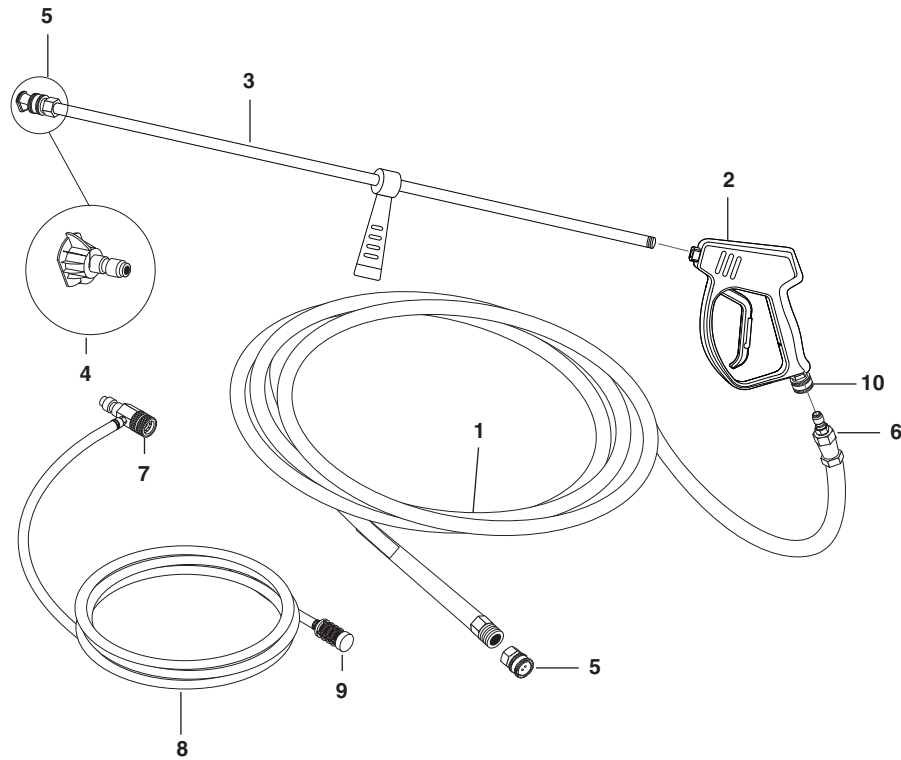
This pressure washer was produced with the best available materials and quality craftsmanship. However, you as the owner have certain responsibilities for the correct care of the equipment. Attention to regular preventative maintenance procedures will assist in preserving the performance of your equipment. Contact your dealer for maintenance. Regular preventative maintenance will add many hours to the life of your pressure washer. Perform maintenance more often under severe conditions. Check pump oil and engine oil level before first use of your new pressure washer.

### MAINTENANCE SCHEDULE

Engine Oil	Inspect	Daily
	Change	First month or 20 hours. Every 100 hours or every 6 months after first month
	Filter	Every 50 hours
Air Cleaner/Filter	Inspect	Daily
	Clean	Every 3 months or 50 hours
Engine Fuel Filter		500 hours or 6 months
Spark Plug Maintenance	Inspect	Every 6 months or 100 hours
	Change	Every year or 300 hours
Clean Fuel Tank(s)		Annually
Pump Oil	Inspect	Oil level daily
	Change	After first 50 hours, then every 500 hours or annually (or 3 months)
Replace High Pressure Nozzle		Every 6 months
Replace Quick Connects		Annually
Clean Water Screen/Filter		Weekly
Replace HP Hose		Annually (if there are any signs of wear)
Belts*	Tighten	Every 6 months
	Inspect/Replace	Every 6 months

**\*Note:** When servicing belts, don't exceed 14 lb-ft on pump mounting screws. Failure to do so will cause pump thread damage.

## ACCESSORIES ASSEMBLY



### ACCESSORIES ASSEMBLY PARTS LIST

ITEM	PART NO.	DESCRIPTION	QTY
1	8.916-740.0	Hose 3/8"X50	1
2	8.750-247.0	Gun, M407	1
3	8.783-039.0	Wand 30" Zinc Plated, Handle & Coupler (HD 3.0/27 G, HD 3.0/27 GB)	1
	8.783-040.0	Wand 44" Zinc Plated, Handle & Coupler (HD 3.4/35 G, HD 4.0/40 G, HD 4.0/40Ge, HD 3.3/35 GB, HD 4.0/40 GB, HD 4.0/40 GeB)	1
4	Quick Connect Nozzle Kit (3.5) (HD 3.0/27 G, HD 3.4/35 G and HD 3.3/35 GB)		
	8.712-337.0	▲ Nozzle, SAQCMEG, 0003.5, Red	1
	8.712-338.0	▲ Nozzle, SAQCMEG, 1503.5, Yellow	1
	8.712-339.0	▲ Nozzle, SAQCMEG, 2503.5, Green	1
	8.712-340.0	▲ Nozzle, SAQCMEG, 4003.5, White	1
	8.712-398.0	▲ Nozzle Compl, Qcem-6540 Brass (chem)	1
	Quick Connect Nozzle Kit (3.75) (HD3.0/27 GB)		
	9.804-627.0	▲ Nozzle, SAQCMEG, 000375, Red	1
	9.804-625.0	▲ Nozzle, SAQCMEG, 250375, Green.	1
	9.804-624.0	▲ Nozzle, SAQCMEG, 150375, Yellow.	1
	9.804-626.0	▲ Nozzle, SAQCMEG, 400375, White.	1
	8.712-398.0	▲ Nozzle Compl, Qcem-6540 Brass (chem)	1
	Quick Connect Nozzle Kit (4.0) (HD 4.0/40 G, HD 3.9/40 GB, HD 4.0/40 Ge, HD 4.0/40 GeB)		
	8.712-345.0	▲ nozzle, SAQCMEG 0004, Red	1
	8.712-346.0	▲ nozzle, SAQCMEG 1504, Yellow	1
	8.712-347.0	▲ nozzle, SAQCMEG 2504, Green	1
	8.712-348.0	▲ nozzle, SAQCMEG 4004, White	1
	8.712-398.0	▲ Nozzle Compl, Qcem-6540 Brass (chem)	1
5	9.802-166.0	Coupler, 3/8" Female, Brass	1
6	9.802-170.0	Coupler, 3/8"plug, female, steel/zinc	1
7	9.802-216.0	Injector, Chem, 0.083	1
8	6.388-216.0	Hose DN 5	1
9	5.731-652.0	Filter with weight	1
10	9.802-169.0	Coupler, 3/8" Socket, Male, Brass	1

▲ Not Shown

# OIL CHANGE RECORD

Check pump oil and engine oil level before first use of your new pressure washer.

Date Oil Changed Month/Day/Year	Estimated Operating Hours Since Last Oil Change

Date Oil Changed Month/Day/Year	Estimated Operating Hours Since Last Oil Change

KNA, Inc. 4555 Airport Way Denver, CO 80239

Form #9.801-759.0 • Revised 11/15 • Printed in U.S.A. or Mexico