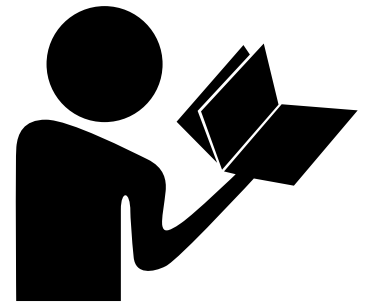
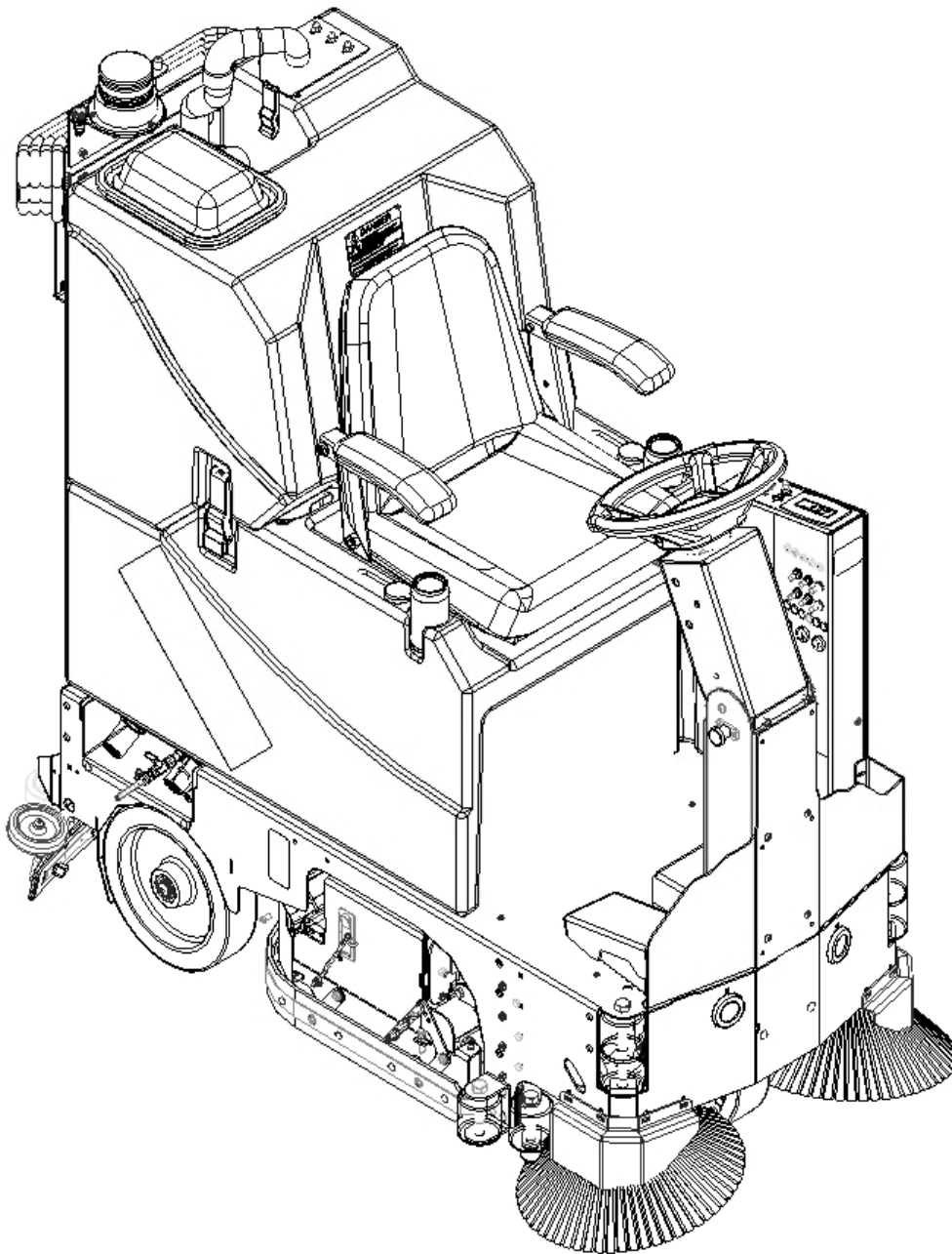


FACTORYCAT®



★ Handmade In USA - Since 1986 ★

Parts Manual (EN)



Read Operation Instructions
before using the machine.



Read the Safety Messages
before using the machine.

Scan With Phone for more Information

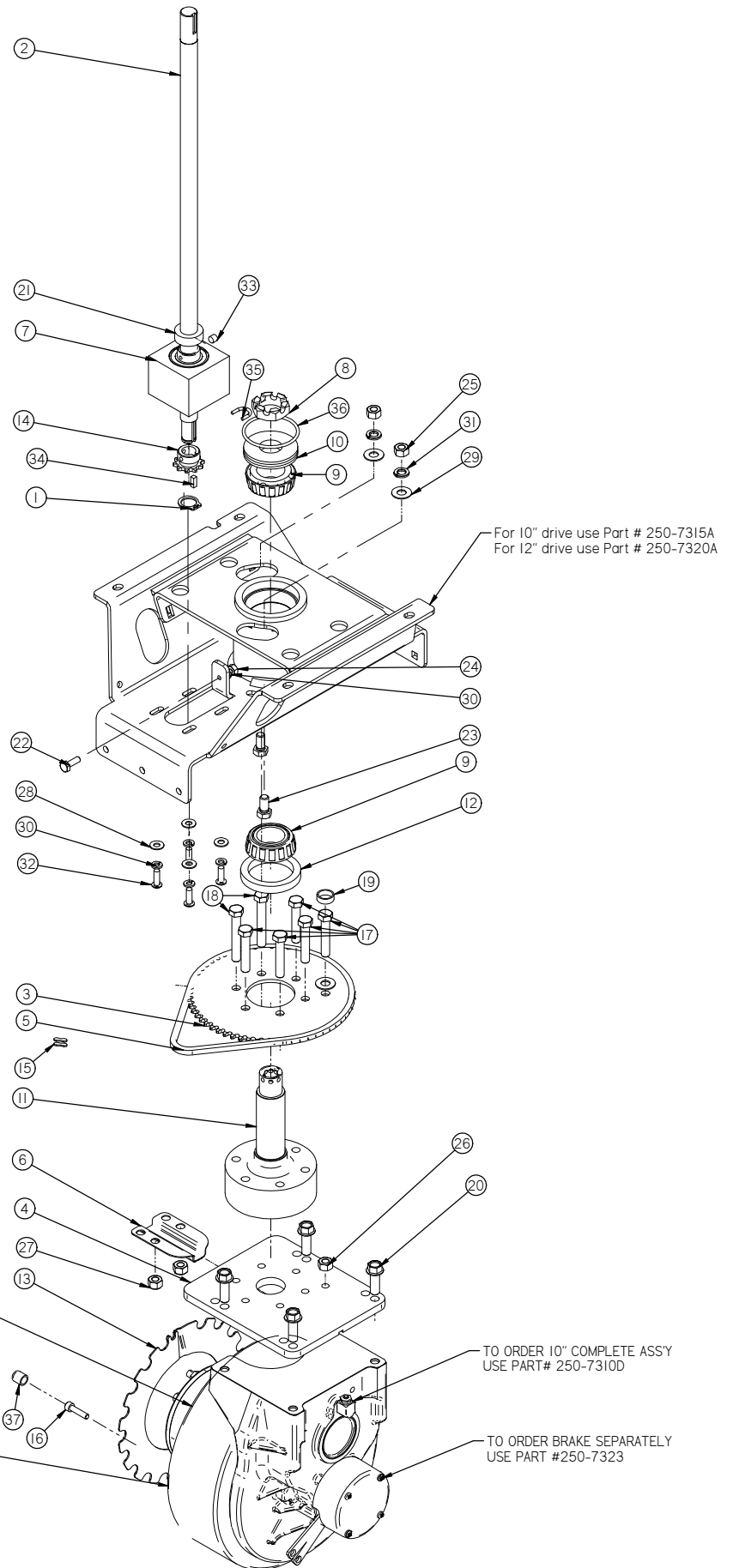


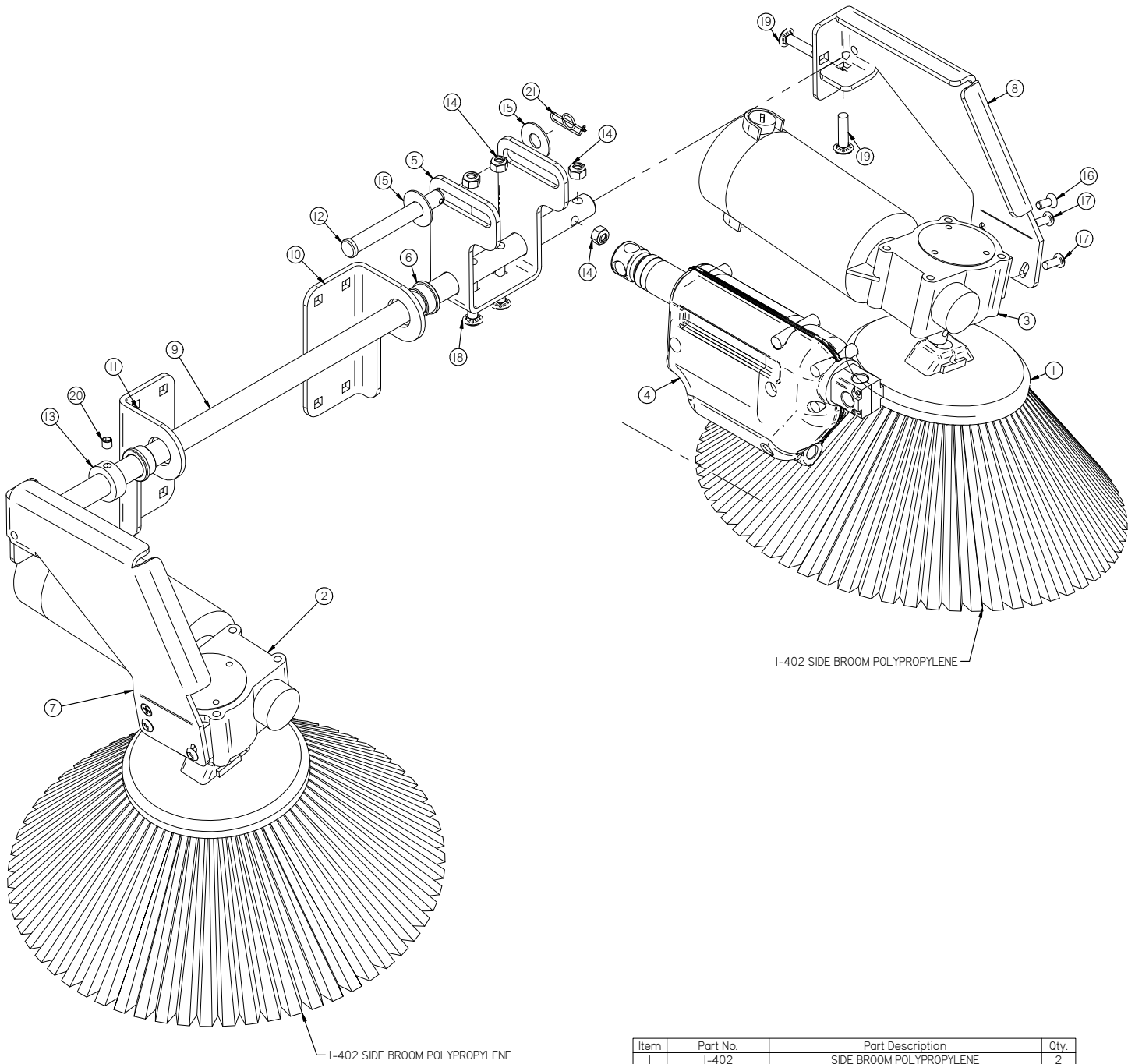
www.factorycat.com
1711 South Street
Racine, WI 53404 (USA)
(800) 634-4060 | (+001) 262-681-3583
© 2018 RPS Corporation

V18.248
FC-GTX-P-EN

Front Wheel Drive.....	4
Side Brooms	5
Front Wheel, Side Brooms, and Side Rollers	6
Attaching Decks.....	8
Disk Shrouds	9
Disk Decks.....	10
Cylindrical Decks	12
Cylindrical Wipers.....	14
Cylindrical Doors	15
Squeegee Trail Arm - Standard	16
Squeegee Trail Arm - Pivot (Optional).....	17
Squeegee Assembly.....	18
Attaching Squeegee Trail Arm, Bumper, & Axle	19
Solution System.....	20
ZERO3 System	21
Suds System	22
Solution Tank	23
Recovery Tank.....	24
Rear Options	25
Vacuum Motor Assembly	26
Attaching Tanks & Batteries.....	27
Central Command	28
Central Command	29
Steering Column.....	30
Attaching Steering Column & Central Command	31
34" Disk & 33" Cylindrical Doors	32
28" Disk, 30" Disk & 29" Cylindrical Doors	33
26" Disk & 25" Cylindrical Doors	34
Common Wear Parts	35
Tank Stickers	37
Central Command Stickers.....	38

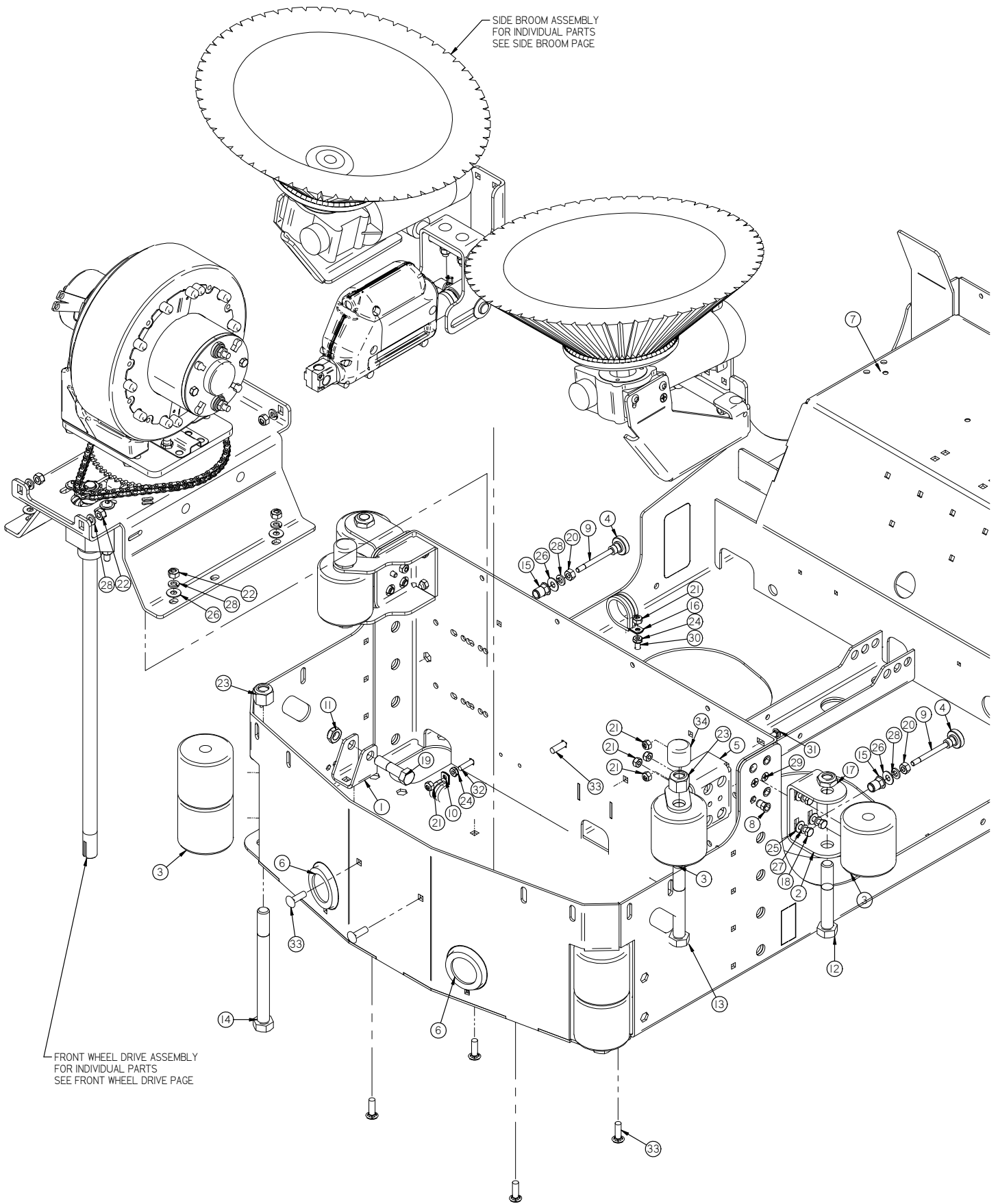
Item	Part No.	Part Description	Qty.
1		SNAPRING	1
2	250-7120	STEERING SHAFT, LOWER	1
3	250-7314	60 TOOTH STEERING SPROCKET	1
4	250-7326	PIVOT PLATE	1
5	250-7327	STEERING CHAIN	1
6	250-7328	WIRE GUIDE	1
7	349-7230A	BEARING BLOCK W/BEARINGS	1
8	37-7321	SLOTTED NUT, 2.0 - 12	1
9	370-7317	TAPERED ROLLER BEARING	2
10	370-7321	PRE LOAD SLEEVE	1
11	370-7332	1.25" DIA. STEERING SPINDLE	1
12	370-8374	BEARING SEAL	1
13	370-9557	DRIVE GUARD	2
14	5-826	10 TOOTH SPROCKET	1
15	5-831	MASTER LINK	1
16	H-0135920	SHC M6-1 X 25 ZINK	10
17	H-0172949	HCS 3/8"- 24 X 2" SS FULL THREADED	5
18	H-0172951	HCS 3/8"- 24 X 2-1/2" SS FULL THREADED	2
19	H-05233	PVC TUBING	1
20	H-11115680	FB CASHD M10-1.5 X 30mm	4
21	H-33376	SHAFT COLLAR, 3/4" ID X 9/16 LG	1
22	H-70003	HCS 1/4"-20 X 3/4" SS	1
23	H-70103	HCS 3/8"-16 X 3/4" SS	2
24	H-70710	HN 1/4"- 20 SS	1
25	H-70712	HN 3/8"-16 SS	2
26	H-70732	HN 3/8"- 24 SS	1
27	H-70882	NYLOK 3/8"- 24 SS	2
28	H-71013	FW 1/4 ID X 5/8 OD SS	4
29	H-71017	FW 3/8 ID X 7/8 OD SS	3
30	H-71063	LW 1/4" SS	5
31	H-71067	LW 3/8" SS	2
32	H-73754	BHSCS 1/4 - 20 X 3/4" SS	4
33	H-81983	5/16" X 1/4" KURL SET SCREW	1
34	H-K1432	3/16" X 1/2" KEY	1
35	M-9381T24	S-HOOK	1
36	M-9452K66	1.25 X 2.25 X 2.5 O-RING,par	1
37	M-9753K16	VINYL CAP, 1/2"	10





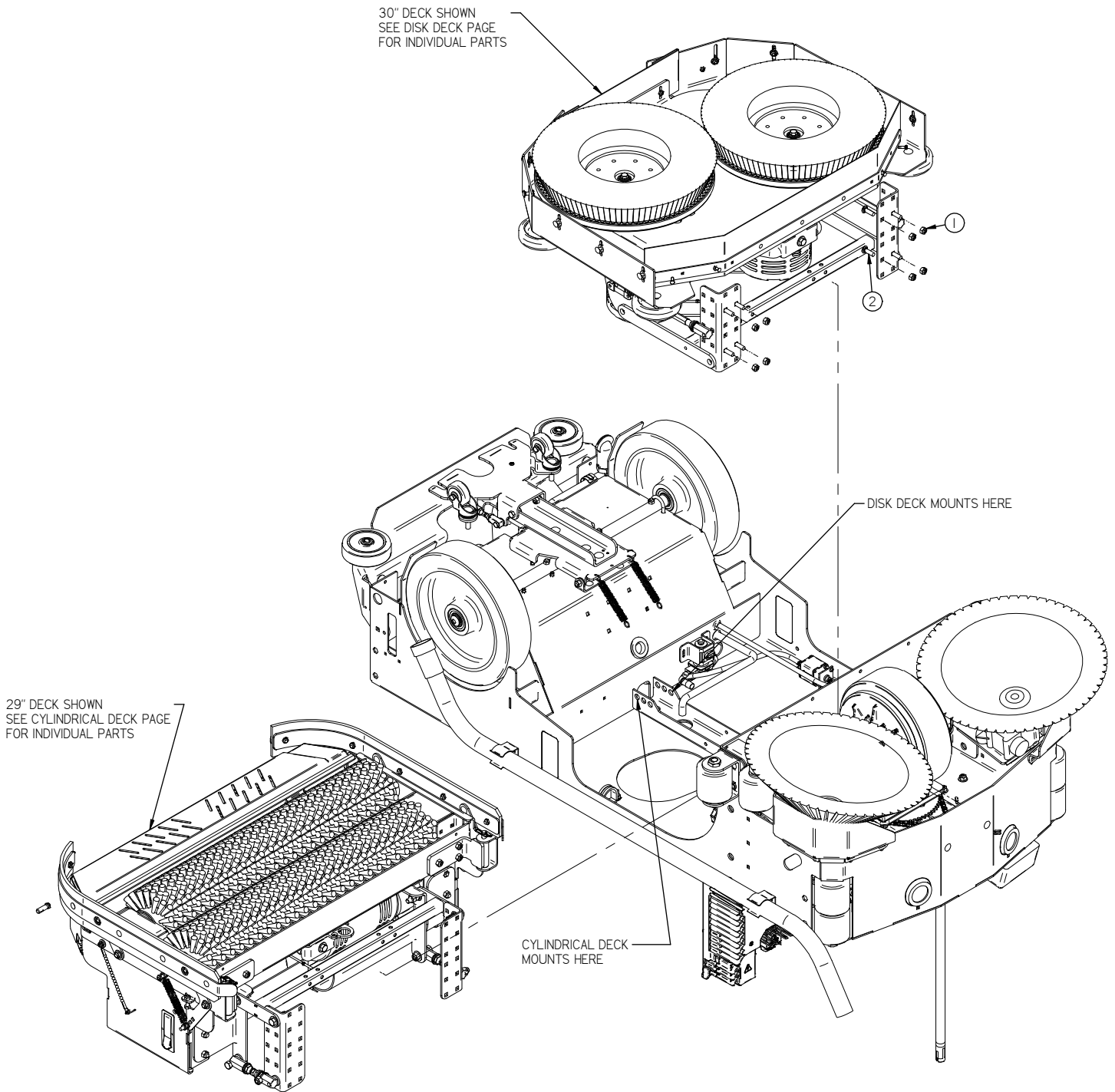
Item	Part No.	Part Description	Qty.
1	1-402	SIDE BROOM POLYPROPYLENE	2
2	250-0220	IRHI SIDE BROOM MOTOR, 36V 106 RPM	1
3	250-0222	ILHI SIDE BROOM MOTOR, 36V 106 RPM (44.1)	1
4	250-2240	2" STROKE 36V ACTUATOR 450 LB LOAD	1
5	370-4422	SIDE BROOM PIVOT	1
6	4-4230	3/4" X 1" X 1/2" FLG BEARING	2
7	600-4420	IRHI GTX SIDE BROOM LIFT ARM	1
8	600-4421	ILHI GTX SIDE BROOM LIFT ARM	1
9	600-4620	SIDE BROOM AXLE SHAFT	1
10	650-4630	SIDE BROOM AXLE BRACKET (ILHI)	1
11	650-4631	SIDE BROOM AXLE BRACKET (IRHI)	1
12	H-0156777	1/2" X 4" CLEVIS PIN	1
13	H-33376	SHAFT COLLAR, 3/4" ID X 9/16 LG	2
14	H-70861	NYLOK 5/16" - 18 SS	6
15	H-71021	FW 1/2 ID X 1-1/4 OD SS	2
16	H-72706	FHP 1/4" - 20 X 5/8" SS	2
17	H-73753	BHSCS 1/4 - 20 X 5/8" SS	4
18	H-74401	CB 5/16" - 18 X 1-3/4" SS	2
19	H-74431	CB 5/16" - 18 X 1-1/4" SS	4
20	H-81983	5/16" X 1/4" KURL SET SCREW	2
21	H-RUE22	1/2" RUE RING COTTER	1

Front Wheel, Side Brooms, and Side Rollers



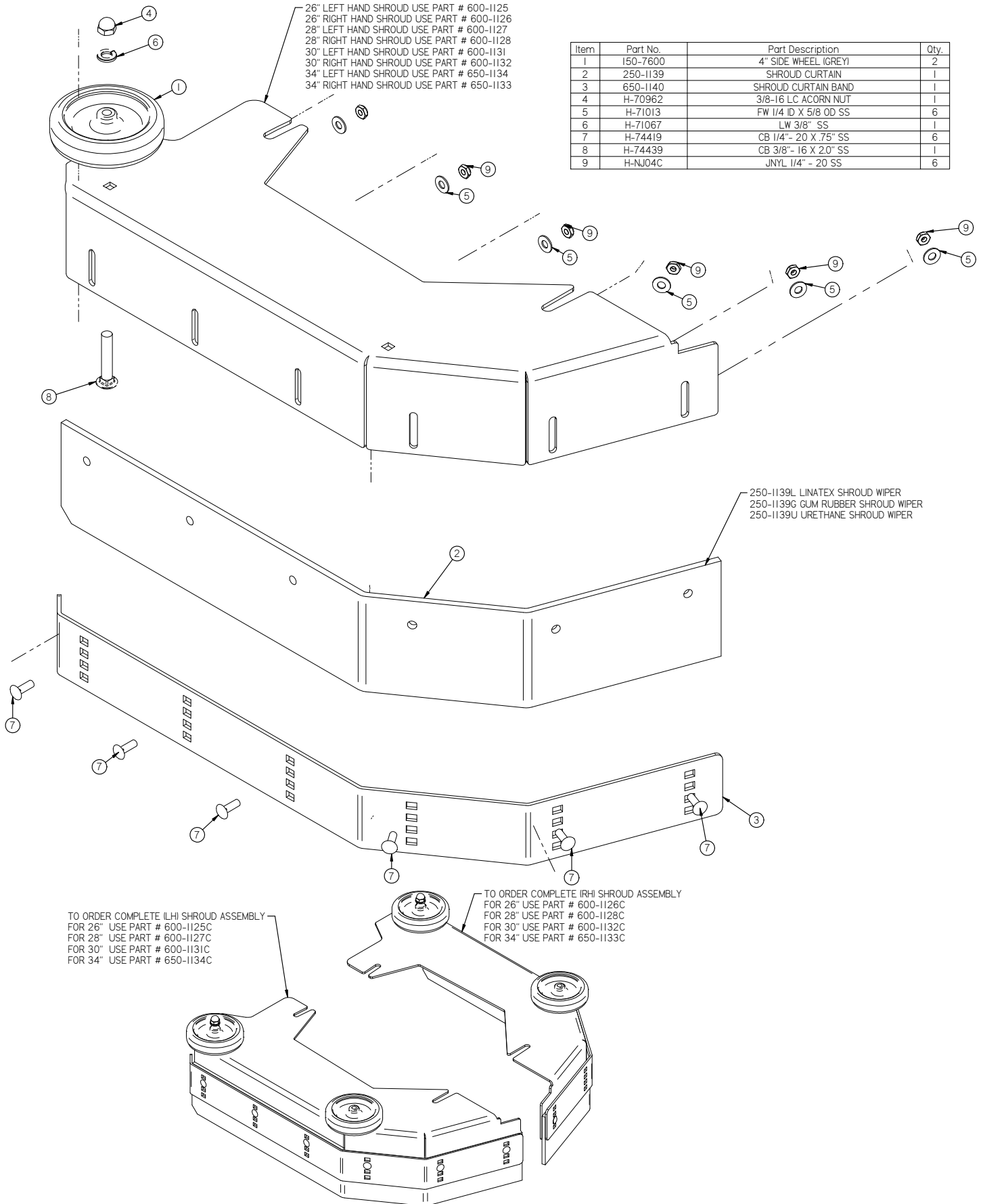
Front Wheel, Side Brooms, and Side Rollers

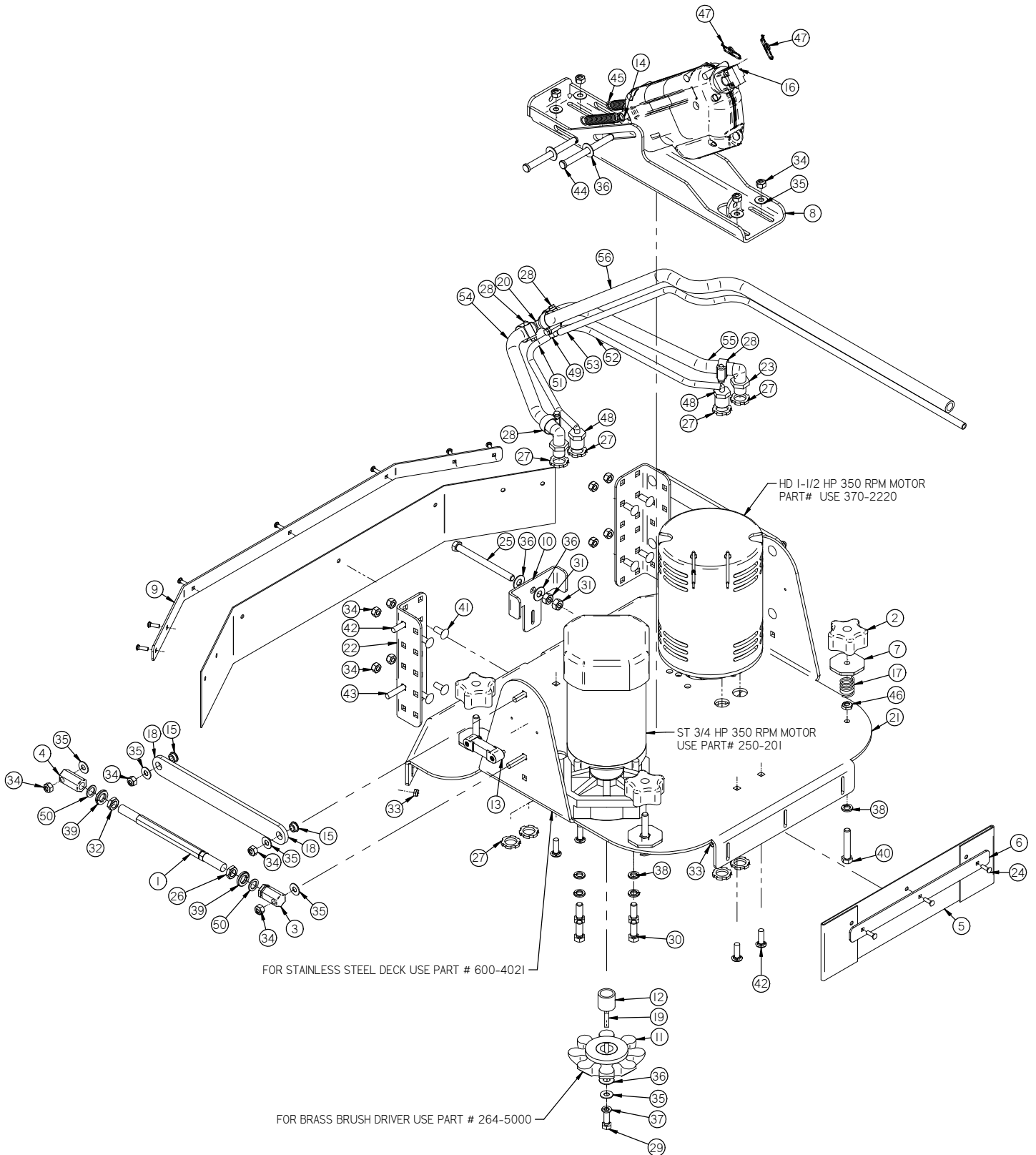
Item	Part No.	Part Description	Qty.
1	I50-1006	LIFTING BRACKET	1
2	21-1126	ROLLER BRACKET	2
3	21-1127	ROLLER	8
4	4-457	ADJUSTMENT KNOB	2
5	500-1028	LOWER ROLLER BRACKET	2
6	500-2910	HEAD LIGHT	2
7	600-1100	MAIN FRAME	1
8	H-00918	HCN 1/4"-20 LG	7
9	H-01205	SHCS 5/16-18 X 2-1/2 SS	2
10	H-0127294	3/4" LOOP CLAMP	1
11	H-0129159	JNYL, 1/2"-13, 18-8 SS	1
12	H-11319	HB 5/8"- 11 X 4"	2
13	H-11321	HB 5/8"- 11 X 4 1/2"	2
14	H-13327	HB 5/8"- 11 X 7"	2
15	H-312HCN	HCN 5/16"-18	2
16	H-3225T	1-1/2" LOOP CLAMP	1
17	H-37038	JNYL 5/8"- 11	2
18	H-70003	HCS 1/4"-20 X 3/4" SS	8
19	H-70211	HCS 1/2"-13 X 2.0" SS	1
20	H-70711	HN 5/16"- 18 SS	2
21	H-70860	NYLOK 1/4"- 20 SS	9
22	H-70861	NYLOK 5/16" - 18 SS	7
23	H-70866	NYL 5/8"- 11	3
24	H-70925	KN 1/4"-20 S/S	2
25	H-71013	FW 1/4 ID X 5/8 OD SS	7
26	H-71015	FW 5/16 ID X 3/4 OD SS	5
27	H-71063	LW 1/4" SS	7
28	H-71065	LW 5/16" SS	9
29	H-72708	FHP 1/4"- 20 X 3/4"	4
30	H-72710	FHP 1/4"- 20 X 1" SS	1
31	H-74419	CB 1/4"- 20 X .75" SS	5
32	H-74420	CB 1/4"- 20 X 1.0" SS	1
33	H-74430	CB 5/16"- 18 X 1" SS	9
34	M-9267K47	15/16" HEX CAP	2



Item	Part No.	Part Description	Qty.
1	H-70861	NYLOK 5/16" - 18 SS	8
2	H-74430	CB 5/16" - 18 X 1" SS	8

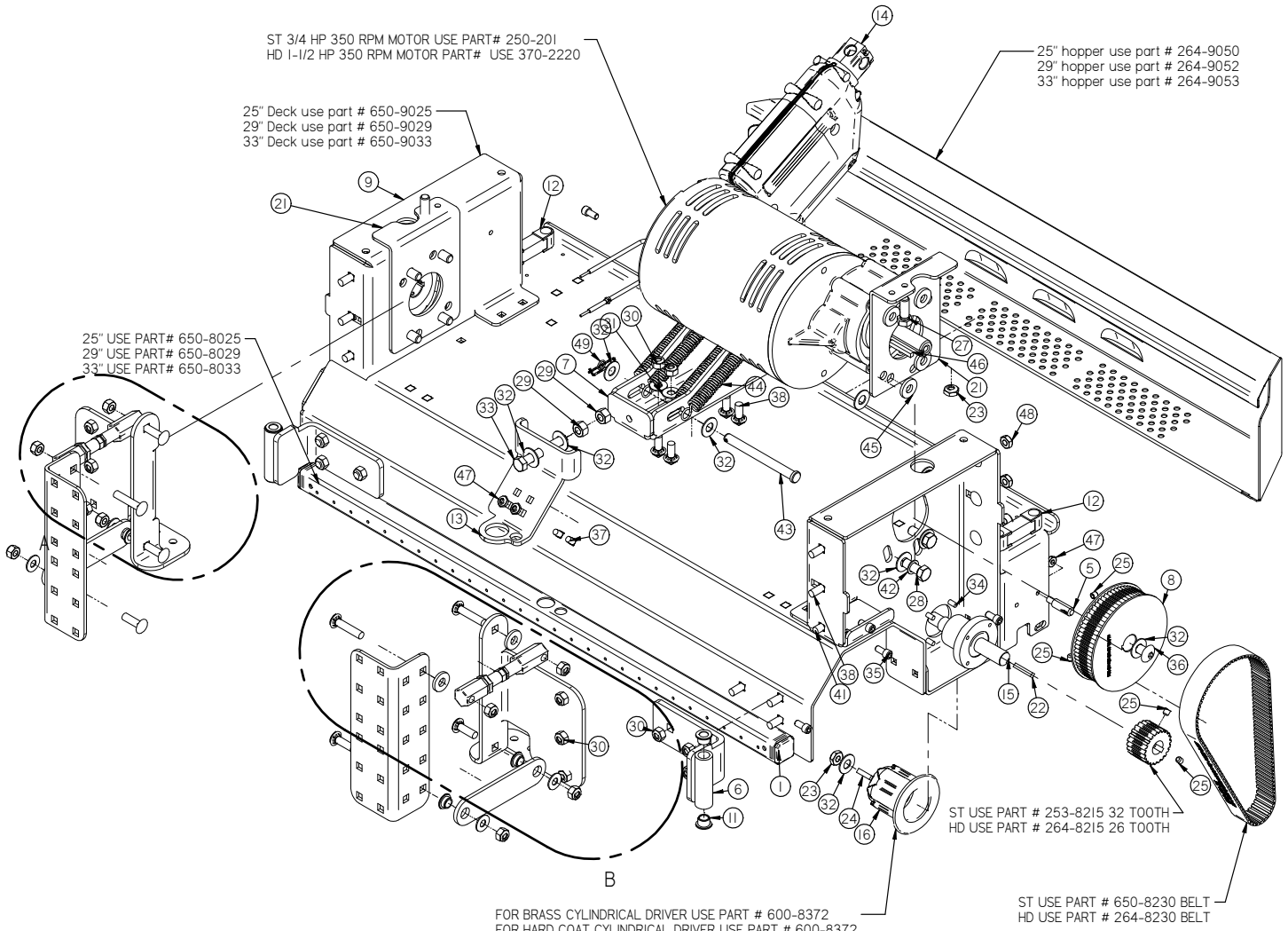
Disk Shrouds



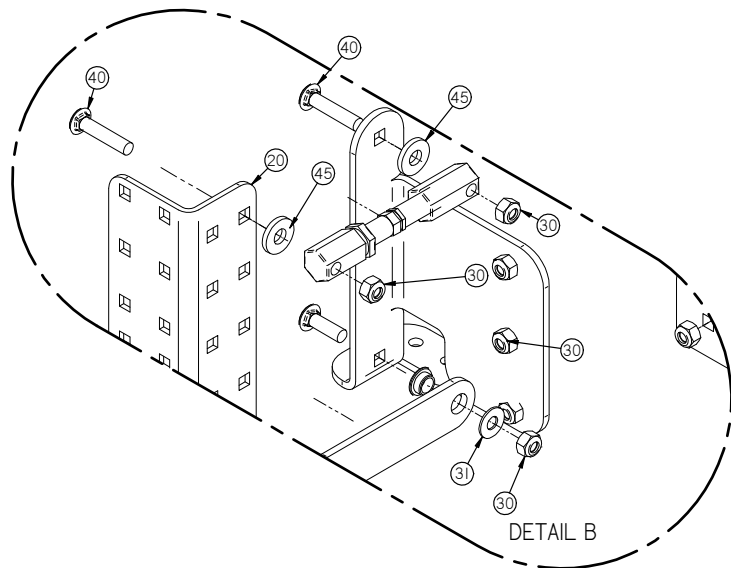
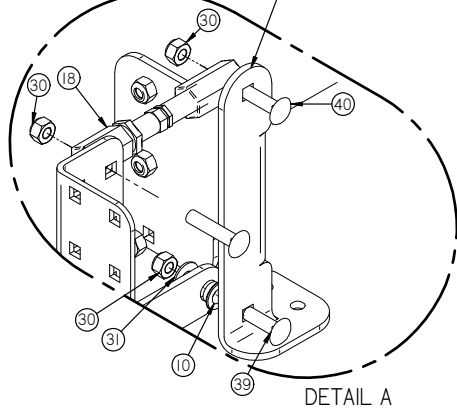


Disk Decks

Item	Part No.	Part Description	Qty.
1	10-00-01	10" ADJUSTABLE LATERAL ARM BODY	2
2	150-5786	STAR KNOB, 3/8-16 THREAD	4
3	150-9583	ADJUSTABLE ROD END (LH THREAD)	2
4	150-9584	ADJUSTABLE ROD END (RH TREAD)	2
5	250-1078	26/30 REAR DECK CURTAIN	1
6	250-1081	26/30 REAR CURTAIN BAND	1
7	250-1084	SHROUD ADJUSTMENT KNOB	4
8	250-1103	DISK SCRUB DECK BRACKET	1
9	250-1124	29" FRONT CURTAIN BAND	1
10	250-4022	DISK DECK HEIGHT ADJUSTMENT	1
11	264-5003	BRUSH DRIVER ROUNDED TOOTH	2
12	264-5005	DRIVER SPACER	2
13	300-4030	LEVEL	2
14	370-1081	SLEEVE BEARING	1
15	370-1247	BUSHING 5/16 X 1/2 X 3/16	4
16	370-2210	4" STROKE 36V ACTUATOR 450 LB LOAD	1
17	4-386	LIFT LEVER SPRING	4
18	5-124	LATERAL ARM	2
19	5-431	1/4" X 1" KEY	2
20	5-446	1/2" PLASTIC BARB TEE	1
21	600-4020	28"-30" SCRUB DECK	1
22	650-1265	SCRUB ARM BRACKET	2
23	7-248	5/8 BARB TO 1/2 NPT ELBOW	2
24	H-0172519	CB #10-32 X 5/8" SS	10
25	H-0172940	HCS 3/8"- 24 X 4.5" SS	1
26	H-0175075	LH HX JAM .50-20 SS	2
27	H-07005	1/2" NPT LOCKNUT	8
28	H-081	CLAMP 1.0"- 1-1/8" SS	5
29	H-70055	HCS 5/16"- 18 X 1" SS	2
30	H-70105	HCS 3/8"- 16 X 1" SS	8
31	H-70712	HN 3/8"-16 SS	2
32	H-70834	HX JAM .50-20 SS	2
33	H-70858	NYLOK #10-32 SS	10
34	H-70861	NYLOK 5/16" - 18 SS	20
35	H-71015	FW 5/16 ID X 3/4 OD SS	14
36	H-71017	FW 3/8 ID X 7/8 OD SS	8
37	H-71065	LW 5/16" SS	2
38	H-71067	LW 3/8" SS	12
39	H-71071	LW 1/2" SS	4
40	H-71190	HCS 3/8"- 16 X 2-1/2" SS (FULLY THREADED)	4
41	H-74429	CB 5/16"- 18 X 3/4" SS	8
42	H-74430	CB 5/16"- 18 X 1" SS	8
43	H-74432	CB 5/16"- 18 X 1-1/2" SS	4
44	H-923903	3/8" X 4" CLEVIS PIN	2
45	H-96544	SPRING, 4-1/8" LG X 9/16" OD (42E)	2
46	H-NJ06C	JNYL 3/8- 16 SS	4
47	H-RUE14	3/8" RUE RING COTTER	2
48	M-5463K494	1/2 NPT X 1/4" BARB ELBOW	2
49	M-5463K606	1/4" X 1/4" PLASTIC BARBED TEE	1
50	M-98126A739	SHIM, 1/2" ID X 3/4" OD X 1/16" THICK, S/S	1
51	T-025B6000	BULK 1/4" ID X 5' BLUE ZERO HOSE	1
52	T-025B6000	BULK 1/4" ID X 5' BLUE ZERO HOSE	1
53	T-025B6000	BULK 1/4" ID X 5' BLUE ZERO HOSE	1
54	T-050R6000	BULK 1/2" ID X 5' WIRE REINFORCED SOLUTION HOSE	1
55	T-050R6000	BULK 1/2" ID X 5' WIRE REINFORCED SOLUTION HOSE	1
56	T-050R6000	BULK 1/2" ID X 5' WIRE REINFORCED SOLUTION HOSE	1



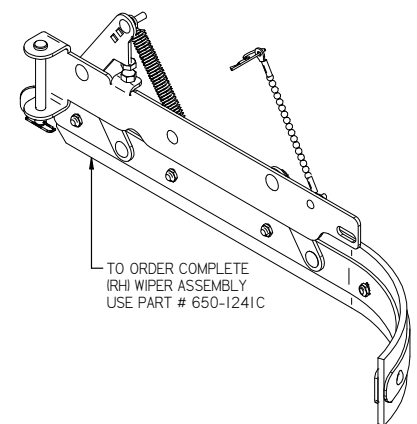
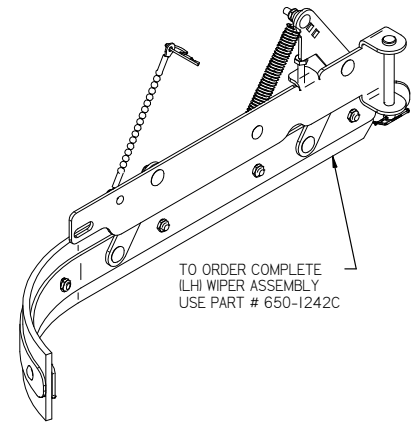
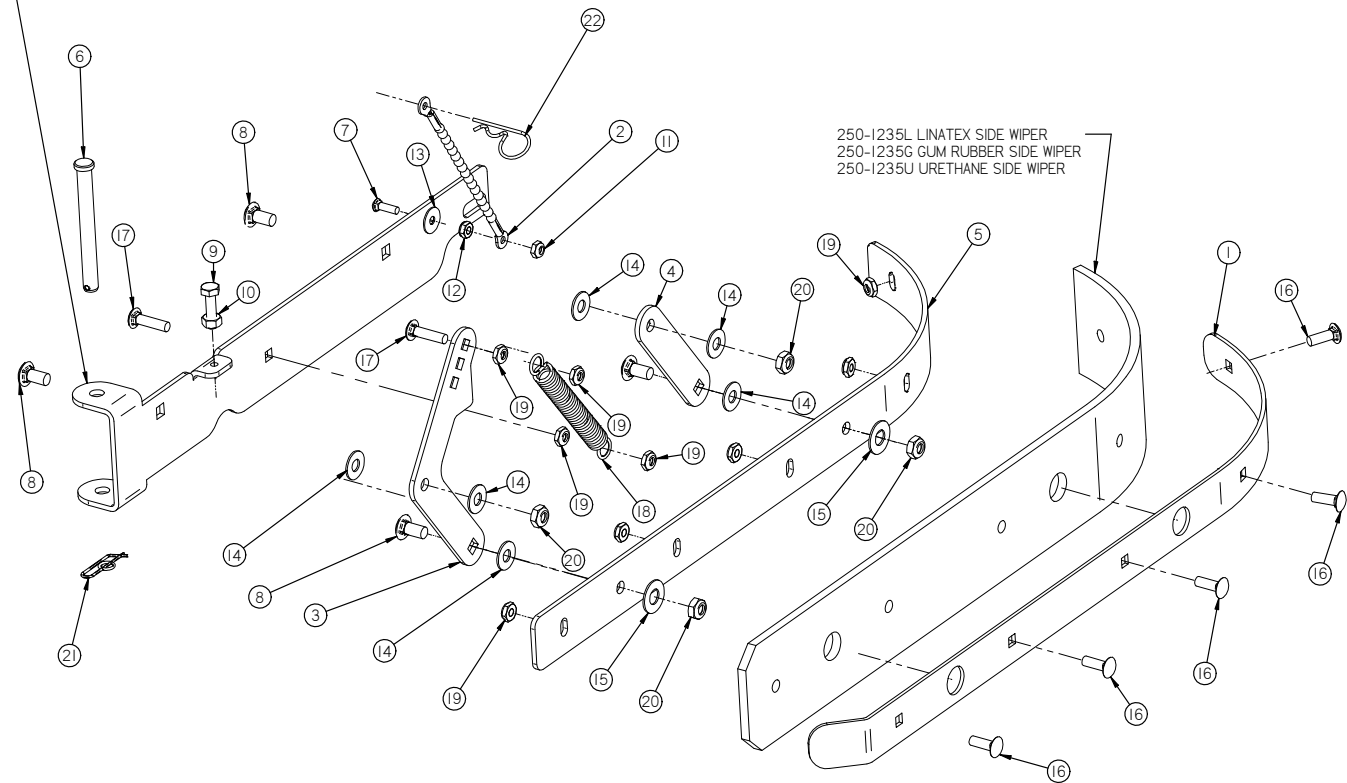
25" bracket use part # 600-1272 (RH)
 25" bracket use part # 600-1273 (LH)
 29" bracket use part # 600-1274 (RH)
 29" bracket use part # 600-1275 (LH)
 33" bracket use part # 600-1276 (RH)
 33" bracket use part # 600-1277 (LH)



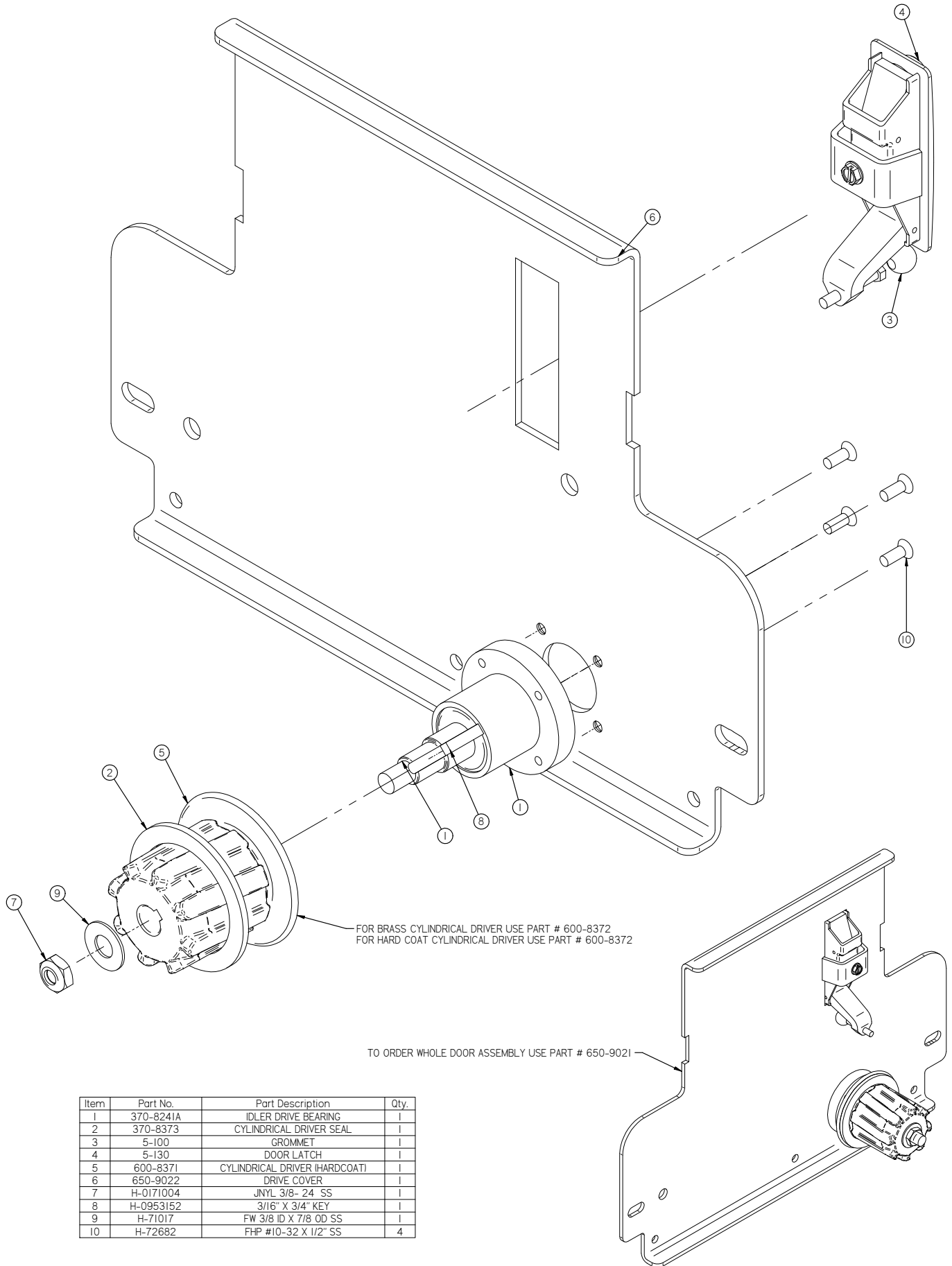
Cylindrical Decks

Item	Part No.	Part Description	Qty.
1			1
2*	175-8420	ADJUSTABLE LATERAL ARM BODY	1
3*	175-9052	29" HOPPER	1
4*	175-9584	ADJUSTABLE ROD END IRH TREADI	1
5	250-0001	RETAINER PIN	2
6	250-1230	SHROUD HINGE	2
7	250-9003	CYLINDRICAL LIFTING BRACKET	1
8	253-8225	TIMING SPROCKET 68 TOOTH	2
9	264-9029	CYLINDRICAL BRUSHHEAD 29"	1
10	290-1233	3/8" ID, 1/2" OD, 1/4" LG BEARING	4
11	290-1245	3/8" ID, 1/2" OD, 3/8" LG, FLANGE BEARING	4
12	300-4030	LEVEL	2
13	370-1237	SOLUTION FEED BRACKET	1
14	370-2240	2" STROKE 36V ACTUATOR 450 LB LOAD	1
15	370-8240A	BEARING HOUSING/BEARING	2
16	370-8370	BRUSH IDLER	2
17*	370-9002	MOTOR SHIELD	2
18	4-25	6.25"ADJUSTABLE LATERAL ARM	2
19*	600-9585	CYL. LATERAL ARM	2
20	650-1265	SCRUB ARM BRACKET	2
21	650-9002	MOTOR ADJ BRACKET	2
22	H-01125	3/16" X 1" KEY	2
23	H-0171004	JNYL 3/8- 24 SS	4
24	H-0953152	3/16" X 3/4" KEY	2
25	H-25379	SETSCREW, KCP, 1/4"-20 X 1/4"	8
26*	H-70003	HCS 1/4"-20 X 3/4" SS	2
27	H-70055	HB 5/16"- 18 X 1" SS	2
28	H-70105	HCS 3/8"- 16 X 1" SS	8
29	H-70712	HN 3/8"-16 SS	2
30	H-70861	NYLOK 5/16"- 18 SS	24
31	H-71015	FW 5/16 ID X 3/4 OD SS	14
32	H-71017	FW 3/8 ID X 7/8 OD SS	18
33	H-71190	HCS 3/8"- 16 X 2-1/2" SS (FULLY THREADED)	1
34	H-72682	FHP #10-32 X 1/2" SS	8
35	H-73459	SHCS 1/4-20 X 1/2 SS	8
36	H-73811	BHSCS 3/8"- 16 X 1/2" SS	2
37	H-74417	CB 1/4"- 20 X .5" SS	2
38	H-74429	CB 5/16"- 18 X 3/4" SS	14
39	H-74430	CB 5/16"- 18 X 1" SS	4
40	H-74432	CB 5/16"- 18 X 1-1/2" SS	4
41	H-744??	CB 5/16"- 18 X 1/2" SS	8
42	H-90895	WASHER, SERRATED BELLEVILLE, 3/8", S/S	8
43	H-923903	3/8" X 4" CLEVIS PIN	2
44	H-96544	SPRING, 4-1/8" LG, 9/16 OD, (42E)	4
45	H-98025	FW 3/8" GRADE 8	12
46	H-K14320	3/16" X 1 1/4" KEY	2
47	H-NJ04C	JNYL 1/4" - 20 SS	4
48	H-NJ05C	JNYL 5/16"- 18 SS	6
49	H-RUE14	3/8" RUE RING COTTER	2

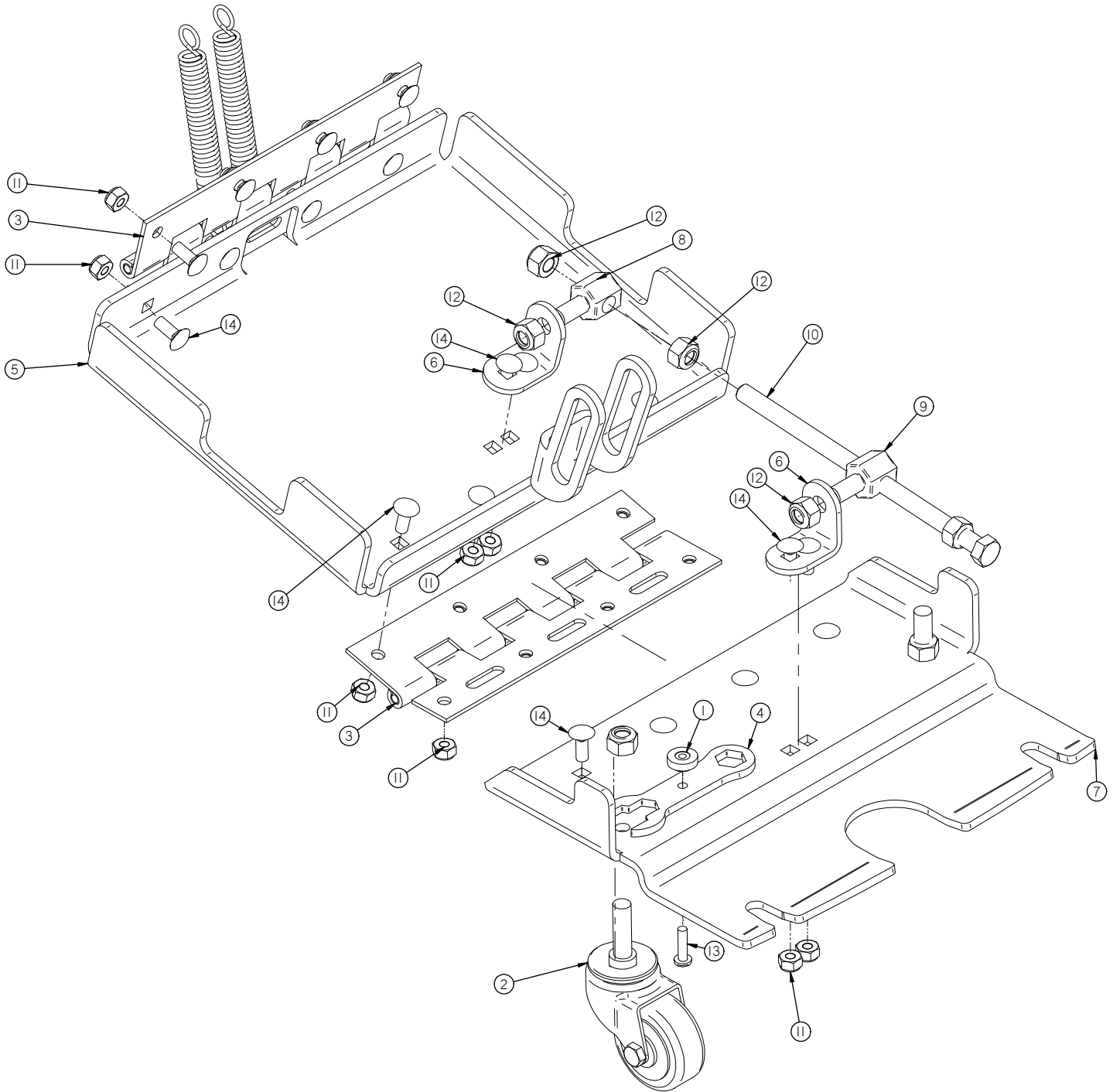
LH WIPER HORIZONTAL ARM USE PART # 650-1242
RH WIPER HORIZONTAL ARM USE PART # 650-1241



Item	Part No.	Part Description	Qty.
1	250-1236	WIPER BAND	1
2	370-4060	6" LANYARD	1
3	650-1243	SHROUD VERTICAL ARM	1
4	650-1244	WIPER VERTICAL ARM	1
5	650-1245	SHROUD SIDE	1
6	H-0156758	3/8" X 3-1/2" CLEVIS PIN	1
7	H-0172519	CB #10-32 X 5/8" SS	1
8	H-0172526	CB 5/16"- 18 X 5/8" SS	4
9	H-70005	HCS 1/4"- 20 X 1" SS	1
10	H-70710	HN 1/4"- 20 SS	1
11	H-70858	NYLOK #10-32 SS	1
12	H-70923	KN #10-32 SS	1
13	H-71010	FW #10 ID X 11/16 OD SS	1
14	H-71015	FW 5/16 ID X 3/4 OD SS	6
15	H-71017	FW 3/8 ID X 7/8 OD SS	2
16	H-74419	CB 1/4"- 20 X .75" SS	5
17	H-74420	CB 1/4"- 20 X 1.0" SS	2
18	H-96544	SPRING, 4-1/8" LG X 9/16" OD (42E)	1
19	H-NJ04C	JNYL 1/4" - 20 SS	9
20	H-NJ05C	JNYL 5/16"- 18 SS	4
21	H-RUE14	3/8" RUE RING COTTER	1
22	M-92391A044	HAIRPIN, 5/16" - 3/8" X 1-7/16" S/S	1

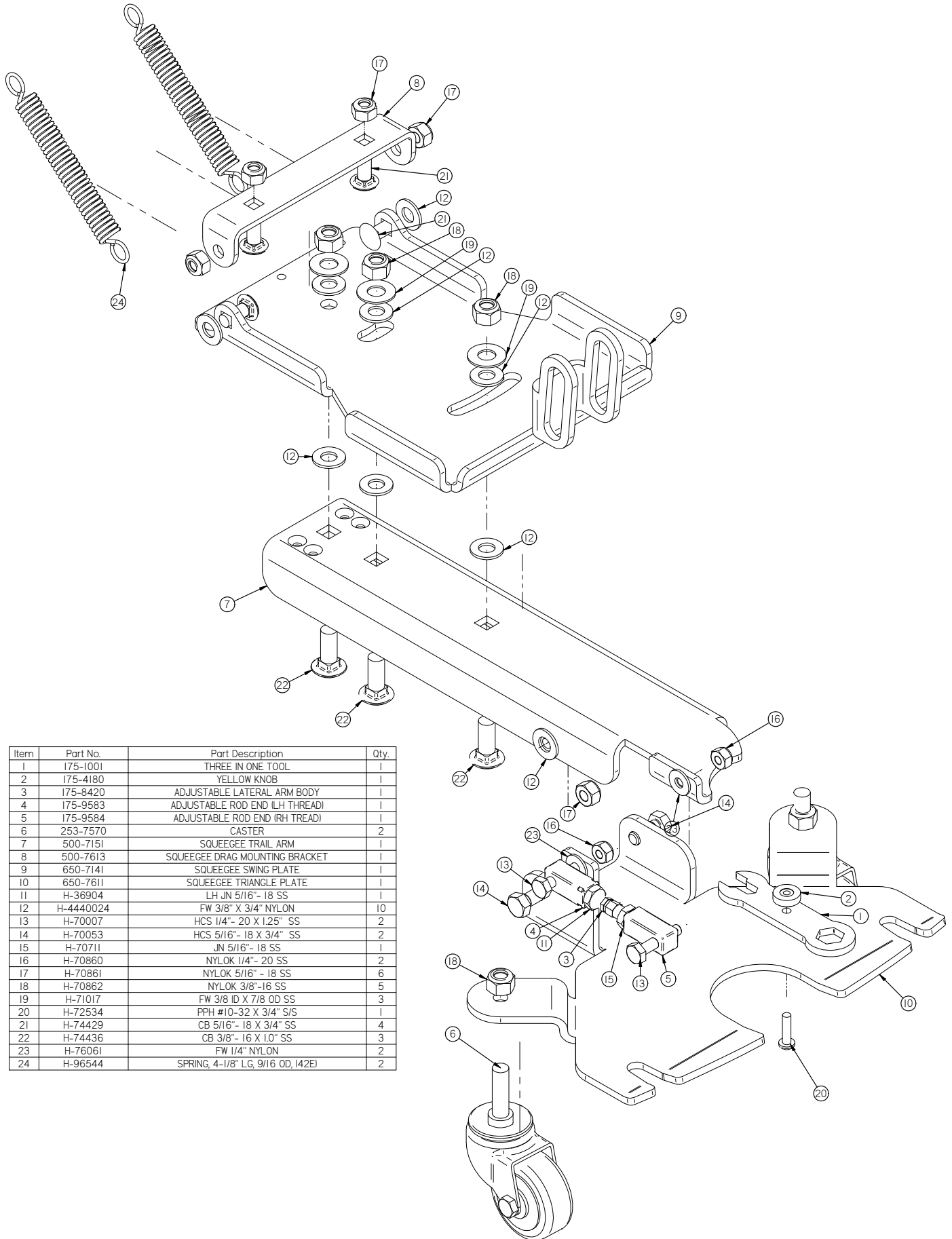


Item	Part No.	Part Description	Qty.
1	370-8241A	IDLER DRIVE BEARING	1
2	370-8373	CYLINDRICAL DRIVER SEAL	1
3	5-100	GROMMET	1
4	5-130	DOOR LATCH	1
5	600-8371	CYLINDRICAL DRIVER (HARDCOAT)	1
6	650-9022	DRIVE COVER	1
7	H-0171004	JNYL 3/8- 24 SS	1
8	H-0953152	3/16" X 3/4" KEY	1
9	H-71017	FW 3/8 ID X 7/8 OD SS	1
10	H-72682	FHP #10-32 X 1/2" SS	4

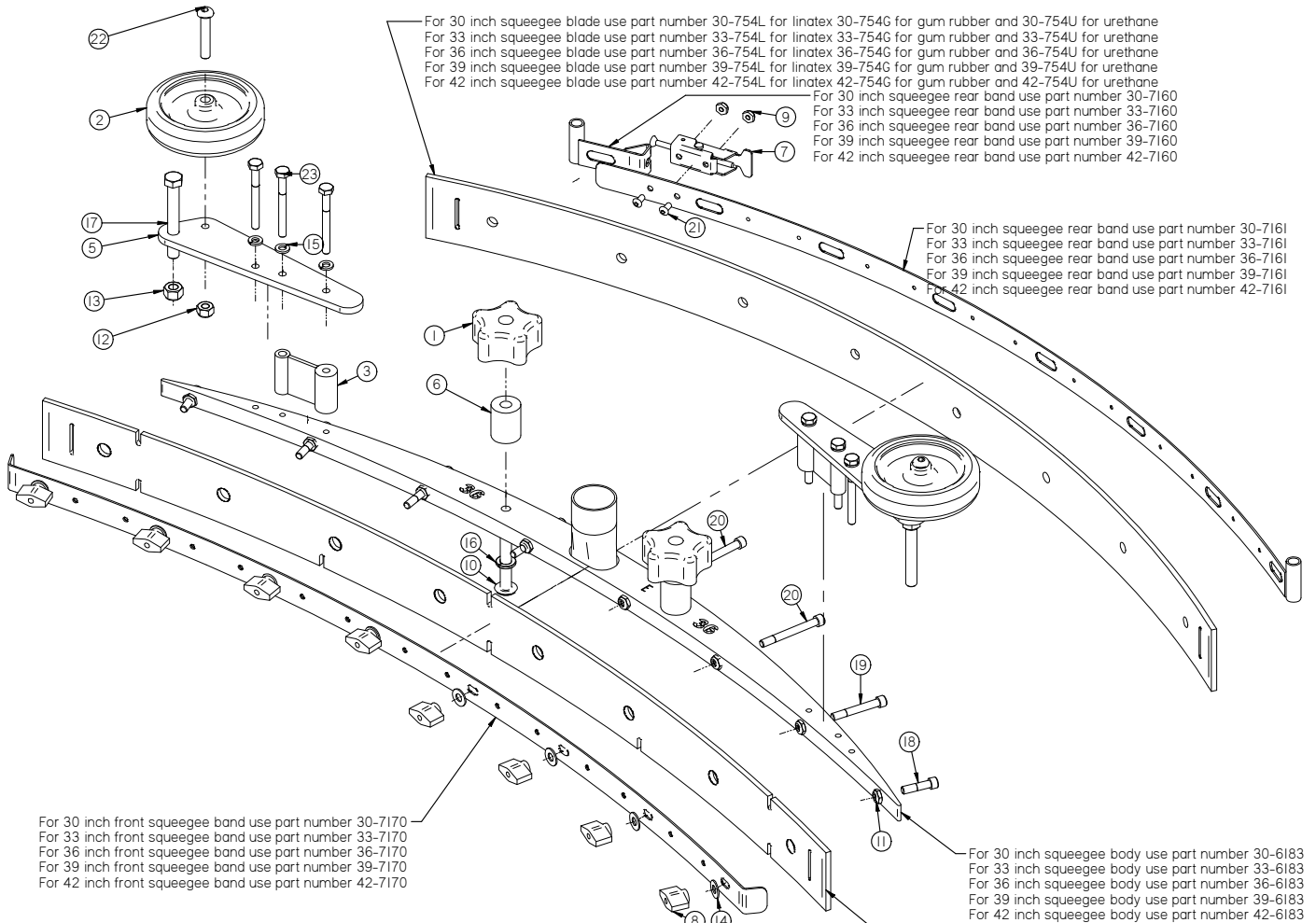


Item	Part No.	Part Description	Qty.
1	175-4180	YELLOW KNOB	1
2	253-7570	CASTER	2
3	5-122	8" SS HINGE	2
4	650-1001	THREE IN ONE TOOL	1
5	650-7143	SQUEEGEE LIFT PLATE	1
6	650-7608	SQUEEGEE ADJ. BRACKET	2
7	650-7609	SQUEEGEE TRIANGLE PLATE	1
8	650-9583	ADJUSTABLE ROD END ANCHOR	1
9	650-9584	THREADED ADJUSTABLE ROD END	1
10	H-0172941	HCS 3/8"- 16 X 5" FULL THREAD SS	1
11	H-70860	NYLOK 1/4"- 20 SS	17
12	H-70862	NYLOK 3/8"-16 SS	7
13	H-72534	PPH #10-32 X 3/4" S/S	1
14	H-74418	CB 1/4"- 20 X 5/8" S/S	19
15	H-96544	SPRING, 4-1/8" LG, 9/16 OD, I42E	2

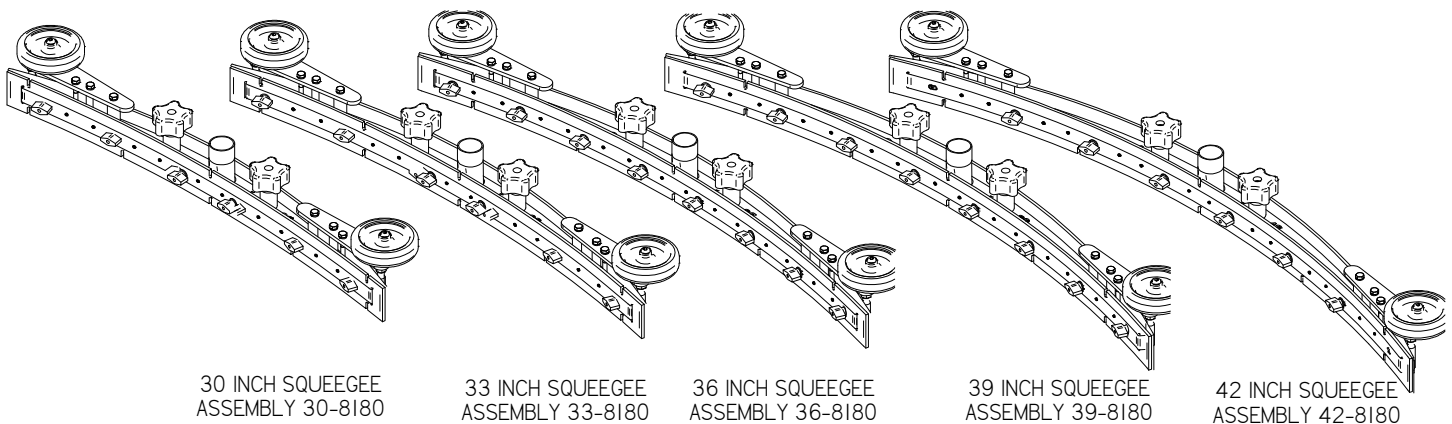
Squeegee Trail Arm - Pivot (Optional)



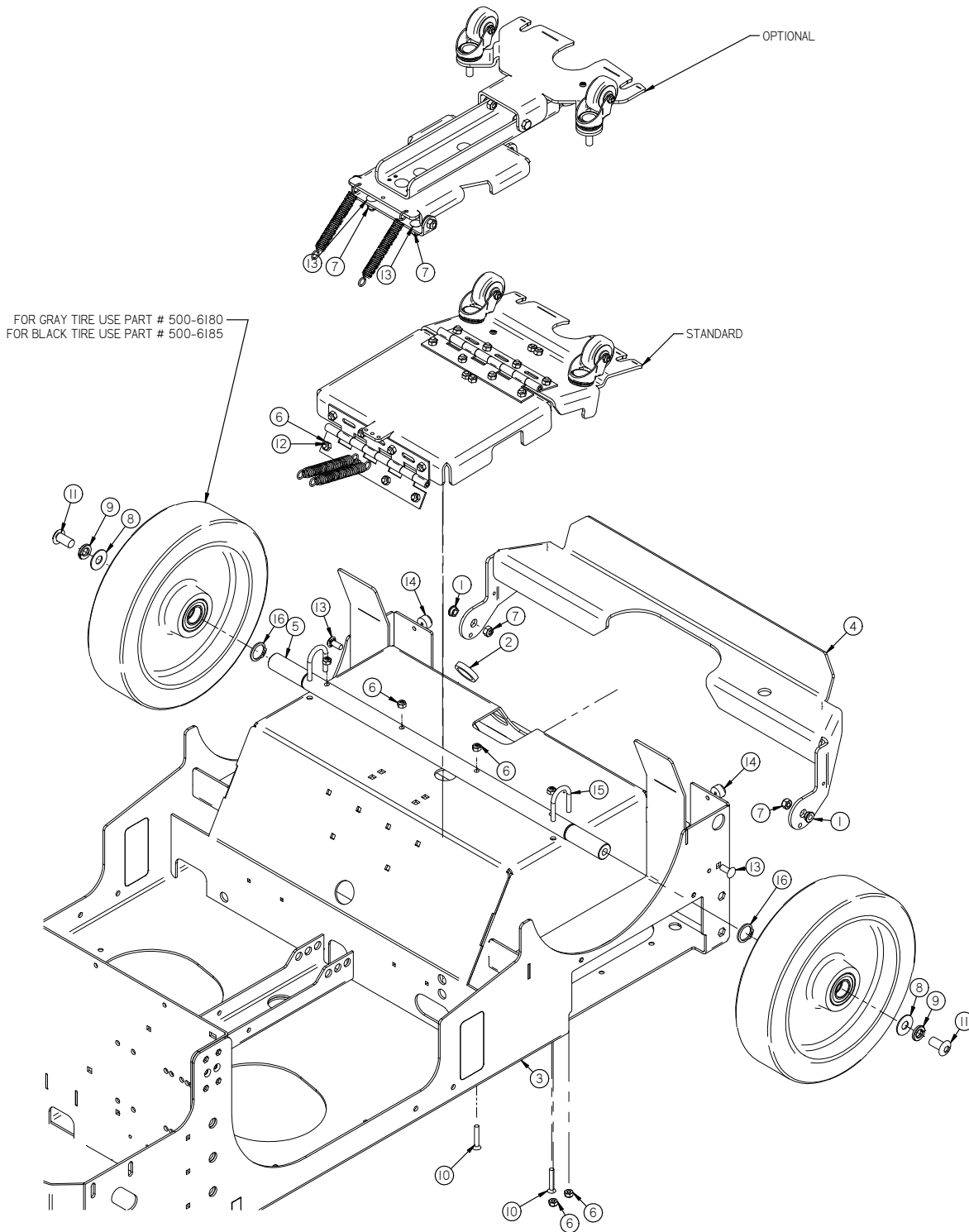
Item	Part No.	Part Description	Qty.
1	175-1001	THREE IN ONE TOOL	1
2	175-4180	YELLOW KNOB	1
3	175-8420	ADJUSTABLE LATERAL ARM BODY	1
4	175-9583	ADJUSTABLE ROD END (LH THREAD)	1
5	175-9584	ADJUSTABLE ROD END (RH TREAD)	1
6	253-7570	CASTER	2
7	500-7151	SQUEEGEE TRAIL ARM	1
8	500-7613	SQUEEGEE DRAG MOUNTING BRACKET	1
9	650-7141	SQUEEGEE SWING PLATE	1
10	650-7611	SQUEEGEE TRIANGLE PLATE	1
11	H-36904	LH JN 5/16" - 18 SS	1
12	H-4440024	FW 3/8" X 3/4" NYLON	10
13	H-70007	HCS 1/4" - 20 X 1.25" SS	2
14	H-70053	HCS 5/16" - 18 X 3/4" SS	2
15	H-70711	JN 5/16" - 18 SS	1
16	H-70860	NYLOK 1/4" - 20 SS	2
17	H-70861	NYLOK 5/16" - 18 SS	6
18	H-70862	NYLOK 3/8" - 16 SS	5
19	H-71017	FW 3/8 ID X 7/8 OD SS	3
20	H-72534	PPH #10-32 X 3/4" S/S	1
21	H-74429	CB 5/16" - 18 X 3/4" SS	4
22	H-74436	CB 3/8" - 16 X 1.0" SS	3
23	H-76061	FW 1/4" NYLON	2
24	H-96544	SPRING, 4-1/8" LG, 9/16 OD, 142EJ	2



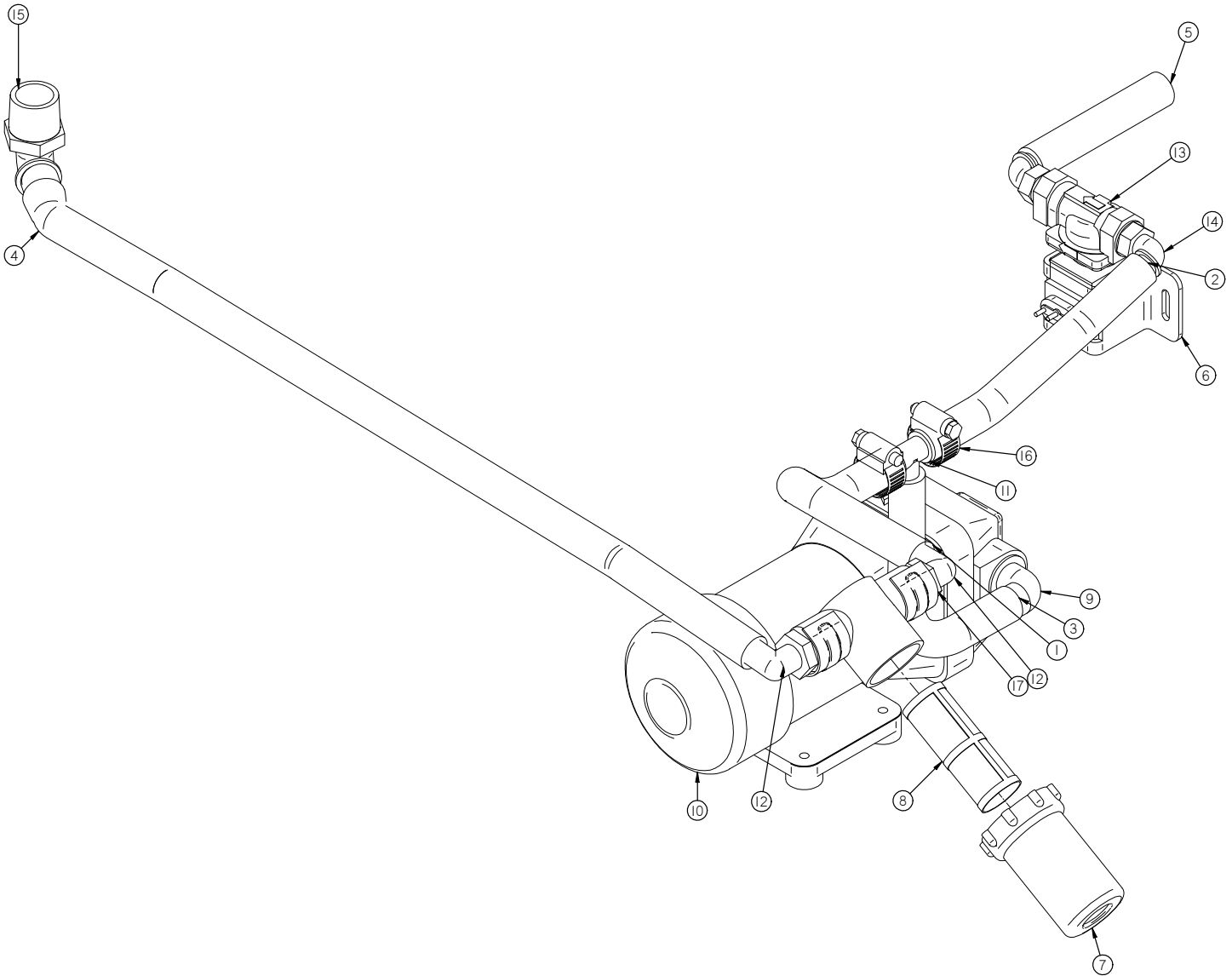
Item	Part No.	Part Description	Qty.	Item	Part No.	Part Description	Qty.
1	150-5786	STAR KNOB, 3/8-16 THREAD	2	13	H-70862	NYLOK 3/8"-16 SS	2
2	150-7600	4" SIDE WHEEL (GREY)	2	14	H-71013	FW 1/4 ID X 5/8 OD SS	8
3	36-0007	BAND BRACKET HOLDER	2	15	H-71063	LW 1/4" SS	6
4	36-2211	SPACER 1/2 OD X 5/32" LG X 25 ID	6	16	H-71067	LW 3/8" SS	2
5	36-7194	SQUEEGE BRACKET	2	17	H-71191	HCS 3/8" - 16 X 3" SS	2
6	36-8460	STANDOFF, 1.5"	2	18	H-73462	SHCS 1/4-20 X 1.0 SS	2
7	370-0124	LATCH	1	19	H-73465	SHCS 1/4-20 X 1.75 SS	2
8	5-418A	CLAMPING KNOB	8	20	H-73467	SHCS 1/4-20 X 2.25 SS	4
9	H-0129155	JNYL #10-32, 18-8 S/S	2	21	H-73742	BHSCS 10-32 X 3/8" SS	2
10	H-0171299	BHSCS 3/8"- 16 X 3" SS	2	22	H-73783	BHSCS 5/16-18 X 1.75	2
11	H-37020	JNYL 1/4" - 20	8	23	H-77013	HCS 1/4" - 20 X 2.5" SS	6
12	H-70861	NYLOK 5/16" - 18 SS	2				



Attaching Squeegee Trail Arm, Bumper, & Axle

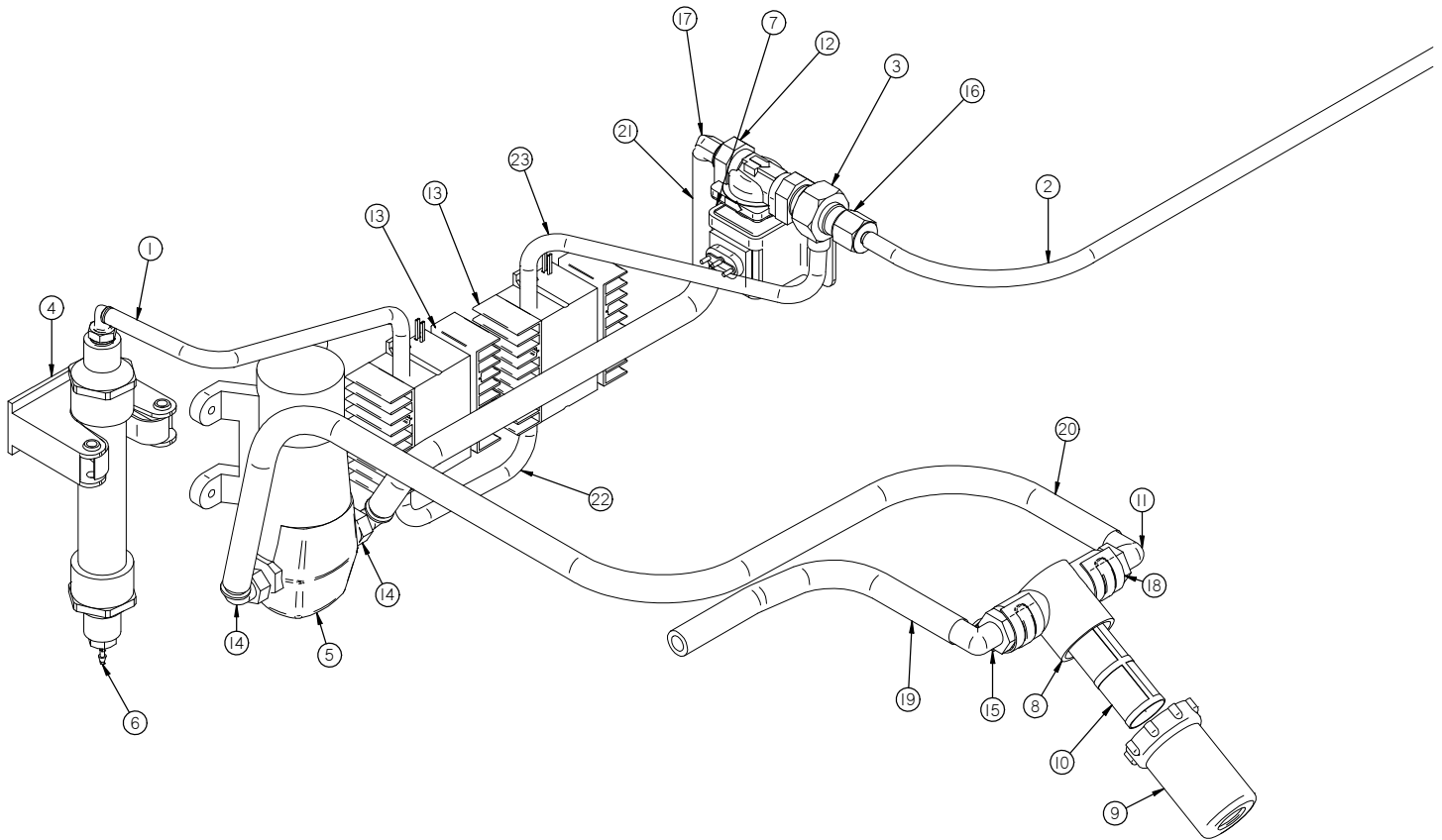


Item	Part No.	Part Description	Qty.
1	370-1247	BUSHING 5/16 X 1/2 X 3/16	2
2	370-2930	ALARM I91 dPol	1
3	600-1100	MAIN FRAME	1
4	600-1107	BUMPER/STEP	1
5	600-1271	AXLE	1
6	H-70860	NYLOK 1/4"- 20 SS	12
7	H-70861	NYLOK 5/16" - 18 SS	10
8	H-71021	FW 1/2 ID X 1-1/4 OD SS	2
9	H-71071	LW 1/2" SS	2
10	H-72712	FHP 1/4"- 20 X 1-1/4" SS	3
11	H-73834	BHSCS 1/2- 13 X 1" SS	2
12	H-74418	CB 1/4"- 20 X 5/8" S/S	4
13	H-74429	CB 5/16"- 18 X 3/4" SS	4
14	H-9540	RUBBER BUMPER, 25/32"	2
15	M-3043T13	1/4-20 X 1.0" U-BOLT	2
16	M-9858A121	1 INCH EXTERNAL RETAINING RING	2



Item	Part No.	Part Description	Qty.
1		1/2" GREY HOSE	1
2		1/2" GREY HOSE	1
3		1/2" GREY HOSE	1
4		1/2" CLEAR WIRE REINFORCED HOSE	1
5		1/2" GREY HOSE	1
6	150-5280	VALVE BRACKET	1
7	175-9130	INLINE FILTER	1
8	175-9130S	Black Filter Screen (40 mesh)	1
9	21-1601	1/2" BARBED ELBOW (PLASTIC)	1
10	430-8910	PUMP, WATER JET, 36V	1
11	5-446	1/2" PLASTIC BARB TEE	1
12	5-447	1/2 NPT X 1/2" BARB ELBOW	2
13	500-4500	24V VALVE	1
14	H-04763	ELBOW, 90 DEG X 3/8" MNPT X 1/2" BARB, NYLON	2
15	H-04907	3/4" NPT TO 3/4" BARBED ELBOW	1
16	H-081	CLAMP 7/16"- 25/32" SS	2
17	M-9434T22	1.0 DIA One Hole Tube Clamp	2

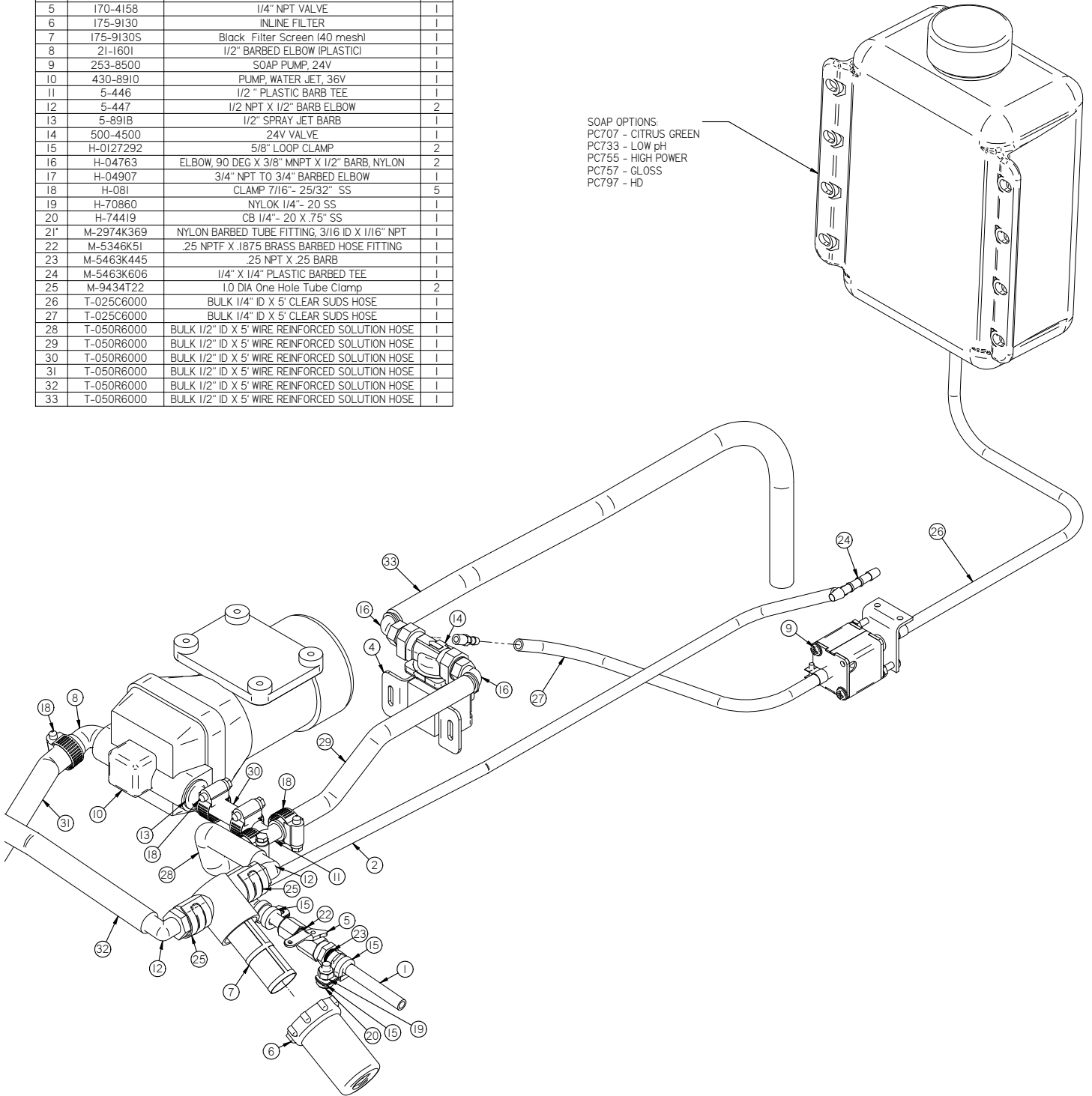
ZERO3 System



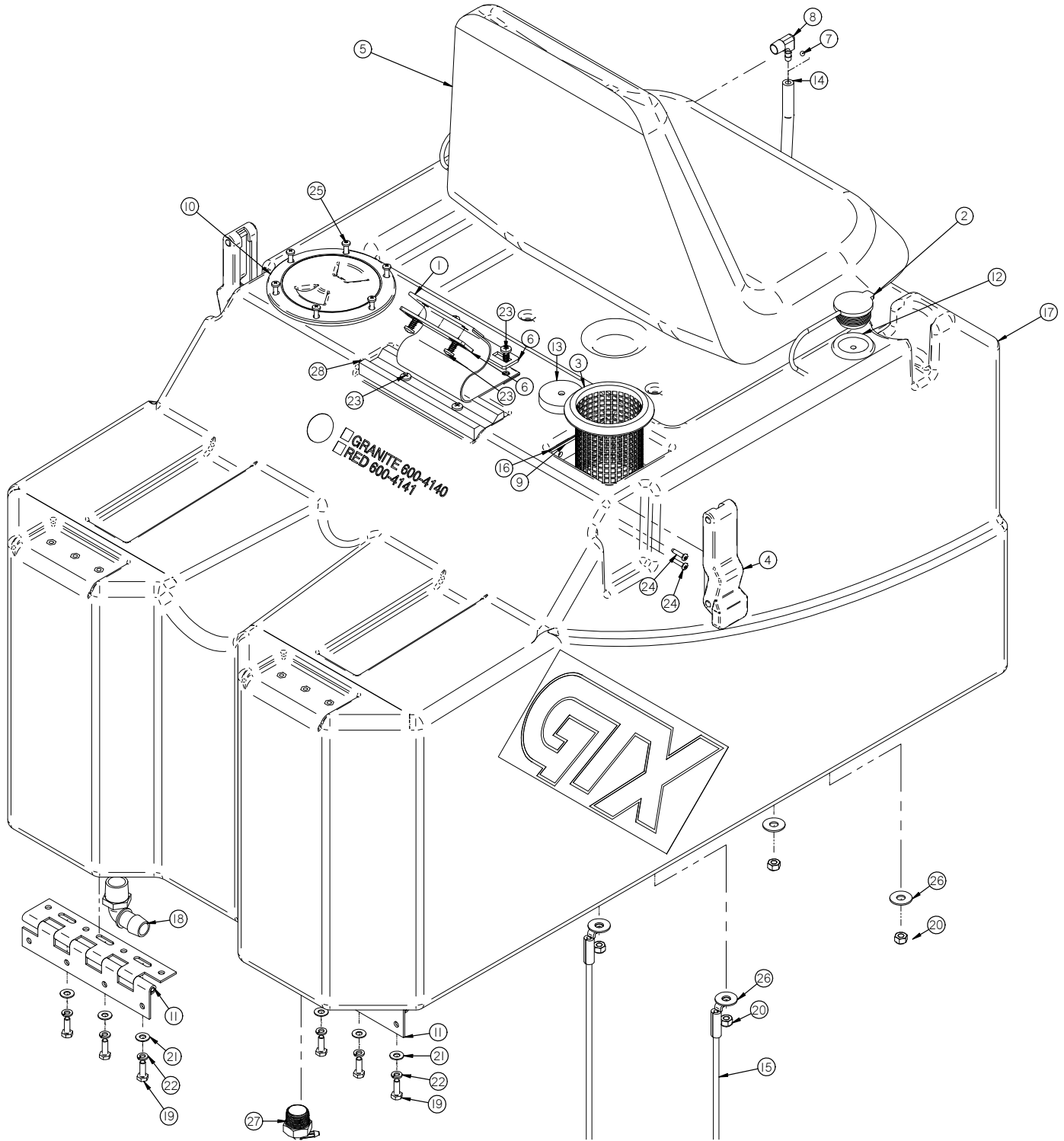
Item	Part No.	Part Description	Qty.
1		BULK 1/4" ID X 5' BLUE ZERO HOSE	1
2			1
3	123-8510	RED INJECTOR	1
4	123-8860	HOSE BRACKET HOLDER	1
5	123-8910	PUMP, WATER JET	1
6	123-9134	AIR DRYER	1
7	150-5280	VALVE BRACKET	1
8	175-9130-01	Filter Housing	1
9	175-9130-03	Filter Cap	1
10	175-9135S	Blue Filter Screen (50 mesh)	1
11	5-447	1/2 NPT X 1/2" BARB ELBOW	2
12	500-4500	24V VALVE	1
13	650-2334	CORONA GENERATOR	2
14	H-04763	ELBOW, 90 DEG X 3/8" MNPT X 1/2" BARB, NYLON	2
15	H-74418	CB 1/4" - 20 X 5/8" S/S	1
16	M-5346K52	.375 NPT X .25 BRASS BARBED HOSE FITTING	1
17	M-53525K18	.375 NPT X 3/75 BRASS BARBED ELBOW	1
18	M-9434T22	1.0 DIA One Hole Tube Clamp	2
19	T-025B6000	BULK 1/4" ID X 5' BLUE ZERO HOSE	1
20	T-025B6000	BULK 1/4" ID X 5' BLUE ZERO HOSE	1
21	T-025B6000	BULK 1/4" ID X 5' BLUE ZERO HOSE	1
22	T-025CS6000	BULK 1/4" ID X 5' CLEAR SILCONE ZERO HOSE	1
23	T-025CS6000	BULK 1/4" ID X 5' CLEAR SILCONE ZERO HOSE	1

Item	Part No.	Part Description	Qty.
1		SUDS DRAIN HOSE	1
2			1
3			1
4	150-5280	VALVE BRACKET	1
5	170-4158	1/4" NPT VALVE	1
6	175-9130	INLINE FILTER	1
7	175-9130S	Black Filter Screen (40 mesh)	1
8	21-1601	1/2" BARBED ELBOW (PLASTIC)	1
9	253-8500	SOAP PUMP, 24V	1
10	430-8910	PUMP, WATER JET, 36V	1
11	5-446	1/2" PLASTIC BARB TEE	1
12	5-447	1/2 NPT X 1/2" BARB ELBOW	2
13	5-891B	1/2" SPRAY JET BARB	1
14	500-4500	24V VALVE	1
15	H-0127292	5/8" LOOP CLAMP	2
16	H-04763	ELBOW, 90 DEG X 3/8" MNPT X 1/2" BARB, NYLON	2
17	H-04907	3/4" NPT TO 3/4" BARBED ELBOW	1
18	H-081	CLAMP 7/16"- 25/32" SS	5
19	H-70860	NYLOK 1/4"- 20 SS	1
20	H-74419	CB 1/4"- 20 X .75" SS	1
21	M-2974K369	NYLON BARBED TUBE FITTING, 3/16 ID X 1/16" NPT	1
22	M-5346K51	.25 NPTF X .1875 BRASS BARBED HOSE FITTING	1
23	M-5463K445	.25 NPT X .25 BARB	1
24	M-5463K606	1/4" X 1/4" PLASTIC BARBED TEE	1
25	M-9434T22	1.0 DIA One Hole Tube Clamp	2
26	T-025C6000	BULK 1/4" ID X 5' CLEAR SUDS HOSE	1
27	T-025C6000	BULK 1/4" ID X 5' CLEAR SUDS HOSE	1
28	T-050R6000	BULK 1/2" ID X 5' WIRE REINFORCED SOLUTION HOSE	1
29	T-050R6000	BULK 1/2" ID X 5' WIRE REINFORCED SOLUTION HOSE	1
30	T-050R6000	BULK 1/2" ID X 5' WIRE REINFORCED SOLUTION HOSE	1
31	T-050R6000	BULK 1/2" ID X 5' WIRE REINFORCED SOLUTION HOSE	1
32	T-050R6000	BULK 1/2" ID X 5' WIRE REINFORCED SOLUTION HOSE	1
33	T-050R6000	BULK 1/2" ID X 5' WIRE REINFORCED SOLUTION HOSE	1

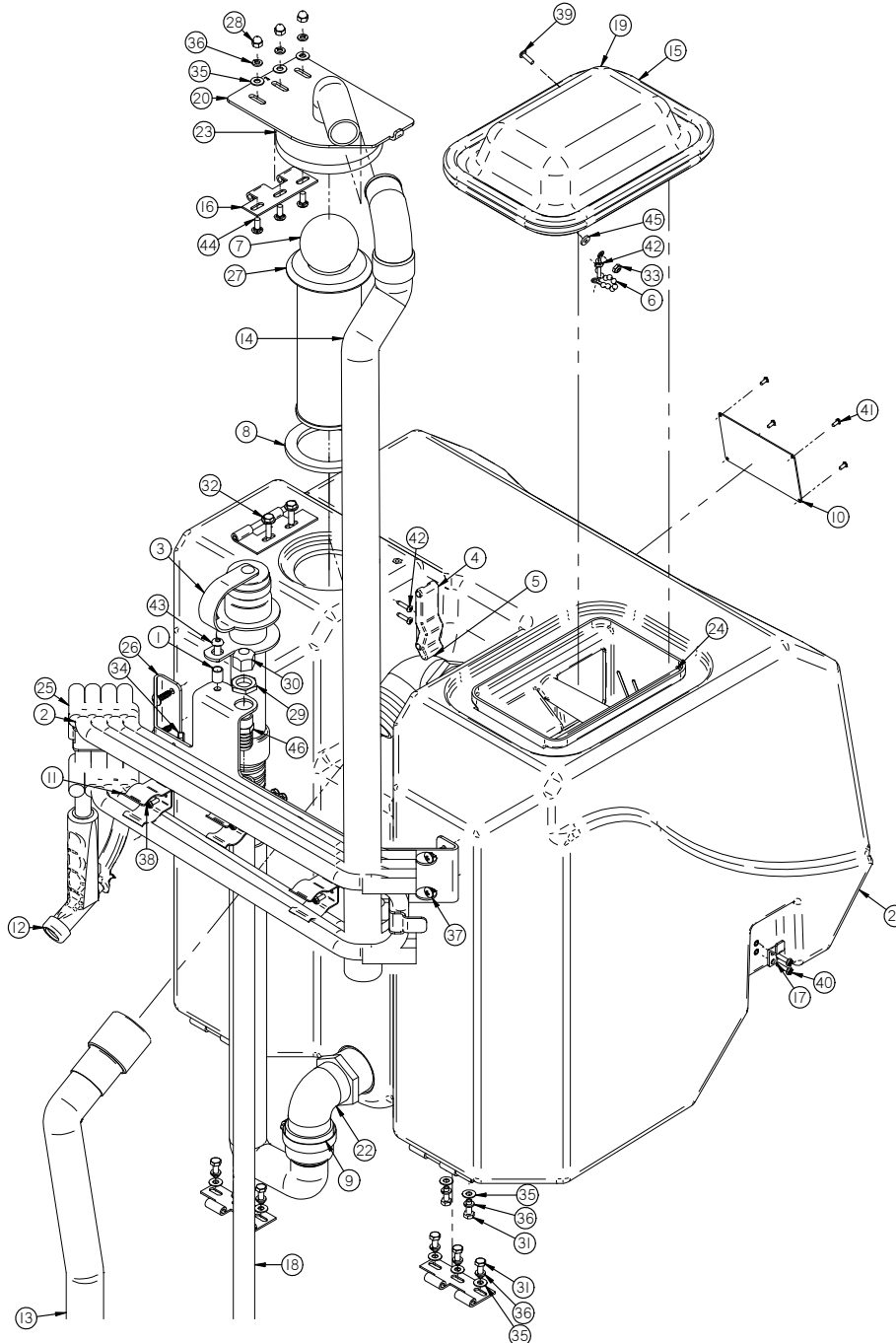
SOAP OPTIONS:
 PC707 - CITRUS GREEN
 PC733 - LOW pH
 PC755 - HIGH POWER
 PC757 - GLOSS
 PC797 - HD



Solution Tank

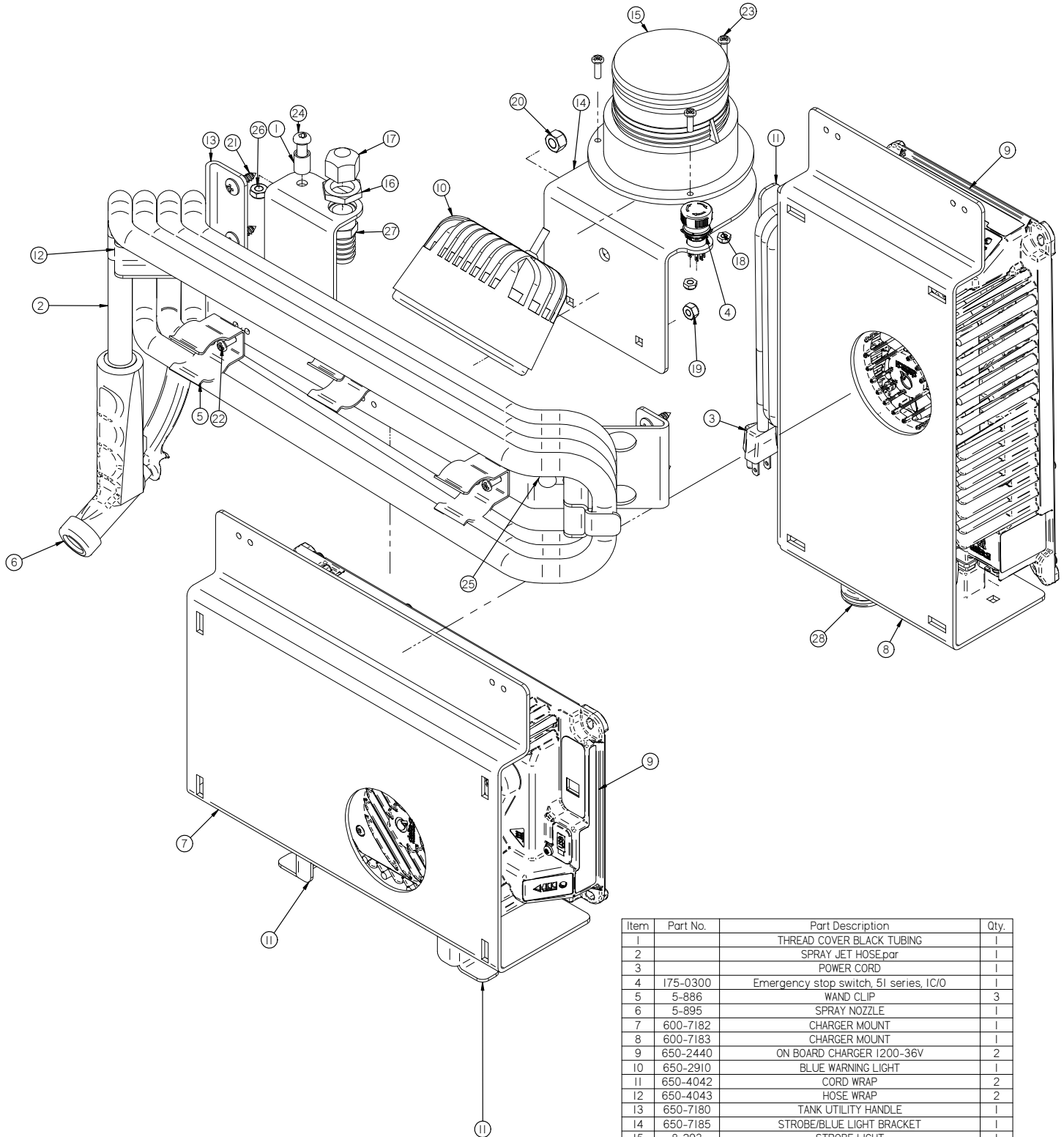


Item	Part No.	Part Description	Qty.	Item	Part No.	Part Description	Qty.
1	170-1045	TANK STRAP, 22" LG X 4" WIDE	1	15	600-0126	TANK CABLE	2
2	170-7211	1-1/2 HOSE CAP	2	16	600-1129	SOLUTION CURTIAN	1
3	170-8911	SCREEN STRAINER, 4-1/4" LG	1	17	600-4140	GTX SOLUTION TANK	1
4	250-1240	LATCH	2	18	H-04907	3/4" NPT TO 3/4" BARBED ELBOW	1
5	250-1430	SEAT	1	19	H-70003	HCS 1/4"-20 X 3/4" SS	6
6	253-1040	TANK STRAP SUPPORT	2	20	H-70861	NYLOK 5/16" - 18 SS	4
7	290-4148	7/32" POLYPROPYLENE BALL	1	21	H-71013	FW 1/4 ID X 5/8 OD SS	6
8	290-4149	1/4" NPT X 1/4" BARB X 90 DEG	2	22	H-71063	LW 1/4" SS	6
9	4-528	CORNER SEAL STRIP	1	23	H-71893	1/4 X 3/4 SELF TAPPING SCREW	6
10	400-4250	4" Clear Access Port	1	24	H-72916	PPH SMS #8 X 3/4" SS	4
11	5-122	8" SS HINGE	2	25	H-72930	PPH SMS #10 X 3/4" SS	6
12	5-8290	O-RING, #324, 1.35" X 1.77" X .210" BUNA-N	2	26	H-99001	FW 3/8" SS NOM ID .4375 X OD 1.0	4
13	500-1380	FILL HOSE	2	27	M-5463K496	.75 NPT X .25 BARBED X 90 DEG.par	1
14	600-0110	FRONT SIGHT TUBE	1	28	M-8146A44	GREY TANK RUBBER 7.25 INCH.par	1

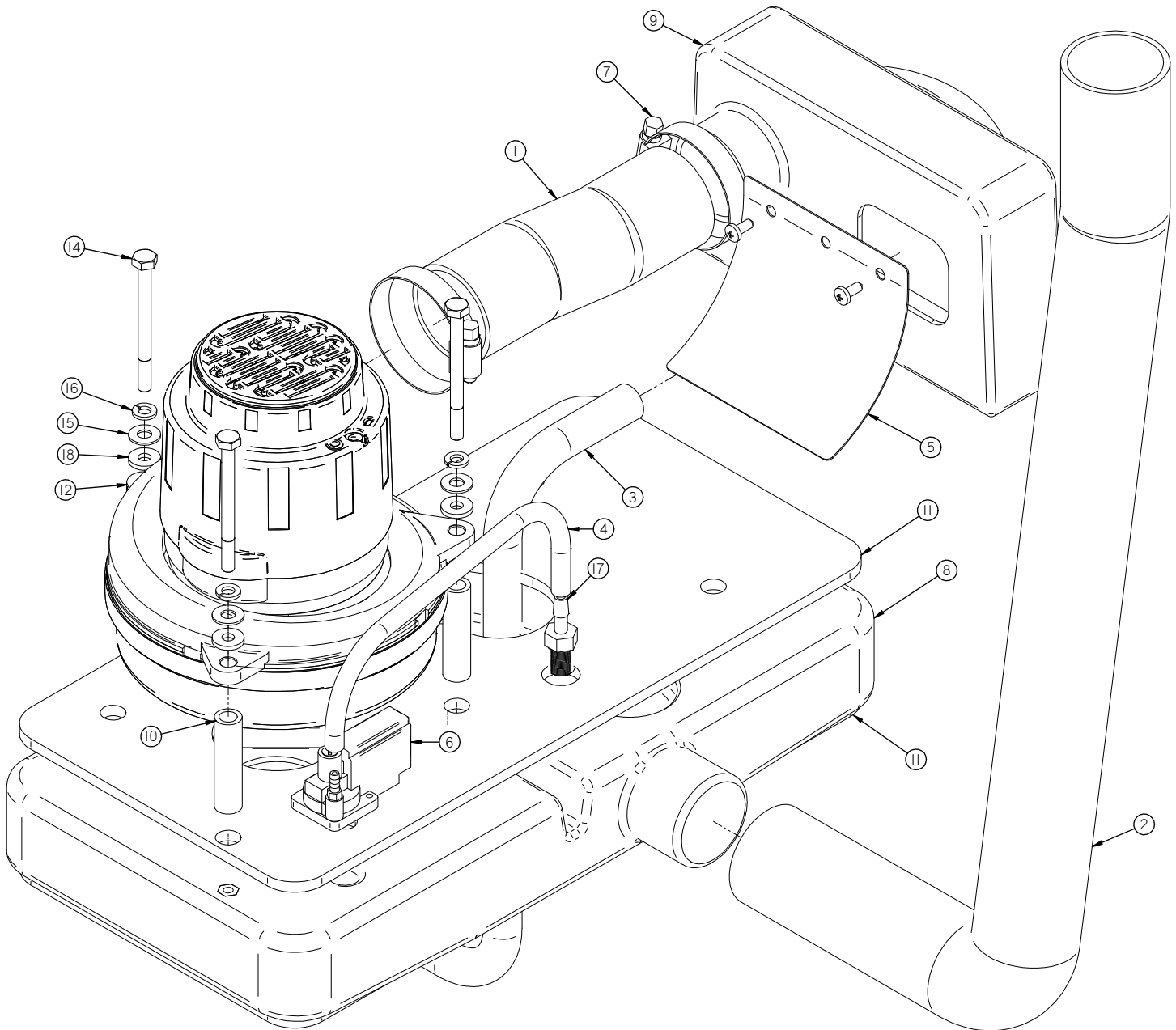


Item	Part No.	Part Description	Qty.	Item	Part No.	Part Description	Qty.
1		THREAD COVER BLACK TUBING	1	24	600-8915	DRAIN SAVER BASKET	1
2		SPRAY JET HOSE.par	1	25	650-4043	HOSE WRAP	2
3	175-7210	RECOVERY DRAIN HOSE	1	26	650-7180	TANK UTILITY HANDLE	1
4	250-1240	LATCH	1	27	8-911	SCREEN STRAINER	1
5	290-7040	2" NPT X 2" BARB STREET ELBOW, BLACK	1	28	H-37708	1/4-20 LC ACORN NUT	3
6	370-4060	6" LANYARD	1	29	H-68600	1/2" NPT BRASS NUT	1
7	38-712	OVERFILL SHUTOFF BALL	1	30	H-69843	50 NPT CAP	1
8	38-738	STRAINER GASKET	1	31	H-70003	HCS 1/4"-20 X 3/4" SS	10
9	5-719	CLAMP 1 9/16 - 2 1/2" SS	1	32	H-70005	HCS 1/4" - 20 X 1" SS	2
10	5-728	DETERGENT WARNING PLATE	1	33	H-70858	NYLOK #10-32 SS	10
11	5-886	WAND CLIP	3	34	H-70860	NYLOK 1/4" - 20 SS	6
12	5-895	SPRAY NOZZLE	1	35	H-71013	FW 1/4 ID X 5/8 OD SS	15
13	600-0111	SQUEEGEE HOSE	1	36	H-71063	LW 1/4" SS	13
14	600-0117	VAC HOSE	1	37	H-71894	#14 X 1" SELF TAPPING SCREW	4
15	600-1075	PUSH-ON RUBBER GASKET	1	38	H-72515	PPH #10-32 X 1/2" S/S	6
16	600-1220	4" SS HINGE	3	39	H-72517	PPH #10-32 X 5/8" SS	4
17	600-1240	600-1240 clip.psm	2	40	H-72534	PPH #10-32 X 3/4" S/S	4
18	600-1370	SIGHT TUBE	1	41	H-72902	PPH SMS #6 X 3/8" SS	4
19	600-1410	VAC FORMED CLEAR COVER	1	42	H-72916	PPH SMS #8 X 3/4" SS	3
20	600-4110	VAC SCREEN INLET	1	43	H-73780	BHSCS 5/16-18 X 1	1
21	600-7010	GTX RECOVERY TANK	1	44	H-74418	CB 1/4" - 20 X 5/8" S/S	9
22	600-7040	2" NPT X 2" BARB STREET ELBOW, BLACK	1	45	H-90133	.170 ID X .50 OD X .093 TH NEOPRENE WASHER	1
23	600-7390	VAC INLET GASKET	1	46	M-5346K68	.50 NPT X .75 BARB	1

Rear Options

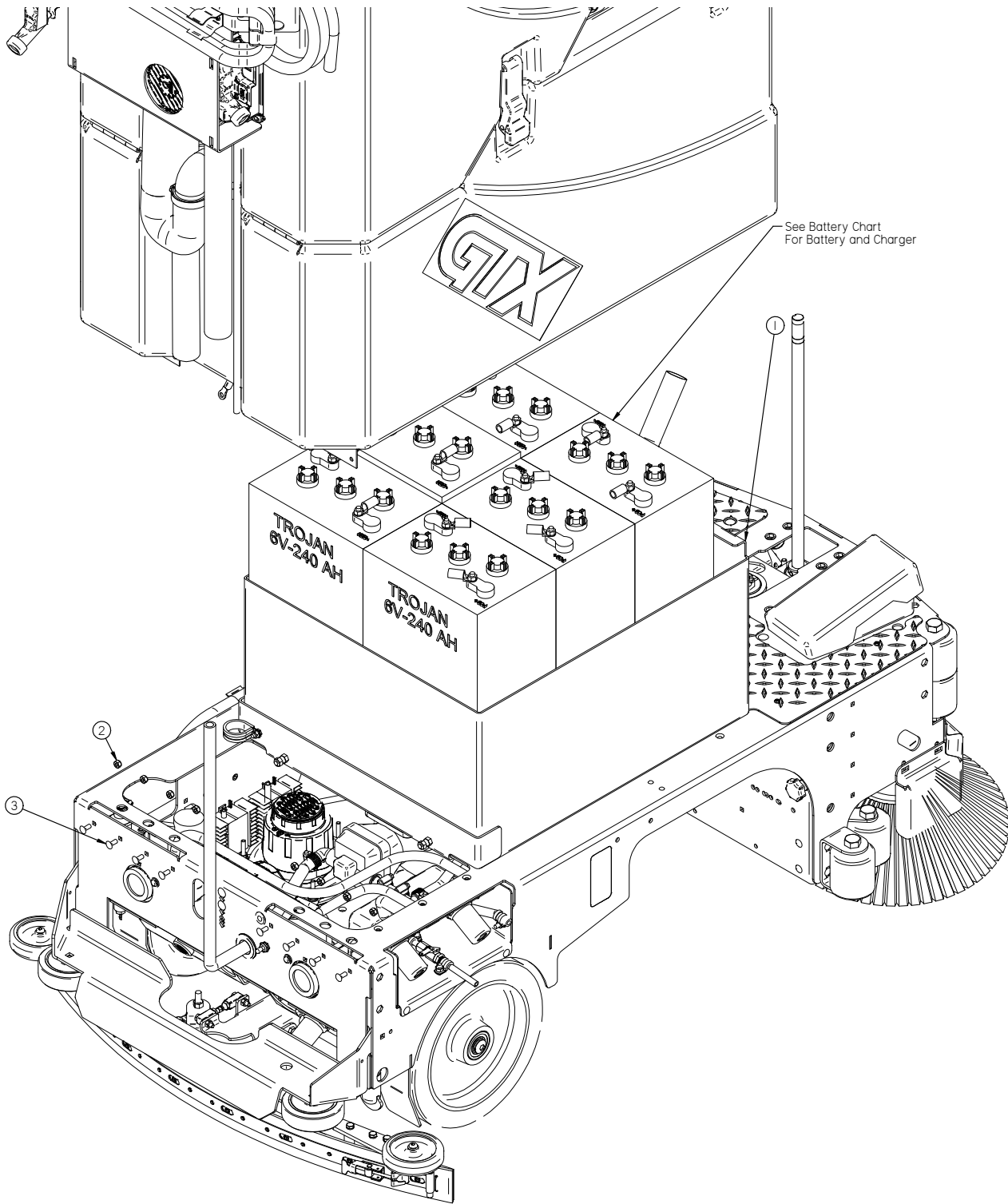


Item	Part No.	Part Description	Qty.
1		THREAD COVER BLACK TUBING	1
2		SPRAY JET HOSE.par	1
3		POWER CORD	1
4	175-0300	Emergency stop switch, 5I series, IC/O	1
5	5-886	WAND CLIP	3
6	5-895	SPRAY NOZZLE	1
7	600-7182	CHARGER MOUNT	1
8	600-7183	CHARGER MOUNT	1
9	650-2440	ON BOARD CHARGER I200-36V	2
10	650-2910	BLUE WARNING LIGHT	1
11	650-4042	CORD WRAP	2
12	650-4043	HOSE WRAP	2
13	650-7180	TANK UTILITY HANDLE	1
14	650-7185	STROBE/BLUE LIGHT BRACKET	1
15	8-293	STROBE LIGHT	1
16	H-68600	1/2" NPT BRASS NUT	1
17	H-69843	.50 NPT CAP	1
18	H-70858	NYLOK #10-32 SS	9
19	H-70860	NYLOK 1/4"- 20 SS	6
20	H-70862	NYLOK 3/8"-16 SS	1
21	H-71894	#14 X 1" SELF TAPPING SCREW	4
22	H-72515	PPH #10-32 X 1/2" S/S	6
23	H-72517	PPH #10-32 X 5/8" SS	3
24	H-73780	BHSCS 5/16-18 X 1	1
25	H-74418	CB 1/4"- 20 X 5/8" S/S	6
26	H-NJ05C	JNYL 5/16"- 18 SS	1
27	M-5346K68	50 NPT X .75 BARB	1
28	M-9307K82	GROMMET, 3/4" ID X 1-3/8" OD BUNA-N	2



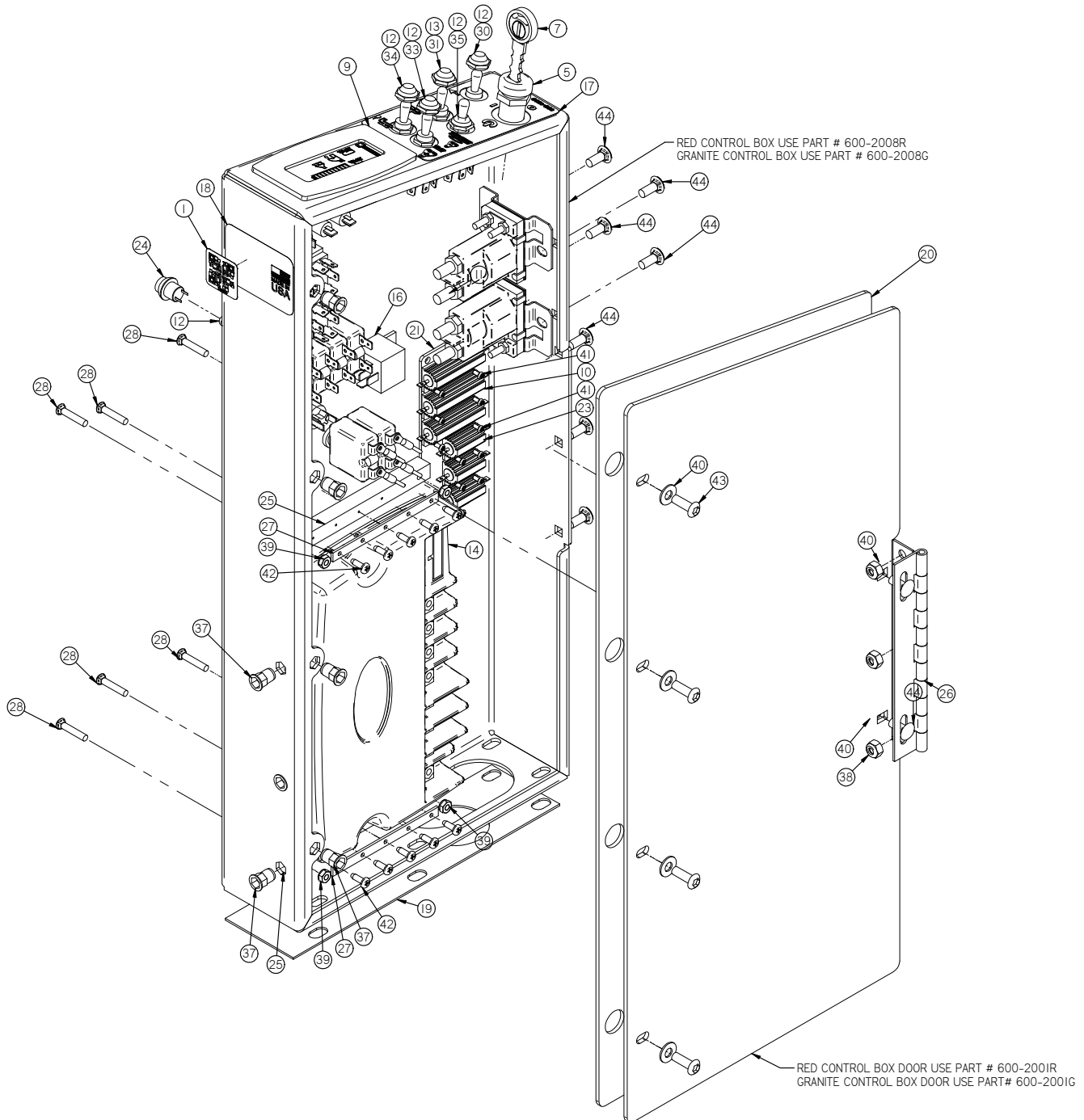
Item	Part No.	Part Description	Qty.
1		2" HOSE	1
2		CLEANAIR INTAKE	1
3		VAC BOX DRAIN	1
4		VAC SWITCH HOSE	1
5	175-1029	TANK BACK SPLASH	1
6	390-2328	SWITCH, VACUUM SHUTOFF	1
7	5-719	CLAMP 1 9/16 - 2 1/2" SS	2
8	650-1146	GTR VAC BOX	1
9	650-1148	GTR VAC MUFFLER WALL	1
10	650-2600	SPACER, 2-1/8" LG	3
11	650-3001	VAC MOTOR GASKET	2
12	650-5250	36 V VAC MOTOR	1
13	H-175216	PPH SMS #10 X 1/2" SBO	2
14	H-70015	HCS 1/4"- 20 X 3.0" SS	3
15	H-71013	FW 1/4 ID X 5/8 OD SS	3
16	H-71063	LW 1/4" SS	3
17	M-5463K439	.25 NPT X .125 BARB	1
18	M-90130A029	.25" NEOPRENE WASHER	3

Attaching Tanks & Batteries



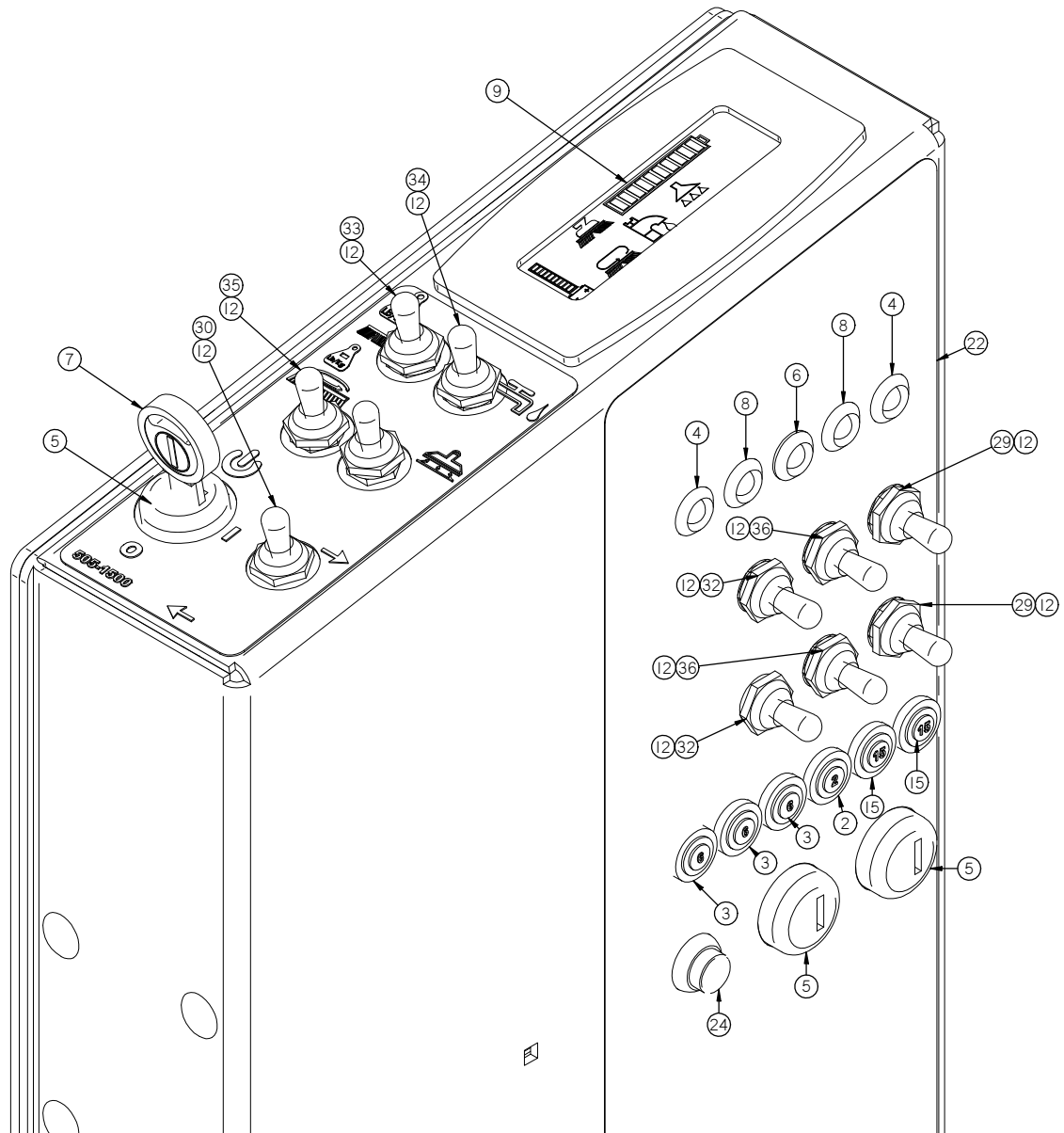
WHICH BATTERY CHARGER TO USE WITH BATTERY SELECTION

Battery Part Number & Description	Console Charger / North America	Onboard Charger / North America / International
ST ONLY 175-2110 (6V / 210AH - WET)	250-2540 (36VDC / 25A)	500-2460 (36VDC / 27A)
ST ONLY 250-2113 (6V / 240AH - WET)	250-2540 (36VDC / 25A)	500-2460 (36VDC / 27A)
HD ONLY 370-2117 (6V / 310AH - WET)	370-2540 (36VDC / 30A)	370-2460 (36VDC / 33A)
HD ONLY 253-2112 (6V / 360AH - WET)	370-2540 (36VDC / 30A)	370-2460 (36VDC / 33A)
ST ONLY 250-2120 (6V / 250AH - AGM)	N/A	500-2460 (36VDC / 33A)
HD ONLY 370-2120 (6V / 335AH - AGM)	N/A	370-2460 (36VDC / 33A)

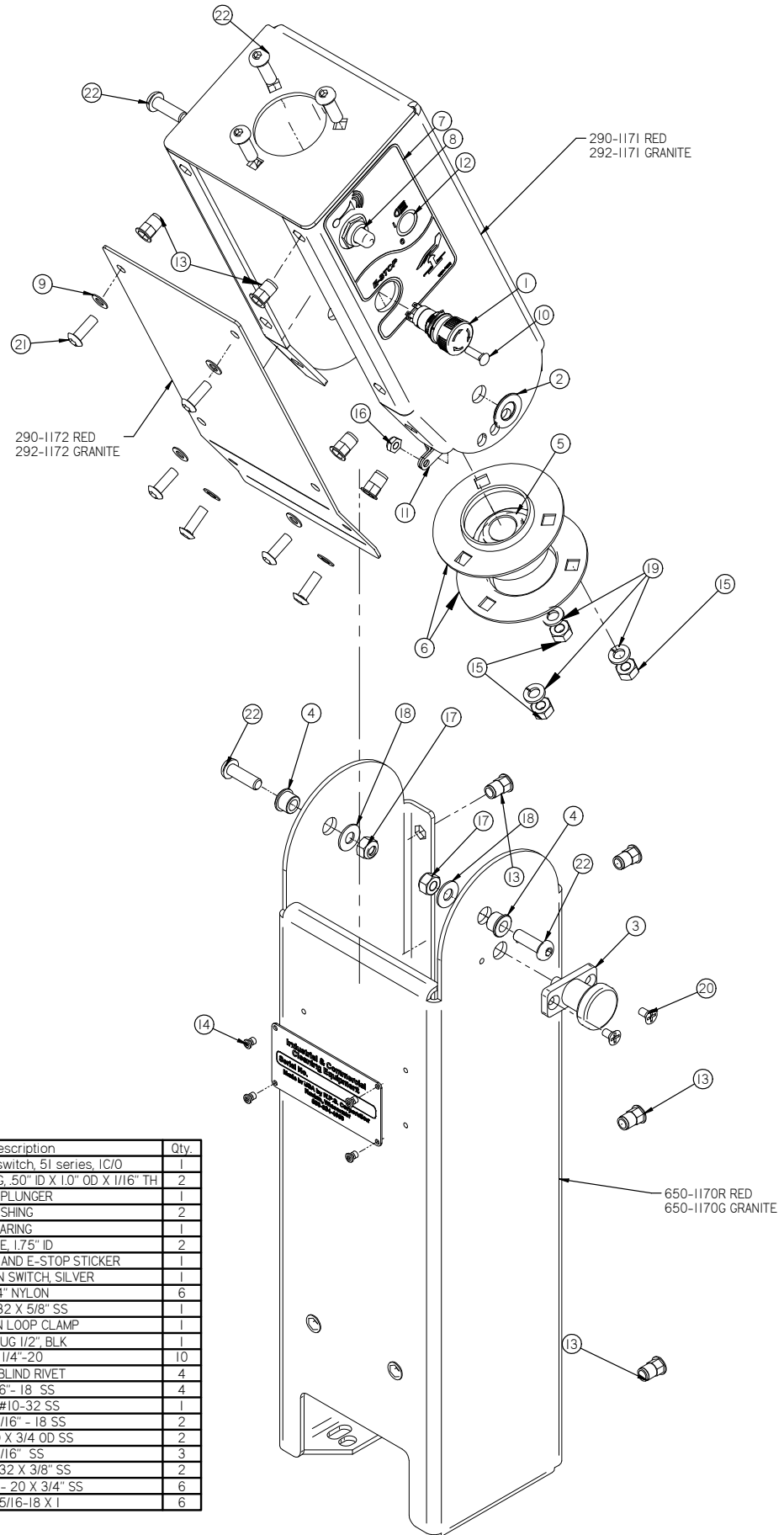


Item	Part No.	Part Description	Qty.	Item	Part No.	Part Description	Qty.
1		QR sticker	1	23	650-9581	RESISTOR	3
2		7-837.asm	1	24	7-229D	PUSH BUTTON SWITCH	1
3		4-284.asm	3	25	7-287	BUSS BAR UHMW	2
4	290-2330	RED LIGHT	2	26	8-180	HINGE, 6-7/8" S/S	1
5	290-234	KEY SWITCH (WITH KEY)	3	27	E-5HBB	5 HOLE BUSS BAR	2
6	290-2340	GREEN LIGHT	1	28	H-0172521	CB #10-32 X 1" SS	6
7	290-234A	KEY SET (REPLACE)	1	29	H-11195	PROTECTIVE BOOT, TOGGLE SWITCH, (WHITE)	2
8	290-2350	YELLOW LIGHT	2	30	H-11196	PROTECTIVE BOOT, TOGGLE SWITCH, (RED)	1
9	290-2891	LCD SCREEN	1	31	H-11197	PROTECTIVE BOOT, TOGGLE SWITCH, (YELLOW)	1
10	290-9581	RESISTOR	3	32	H-11198	PROTECTIVE BOOT, TOGGLE SWITCH, (GREEN)	2
11	370-2331	RELAY, 36V. SMALL. W/FLAT MTG PLATE	2	33	H-11199	PROTECTIVE BOOT, TOGGLE SWITCH, (BLUE)	1
12	370-8210	SWITCH, TOGGLE, ON/ON (DPDT)	10	34	H-11200	PROTECTIVE BOOT, TOGGLE SWITCH, (BLACK)	1
13	370-8920	TOGGLE, ON-OFF SPST	1	35	H-11201	PROTECTIVE BOOT, TOGGLE SWITCH, (GRAY)	1
14	390-2899	CONTROLLER V4	1	36	H-11202	PROTECTIVE BOOT, TOGGLE SWITCH, (ORANGE)	2
15	390-9615.asm		2	37	H-250HCN	HCN 1/4"-20	7
16	5-293	15 AMP RELAY	1	38	H-70860	NYLOK 1/4"- 20 SS	5
17	505-1500	CONTROL PANEL STICKER, TOP	1	39	H-70922	KN #8-32	4
18	505-1500	METER STICKER	1	40	H-71013	FW 1/4 ID X 5/8 OD SS	6
19	600-2004	CENTRAL COMMAND DUST CURTAIN	1	41	H-72486	PPH #4-40 X 1/2" S/S	12
20	600-2005	ACCESS COVER GASKET	1	42	H-72914	PPH SMS #8 X 1/2"	10
21	650-2007	RESISTOR PLATE	1	43	H-73754	BHSCS 1/4 - 20 X 3/4" SS	4
22	650-2019	CONTROL PANEL STICKER, FRONT	1	44	H-74418	CB 1/4"- 20 X 5/8" S/S	9

Central Command

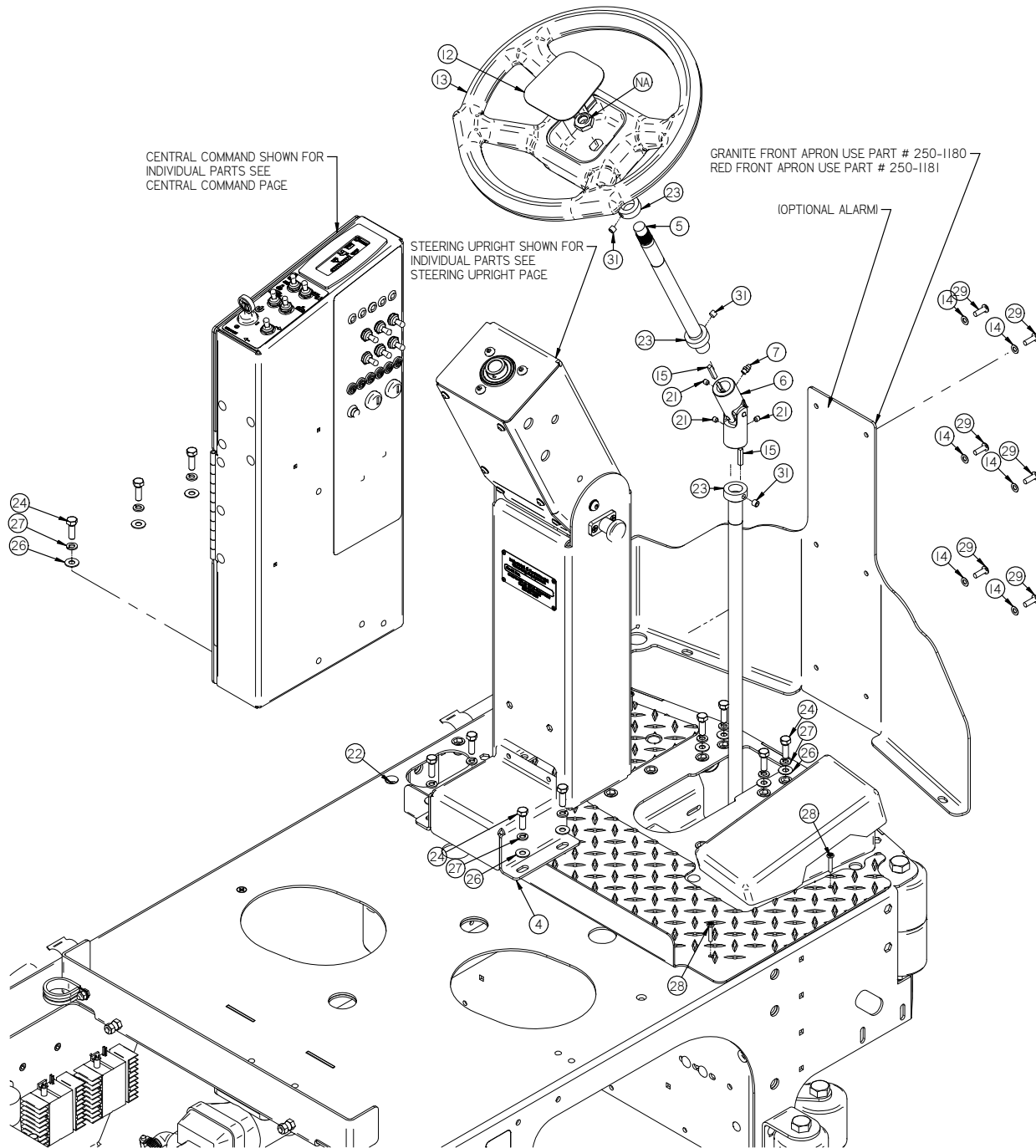


Item	Part No.	Part Description	Qty.	Item	Part No.	Part Description	Qty.
1		QR sticker	1	23	650-9581	RESISTOR	3
2		7-837.asm	1	24	7-229D	PUSH BUTTON SWITCH	1
3		4-284.asm	3	25	7-287	BUSS BAR UHMW	2
4	290-2330	RED LIGHT	2	26	8-180	HINGE, 6-7/8" S/S	1
5	290-234	KEY SWITCH (WITH KEY)	3	27	E-5HBB	5 HOLE BUSS BAR	2
6	290-2340	GREEN LIGHT	1	28	H-0172521	CB #10-32 X 1" SS	6
7	290-234A	KEY SET (REPLACE)	1	29	H-11195	PROTECTIVE BOOT, TOGGLE SWITCH, (WHITE)	2
8	290-2350	YELLOW LIGHT	2	30	H-11196	PROTECTIVE BOOT, TOGGLE SWITCH, (RED)	1
9	290-2891	LCD SCREEN	1	31	H-11197	PROTECTIVE BOOT, TOGGLE SWITCH, (YELLOW)	1
10	290-9581	RESISTOR	3	32	H-11198	PROTECTIVE BOOT, TOGGLE SWITCH, (GREEN)	2
11	370-2331	RELAY, 36V. SMALL W/FLAT MTG PLATE	2	33	H-11199	PROTECTIVE BOOT, TOGGLE SWITCH, (BLUE)	1
12	370-8210	SWITCH, TOGGLE, ON/ON (DPDT)	10	34	H-11200	PROTECTIVE BOOT, TOGGLE SWITCH, (BLACK)	1
13	370-8920	TOGGLE, ON-OFF SPST	1	35	H-11201	PROTECTIVE BOOT, TOGGLE SWITCH, (GRAY)	1
14	390-2899	CONTROLLER V4	1	36	H-11202	PROTECTIVE BOOT, TOGGLE SWITCH, (ORANGE)	2
15	390-9615.asm		2	37	H-250HCN	HCN 1/4"-20	7
16	5-293	15 AMP RELAY	1	38	H-70860	NYLOK 1/4"- 20 SS	5
17	505-1500	CONTROL PANEL STICKER, TOP	1	39	H-70922	KN #8-32	4
18	505-1500	METER STICKER	1	40	H-71013	FW 1/4 ID X 5/8 OD SS	6
19	600-2004	CENTRAL COMMAND DUST CURTAIN	1	41	H-72486	PPH #4-40 X 1/2" S/S	12
20	600-2005	ACCESS COVER GASKET	1	42	H-72914	PPH SMS #8 X 1/2"	10
21	650-2007	RESISTOR PLATE	1	43	H-73754	BHSCS 1/4 - 20 X 3/4" SS	4
22	650-2019	CONTROL PANEL STICKER, FRONT	1	44	H-74418	CB 1/4"- 20 X 5/8" S/S	9

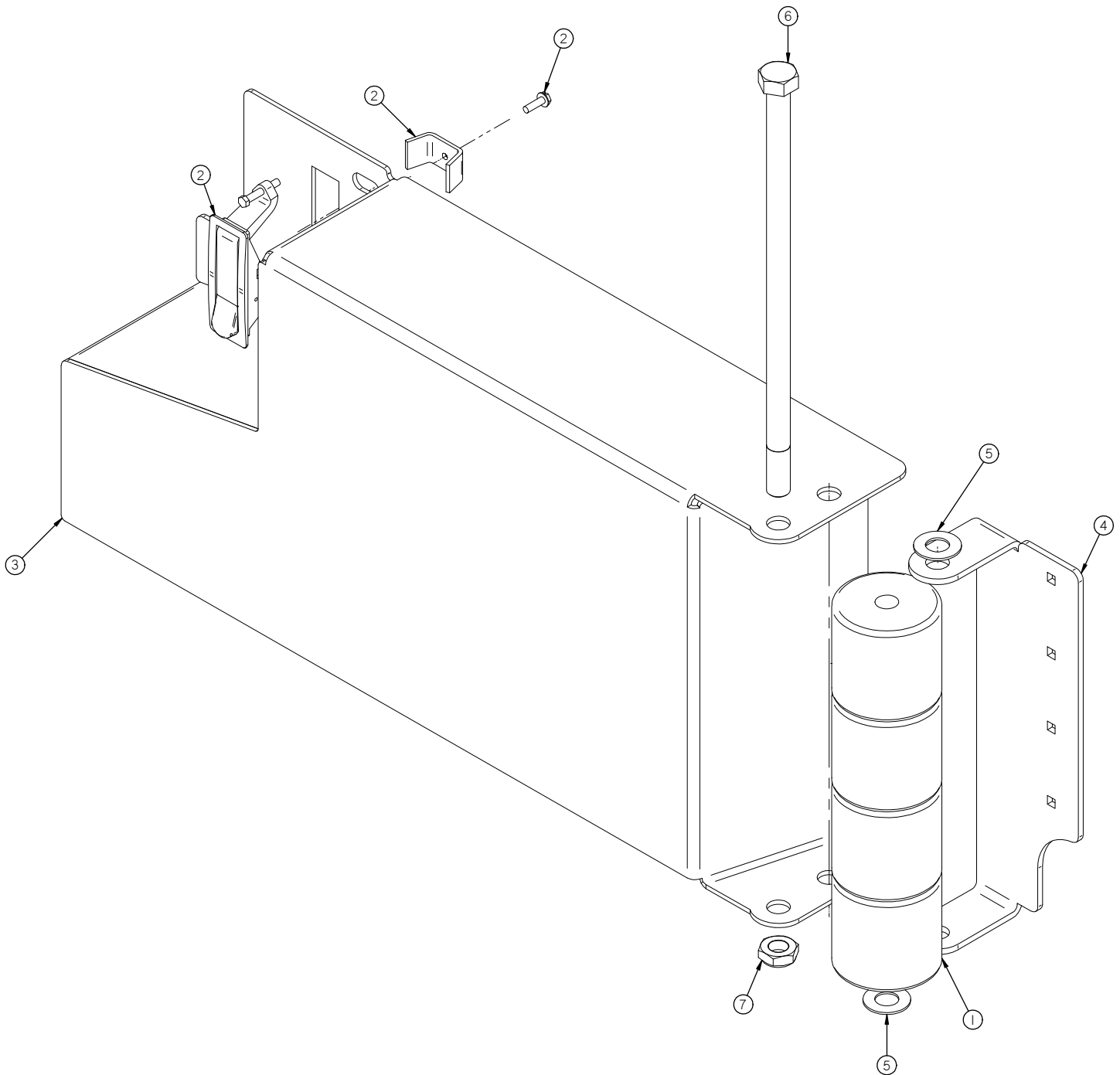


Item	Part No.	Part Description	Qty.
1	175-0300	Emergency stop switch, 51 series, 1C/O	1
2	290-1247	BRONZE THRUST BEARING, .50" ID X 1.0" OD X 1/16" TH	2
3	290-7050	INDEX PLUNGER	1
4	370-1245	BUSHING	2
5	4-352	BEARING	1
6	4-364A	FLANGE, 1.75" ID	2
7	600-1503	HORN HEAD LIGHT AND E-STOP STICKER	1
8	8-294B	PUSH BUTTON SWITCH, SILVER	1
9	H-00282	FW 1/4" NYLON	6
10	H-0172519	CB #10-32 X 5/8" SS	1
11	H-02239	3/8" NYLON LOOP CLAMP	1
12	H-0708887	DOME PLUG 1/2", BLK	1
13	H-250HCN	HCN 1/4"-20	10
14	H-41007	AB4-3A BLIND RIVET	4
15	H-70711	HN 5/16"- 18 SS	4
16	H-70858	NYLOK #10-32 SS	1
17	H-70861	NYLOK 5/16" - 18 SS	2
18	H-71015	FW 5/16 ID X 3/4 OD SS	2
19	H-71065	LW 5/16" SS	3
20	H-72681	FHP #10-32 X 3/8" SS	2
21	H-73754	BHSCS 1/4 - 20 X 3/4" SS	6
22	H-73780	BHSCS 5/16-18 X 1	6

Attaching Steering Column & Central Command

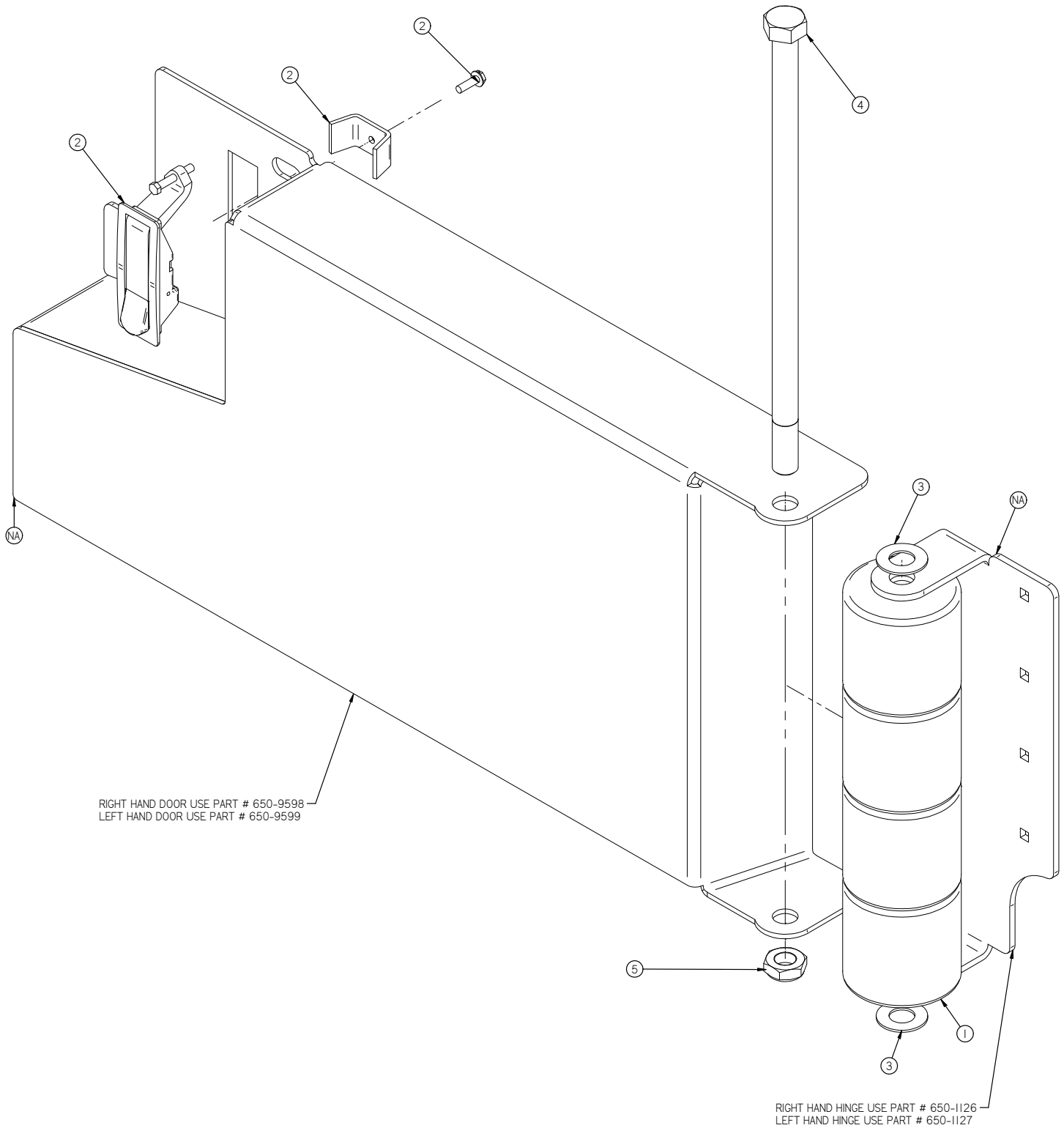


Item	Part No.	Part Description	Qty.	Item	Part No.	Part Description	Qty.
1*	1051	SUB # 7006 2X4 CENTRAL COMMAND	1	15	H-01125	3/16" X 1" KEY	2
2*	21-1127	ROLLER	1	16*	H-0172519	CB #10-32 X 5/8" SS	1
3*	21-1601	1/2" BARBED ELBOW (PLASTIC)	1	17*	H-0172521	CB #10-32 X 1" SS	2
4	290-1173	DRIVE COVER	1	18*	H-04763	ELBOW, 90 DEG X 3/8" MNPT X 1/2" BARB, NYLON	1
5	290-7090	STEERING SHAFT, UPPER	1	19*	H-081	CLAMP 7/16"- 25/32" SS	1
6	290-7110	U-JOINT	1	20*	H-1032HCN	HCN #10-32	6
7	290-7111	1/4"-28 ZERK FITTING	1	21	H-25379	SETSCREW, KCP, 1/4"-20 X 1/4"	3
8*	390	SUB #390 JAW ROLLER	1	22	H-312HCN	HCN 5/16"-18	10
9*	430-8910	PUMP, WATER JET, 36V	1	23	H-33376	SHAFT COLLAR, 3/4" ID X 9/16 LG	3
10*	500-2910	HEAD LIGHT	1	24	H-70055	HCS 5/16"- 18 X 1" SS	11
11*	600-1612	GTX HD NON SKID FLOOR PLATE	1	25*	H-70866	NYL 5/8" - 11	1
12	8-701A	STEERING COVER	1	26	H-71015	FW 5/16 ID X 3/4 OD SS	11
13	8-703	STEERING WHEEL	1	27	H-71065	LW 5/16" SS	11
14	H-00282	FW 1/4" NYLON	6	28	H-72536	PPH #10-32 X 1" S/S	6
				29	H-73754	BHSCS 1/4 - 20 X 3/4" SS	6
				30*	H-74430	CB 5/16"- 18 X 1" SS	3
				31	H-81983	5/16" X 1/4" KURL SET SCREW	3

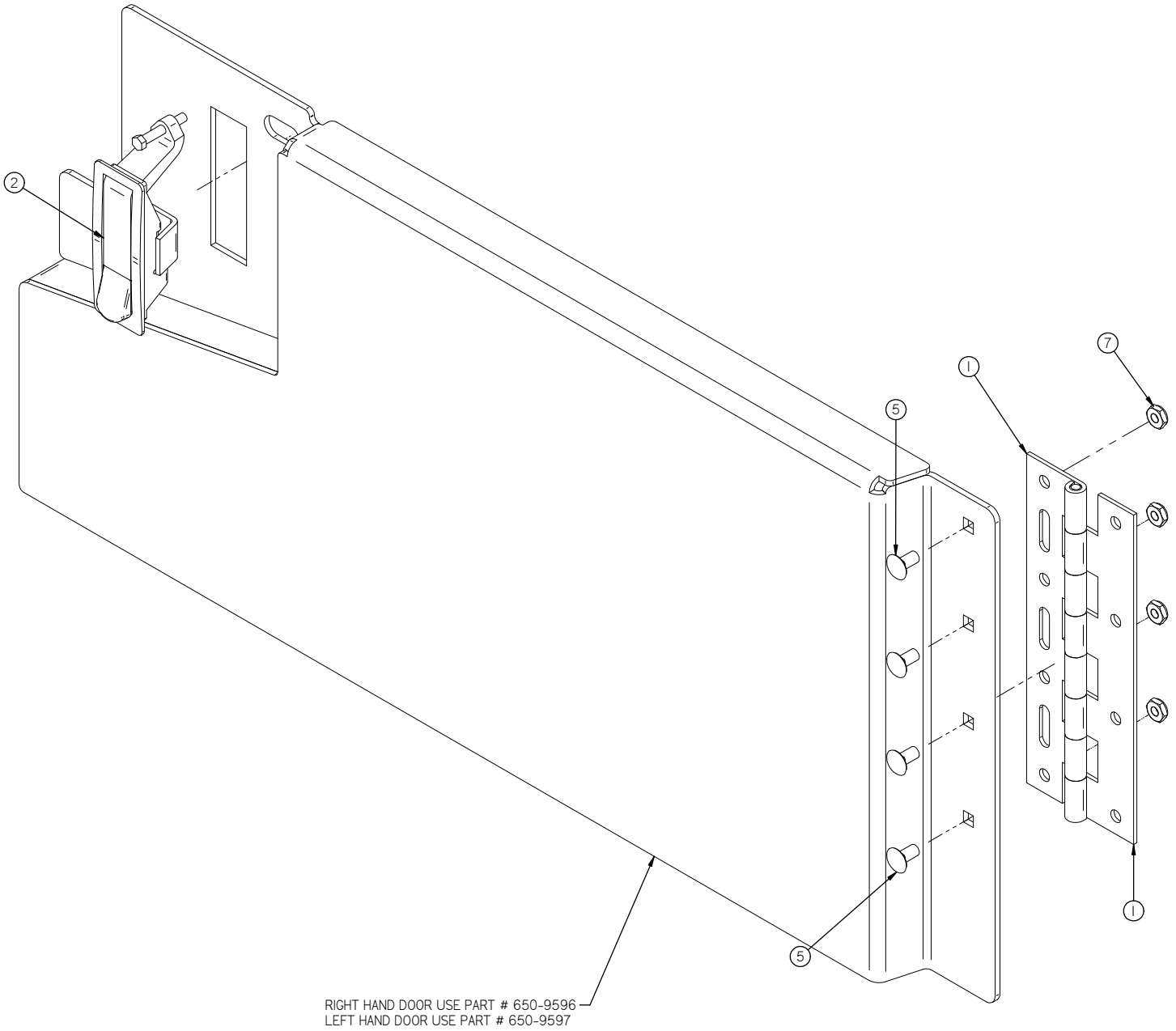


Item	Part No.	Part Description	Qty.
1	21-1127	ROLLER	4
2	5-130	DOOR LATCH	1
3	600-9598	DOOR (RH 33" CYLINDRICAL)	1
4	650-1126	ROLLER BRACKET HINGE (RH)	1
5	H-00279	FW 5/8" PVC	2
6	H-13337	HB 5/8"- 11 X 13"	1
7	H-37038	JNYL 5/8"- 11	1

28" Disk, 30" Disk & 29" Cylindrical Doors



Item	Part No.	Part Description	Qty.
1	21-1127	ROLLER	4
2	5-130	DOOR LATCH	1
3	H-00279	FW 5/8" PVC	2
4	H-13337	HB 5/8"- 11 X 13"	1
5	H-37038	JNYL 5/8"- 11	1



Item	Part No.	Part Description	Qty.
1	5-122	8" SS HINGE	1
2	5-130	DOOR LATCH	1
3*	H-37708	1/4"-20 LC ACORN NUT	4
4*	H-71063	LW 1/4" SS	4
5	H-74417	CB 1/4"- 20 X .5" SS	4
6*	H-74418	CB 1/4"- 20 X 5/8" S/S	4
7	H-NJ04C	JNYL 1/4" - 20 SS	4

Common Wear Parts

ROUND DISK BRUSHES:**NOTICE**

The ## in Disk Column Denotes Desk Pad Size: 13", 15" or 17"

BRUSHES	DISK	LEVEL
Super Grit	##-382SS	Very High
Tough Grit	##-382S	High
Midi Grit	##-382C	Medium
Light Grit	##-382PS	Moderate
Poly	##-382P	Light
Nylon	##-382N	Light
Tampico	##-382T	Light
Pad Driver	##-382D	
Diamond Driver	##-382DD	

ROUND DISK PADS:**NOTICE**

The ## in Disk Column Denotes Desk Pad Size: 13", 15" or 17"

DISK PADS	DISK	LEVEL	COLOR
Super Black	##-422BB	Very High	Black
Black	##-422B	High	Black
Brown	##-422BR	High	Brown
Green	##-422G	Medium	Green
Blue	##-422BL	Moderate	Blue
Red	##-422R	Moderate	Red
White	##-422W	Light	White

CYLINDRICAL BRUSHES:

BRUSHES	MODEL 25" CYLINDRICAL	MODEL 29" CYLINDRICAL	MODEL 33" CYLINDRICAL	LEVEL
Tough Grit	236-697S	276-697S	316-697S	High
Midi Grit	236-697C	276-697C	316-697C	Medium
Light Grit	236-697PS	276-697PS	316-697PS	Moderate
Fine Grit	236-697F	276-697F	316-697F	Light
Nylon	236-697N	276-697N	316-697N	Light
Tampico	236-697T	276-697T	316-697T	Light

SQUEEGEE BLADE KITS & COMPLETE SQUEEGEE ASSEMBLIES:

SQUEEGEE SIZE	26" DISK	28" DISK	30" DISK	34" DISK	25" CYL	29" CYL	33" CYL
30" Squeegee	Standard	Optional	Optional	Optional	Standard	Optional	Optional
33" Squeegee	Optional	Standard	Standard	Optional	Optional	Standard	Optional
36" Squeegee	Optional	Optional	Optional	Standard	Optional	Optional	Standard
39" Squeegee	Optional	Optional	Optional	Optional	Optional	Optional	Optional
42" Squeegee	Optional	Optional	Optional	Optional	Optional	Optional	Optional

SQUEEGEE SIZE	LINATEX BLADE KIT	GUM RUBBER BLADE KIT	URETHANE BLADE KIT	COMPLETE SQUEEGEE ASSEMBLIES
30" Squeegee	30-770L	30-770G	30-770U	30-8180
33" Squeegee	33-770L	33-770G	33-770U	33-8180
36" Squeegee	36-770L	36-770G	36-770U	36-8180
39" Squeegee	39-770L	39-770G	39-770U	39-8180
42" Squeegee	42-770L	42-770G	42-770U	42-8180

SQUEEGEE MATERIAL:	USED FOR:
LINATEX	Provides best wear and tear resistance. Not designed for use with harsh chemicals.
URETHANE	Provides best resistance when dealing with harsh chemicals, oils, fuels, etc.
GUM	Provides best drying performance on rough/grouted floor types by sealing over irregularities. Short life.

NOTICE

Squeegee blade kits include (1) Rear Blade & (1) Front Blade.

NOTICE

Squeegee Assemblies (complete) listed above all come with Linatex blades.

NOTICE

Size is stamped into the top of the painted steel squeegee body on all squeegee's.





HD Model Sticker - GTX Part #: 600-1500



ST Model Sticker - GTX Part #: 600-1501



Front FactoryCat Sticker Part #: 370-7201

GTX Sticker Pack - Part #: 600-2020



BLANK

THIS PAGE WAS INTENTIONALLY LEFT BLANK

FACTORYCAT®

1711 South Street
Racine, WI 53404
www.factorycat.com
Tel. US: 800-634-4060
Tel. Int: (001) 262-681-3583