

Specifications

Board: 60 x 40 cm

Adjustable height: from 70 to 105 cm

Wheels: 4 wheels with brake

Weight: 8.5kg

Materials: steel - veneered melamine board

Maximum weight supported: 10 Kg

Two finishes available:

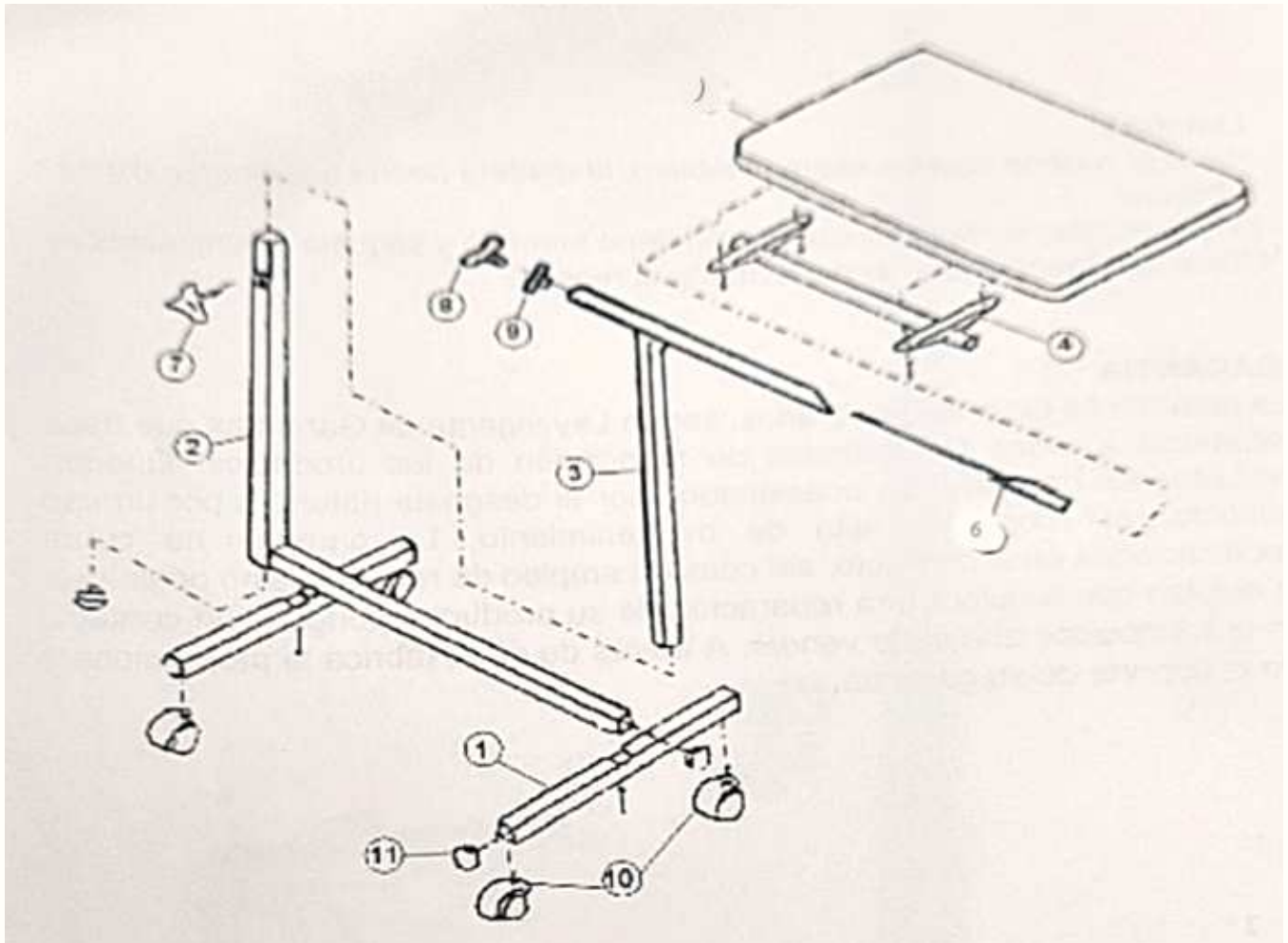
- AD683G gray painted structure and light gray top with rim.
- AD688M structure painted in gray and brown top with rim

Caution

- Before placing any object on the table, make sure on flat ground and is stable and that all knobs are tight
- Do not lean on the table, you could tip it over.
- The board does not hold more than 10 kg of weight.

Parts List:

- 1 - legs
- 2 - L-piece
- 3- arm
- 4- board support
- 5- board
- 6- round tube
- 7- height adjustment knob
- 8- tilt adjustment knob
- 9- washer
- 10-wheels
- 11 - square plugs, plastic



Assembly instructions:

1- Fit the legs with the L-shaped piece.

2- Insert the round tube (6) into the arm (3), facing the two bevels

3- Secure this piece with the washer (9) and the knob (8).

4- Insert this piece into the L-shaped square tube (2).

5- Slide the arm (3) into the board support (4).

6- Block the inclination of the table using the knob (8).

7- Adjust the height of the table using the knob