



Soft closing solutions for every application

BLUMOTION for doors soft closing mechanisms can be quickly integrated into cabinets. It will work for almost any application and does not require any change to the hinge assembly.

BLUMOTION redefines the phrase “quality of motion”. The system is quick and easy to install and once installed, creates a quiet closing motion.

The braking action increases with the force of the door allowing it to close softly. This technology enables BLUMOTION to adjust itself automatically to each door size, weight and closing speed.

- Soft closing motion every time due to adaptability
- The integrated overload safety feature protects the BLUMOTION system from damage through abuse
- BLUMOTION lasts the lifetime of the cabinet – ensuring that your customers remain satisfied

i Hinge planning tools




Blum has downloadable Excel® spreadsheets that help determine the BLUMOTION that is right for your application. Available at blum.com/us/planning



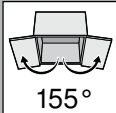
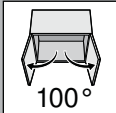
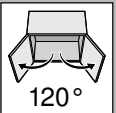
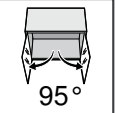
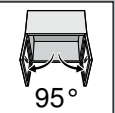
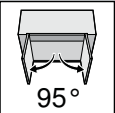
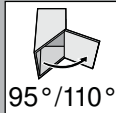
BLUMOTION for doors overview for Euro hinges

Recommended
BLUMOTION

BLUMOTION
inside

		 107°	 110°	 110°+	 120°	 120°+	 170°	 95°
		Standard hinge	Standard hinge	Standard hinge	Standard hinge	Standard hinge	Standard hinge	Thick door hinge
Overlay		Straight-arm hinge, 0 plate	Straight-arm hinge, 0 plate	Straight-arm hinge, 0 plate	Straight-arm hinge, 0 plate	Straight-arm hinge, 0 plate	Straight-arm hinge, 0 plate	Straight-arm hinge, 0 plate
		973A0500.01	973A0500.01	973A0500.01	973A0500.01	973A0500.01	973A6000	973A0500.01
		971Axxxx	971Axxxx	971Axxxx	971Axxxx	971Axxxx	971Axxxx	971Axxxx
		970A1002	970A1002	970A1002	970A1002	970A1002	970A1002	970A1002
Partial/twin overlay		Straight-arm hinge, 9 plate	Straight-arm hinge, 9 plate	Straight-arm hinge, 9 plate	Straight-arm hinge, 9 plate	Straight-arm hinge, 9 plate	Straight-arm hinge, 9 plate	Straight-arm hinge, 9 plate
		973A0500.01	973A0500.01	973A0500.01	973A0500.01	973A0500.01	973A6000	973A0500.01
		Half-cranked hinge, 0 plate	Half-cranked hinge, 0 plate		Half-cranked hinge, 0 plate		Half-cranked hinge, 0 plate	Half-cranked hinge, 0 plate
		973A0600	973A0600		973A0600		973A6000	973A0600
		970A1002	970A1002	970A1002	970A1002	970A1002	970A1002	970A1002
Inset		Straight-arm hinge, 18 plate	Straight-arm hinge, 18 plate	Straight-arm hinge, 18 plate	Straight-arm hinge, 18 plate	Straight-arm hinge, 18 plate	Straight-arm hinge, 18 plate	Straight-arm hinge, 18 plate
		973A0500.01	973A0500.01	973A0500.01	973A0500.01	973A0500.01	973A6000	973A0500.01
		Half-cranked hinge, 9 plate	Half-cranked hinge, 9 plate		Half-cranked hinge, 9 plate		Half-cranked hinge, 9 plate	Half-cranked hinge, 9 plate
		973A0600	973A0600		973A0600		973A6000	973A0600
		Full-cranked hinge, 0 plate	Full-cranked hinge, 0 plate					Full-cranked hinge, 0 plate
	973A0700	973A0700					973A0700	
		970A1002	970A1002	970A1002	970A1002	970A1002	970A1002	970A1002

NOTE: The overview chart shows all possible BLUMOTION applications. The recommended BLUMOTION part number is marked in orange.

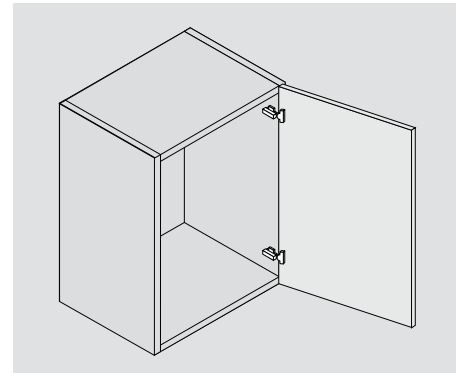
 155°	 100°	 120°	 95°	 95°	 95°	 95°/110°
Zero protrusion hinge	Standard hinge	Aluminum door hinge	Glass door hinge	Mini hinge	Blind corner hinge - overlay and inset	Angled hinges: +30 II, +45 I, +45 II
Straight-arm hinge, 0 plate	Straight-arm hinge, 0 plate	Straight-arm hinge, 0 plate				
973A7000	973A0500.01	973A0500.01				
971Axxxx	971Axxxx		971Axxxx	971Axxxx		
970A1002	970A1002	970A1002	970A1002	970A1002	970A1002	970A1002
Straight-arm hinge, 9 plate	Straight-arm hinge, 9 plate	Straight-arm hinge, 9 plate				
973A7000	973A0500.01	973A0500.01				
	Half-cranked hinge, 0 plate					
	973A0600					
970A1002	970A1002	970A1002	970A1002	970A1002	970A1002	970A1002
Straight-arm hinge, 18 plate	Straight-arm hinge, 18 plate	Straight-arm hinge, 18 plate				
973A7000	973A0500.01	973A0500.01				
	Half-cranked hinge, 9 plate					
	973A0600					
	Full-cranked hinge, 0 plate					
	973A0700					
970A1002	970A1002	970A1002	970A1002	970A1002	970A1002	970A1002

BLUMOTION 973A for CLIP top and CLIP hinges

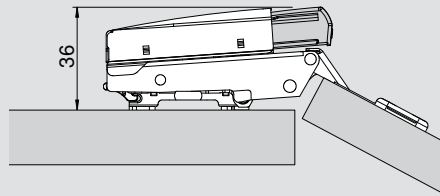


Features

- Soft-closing feature for CLIP top and CLIP hinges
- Offers the same quality of motion as drawer systems with BLUMOTION
- Automatically adjusts to the closing force of the door
- Simple attachment to the hinge arm
- Designed for use with Blum Euro hinges only
- Nickel-plated steel and gray nylon



For straight-arm hinges



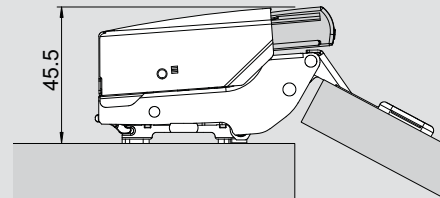
- CLIP top 107°
- CLIP top 110°
- CLIP top 110°+
- CLIP top 120°
- CLIP top 120°+
- CLIP top 95° thick door
- CLIP top 120° aluminum door
- CLIP 100°
- CLIP 107°

Part no.

Straight-arm

973A0500.01

For half-cranked arm hinges



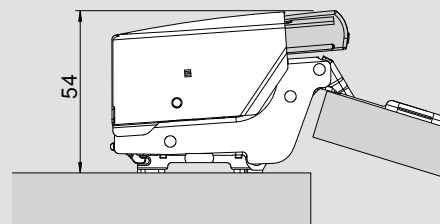
- CLIP top 107°
- CLIP top 110°
- CLIP top 120°
- CLIP top 95° thick door
- CLIP 100°
- CLIP 107°

Part no.

Half-cranked arm

973A0600

For full-cranked arm hinges



- CLIP top 107°
- CLIP top 110°
- CLIP top 95° thick door
- CLIP 100°

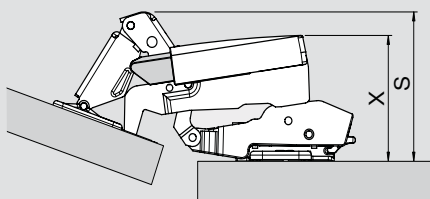
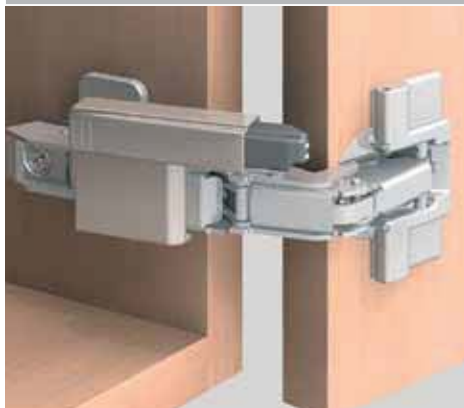
Part no.

Full-cranked arm

973A0700

Specifications

For 170° hinges



- CLIP top 170° — straight-arm
- CLIP top 170° — half-cranked

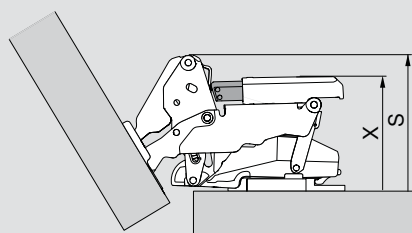
Hinge	X	S
CLIP top 170° straight-arm	49	65 max.
CLIP top 170° half-cranked	68	75 max.

Part no.

NOTE: Additional clearance of 41 mm needed above and below for interior roll-out

973A6000

For 155° hinges



- CLIP top 155° — straight-arm
- CLIP top 155° — half-cranked

Hinge	X	S
CLIP top 155° straight-arm	53	61
CLIP top 155° half-cranked	63	71

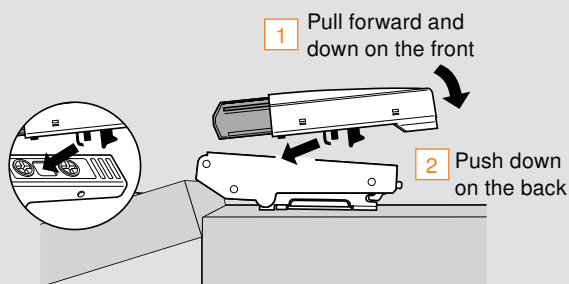
Part no.

NOTE: Additional clearance of 41 mm needed above and below for interior roll-out

973A7000

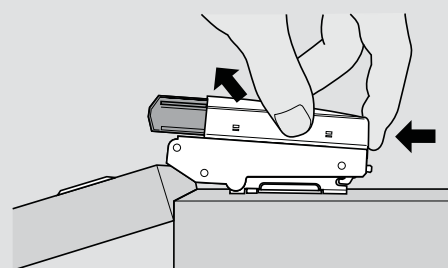
Attachment

Attach to the square hole in the hinge arm



Removal

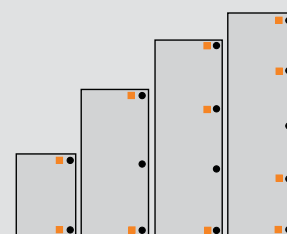
Pull forward and up simultaneously



BLUMOTION per door

- BLUMOTION 973A is designed for one BLUMOTION per self-closing hinge, however, quantity may vary depending on door size and weight
- Small or light doors may only require one BLUMOTION
- Trial application recommended

- BLUMOTION 973A
- Hinges



BLUMOTION 971A for Euro hinges

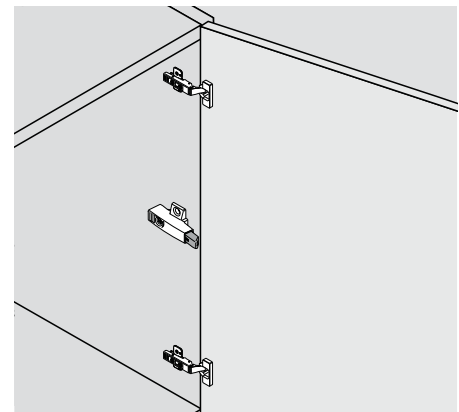
Product



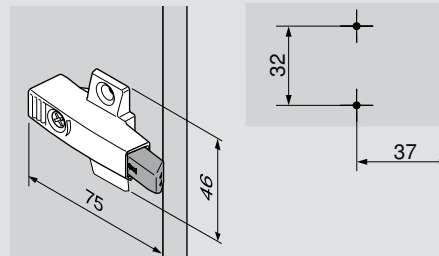
Description

- Soft-closing feature for CLIP top and CLIP straight-arm hinges
- Offers the same quality of motion as drawer systems with BLUMOTION
- Adjustable to various door sizes and weights (+3/-7 mm range)
- Installed onto hinge-side panel
- For use with straight-arm hinge and either 0 mm or 3 mm mounting plate only
- Nickel-plated steel and gray nylon

Application



Wing plate (screw-on)

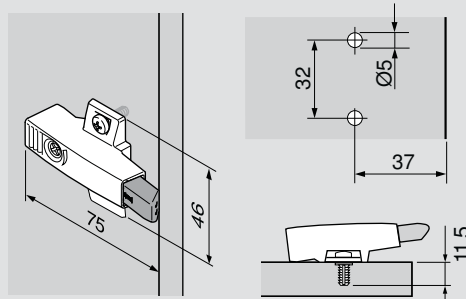


- 37 mm setback, 32 mm apart
- Attach with #6 x 5/8" wood screws

Part no.

0 mm	971A0500
Installation screw	606N or 606P

Wing plate (EXPANDO)

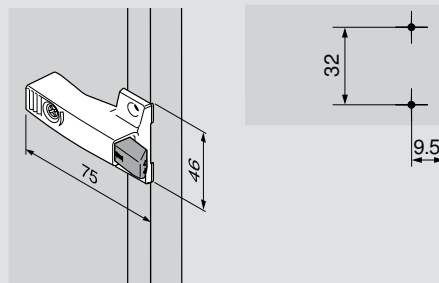


- 37 mm setback, 32 mm apart
- Attached with pre-mounted screws with 5 mm EXPANDO dowels

Part no.

0 mm	971A05E0
------	-----------------

Face frame adapter plate (screw-on)



- 9.5 mm setback, 32 mm apart
- Attach with #6 x 5/8" wood screws

Part no.

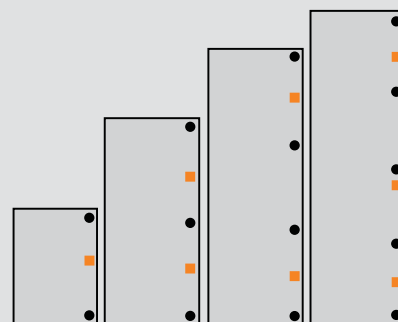
0 mm	971A0700
3 mm	971A2700
Installation screw	606N or 606P

Specifications

BLUMOTION per door

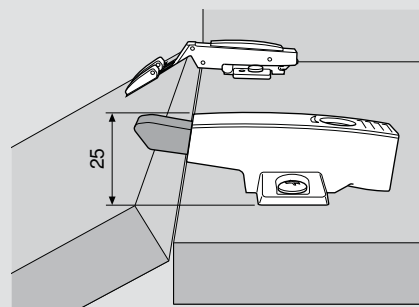
- For optimum BLUMOTION effect, BLUMOTION 971A should be installed onto the hinge side panel centered between the two hinges
- Tall or heavy doors may require an additional BLUMOTION 971A between the hinges
- Trial application recommended

■ BLUMOTION 971A
● Hinges



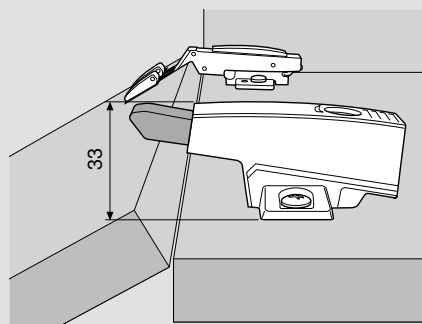
0 mm BLUMOTION application

For all hinges with a straight-arm and a 0 mm mounting plate.



3 mm BLUMOTION application

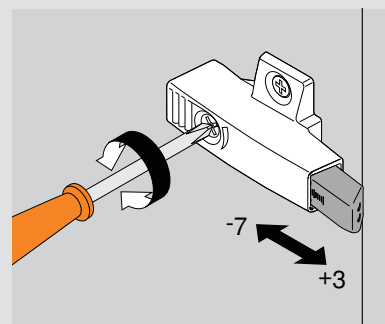
For all hinges with a straight-arm and a 3 mm mounting plate.



NOTE: 95° thick door straight-arm hinge requires 3 mm BLUMOTION

Adjustment

Use a Phillips or POZI screwdriver to adjust the contact point in or out (+3/-7 mm).
Adjust out for larger, heavier doors or adjust in for smaller, lighter doors.



BLUMOTION 970A for Euro hinges

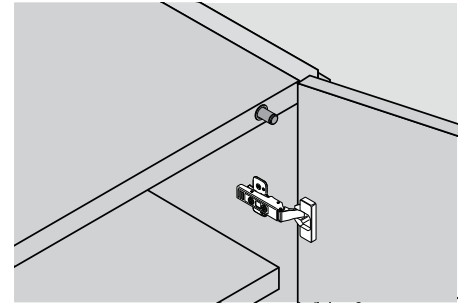
Product



Description

- Soft-closing feature for CLIP top and CLIP hinges
- Offers the same quality of motion as drawer systems with BLUMOTION
- Automatically adjusts to the closing force of the door
- Installed into the top and/or bottom panel or with adapter plates on hinge-side
- Gray nylon

Application



BLUMOTION 970A



Part no.

BLUMOTION 970A

970A1002

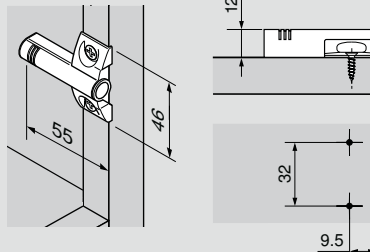
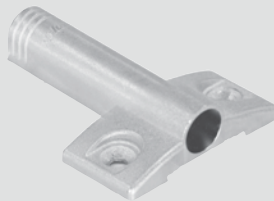
BLUMOTION per door

- BLUMOTION 970A is designed for two BLUMOTION per door, however, one may be enough depending on door size and weight
- Small or light doors may only require one BLUMOTION
- Trial application recommended

- BLUMOTION 970A
- Hinges



Face frame adapter (screw-on)



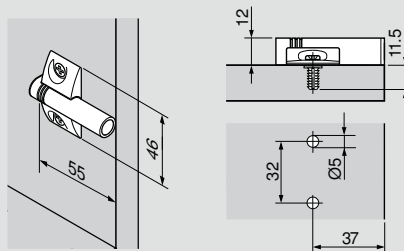
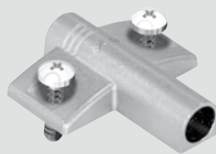
- 9.5 mm setback, 32 mm apart
- Can also be used in panel cabinets
- Attach with #6 x 5/8" wood screws
- Nickel-plated steel

Part no.

Screw-on 970.5701

Installation screw 606N or 606P

37/32 mm adapter (EXPANDO)

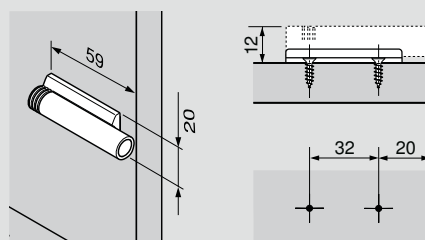


- 37 mm setback, 32 mm apart
- EXPANDO version installs with pre-attached screws
- Nickel-plated steel

Part no.

EXPANDO 970.55E1

In-line adapter (screw-on)



- 20 mm setback, 32 mm apart
- Two-piece design
- Attach with #6 x 5/8" wood screws
- Nickel-plated steel and gray nylon

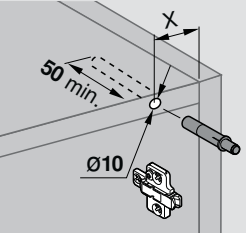
Part no.

Screw-on 970.5201

Installation screw 606N or 606P

BLUMOTION 970A

The charts below provide the boring distance based on the application and mounting plate height.



Standard applications

Boring distance (X) in mm

3 mm	35
------	----

Mounting plate height

For angled applications

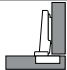
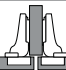

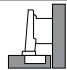
Boring distance (X) in mm

35	48
----	----


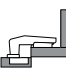
Application, refer to pages 41 to 47

35	20°
----	-----

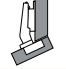
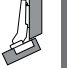
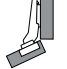
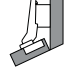
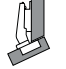
Standard application

	 Overlay boring distance	 Twin boring distance	 Inset boring distance	 Inset with straight-arm boring distance
Mounting plate height	0 mm	32	0 mm	41
	3 mm	35	3 mm	44
	6 mm	38	6 mm	47
	9 mm	41	9 mm	50

Blind corner applications

	 Inset blind corner boring distance	 Overlay blind corner boring distance
Mounting plate height		0 mm
	3 mm	51
		6 mm

Angled applications (reference angle applications page 41 to 47)

	 Max. overlay boring dist.	 Partial overlay boring dist.	 Corner merge boring dist.	 Inset boring dist.	 Mitered corner boring dist.					
5°	1	33	10	33	19	48	27	48	36	45
10°	2	33	11	33	20	48	28	48	37	45
15°	3	33	12	33	21	48	29	48	38	45
20°	4	33	13	37	22	48	30	48	39	45
25°	5	33	14	37	23	48	31	48	40	45
30°	6	33	15	41	24	48	32	48	41	45
35°	7	33	16	41	25	48	33	48		
40°	8	33	17	41			34	48		
45°	9	33	18	41	26	48	35	48		
-5°	42	37					51	48		
-10°	43	33					52	54		
-15°	44	33					53	54		
-20°	45	37					54	54		
-25°	46	33					55	54		
-30°	47	33								
-35°	48	37								
-40°	49	37								
-45°	50	37					56	54		