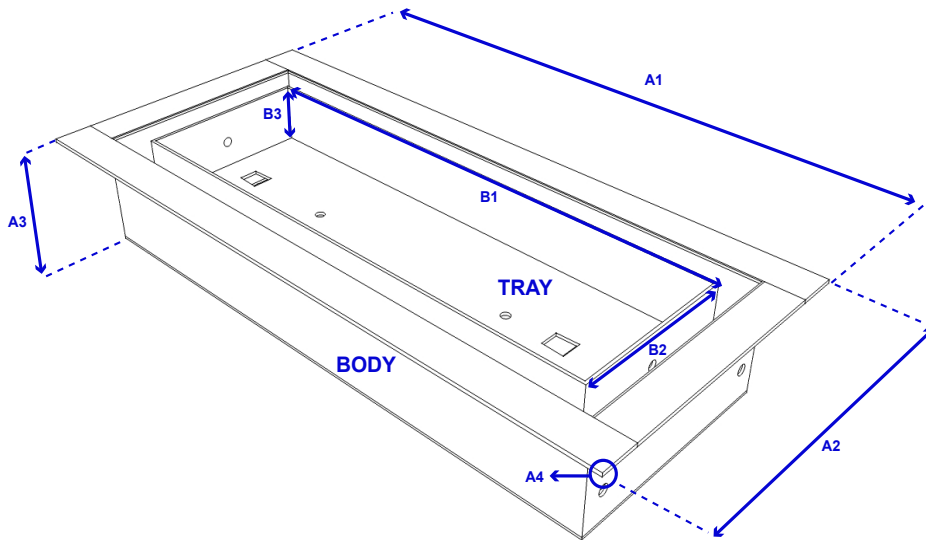


Aria OG Model  
Specification Sheet

Perspective View

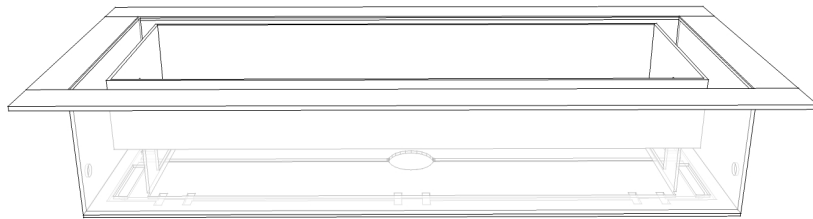


Component Dimensions

OG	3"X10"		4"x10"		4"X12"		4"X14"		6"X10"		6"X12"	
	Inches	MM	Inches	MM	Inches	MM	Inches	MM	Inches	MM	Inches	MM
A1	11"	279mm	11"	279mm	13"	330mm	15"	381mm	11"	279mm	13"	330mm
A2	4 1/16"	103mm	5"	127mm	5"	127mm	5"	127mm	7"	177mm	7"	177mm
A3	1 13/16"	46mm	1 13/16"	46mm	1 13/16"	46mm	1 13/16"	46mm	1 13/16"	46mm	1 13/16"	46mm
A4	1/32"	1mm	1/32"	1mm	1/32"	1mm	1/32"	1mm	1/32"	1mm	1/32"	1mm
B1	8 13/16"	224mm	8 13/16"	224mm	10 13/16"	275mm	12 3/4"	324mm	8 3/4"	223mm	10 3/4"	273mm
B2	2 1/2"	52mm	2 7/8"	73mm	2 7/8"	73mm	2 7/8"	73mm	4 13/16"	122mm	4 13/16"	122mm
B3	7/8"	22mm	7/8"	22mm	7/8"	22mm	7/8"	22mm	7/8"	22mm	7/8"	22mm

**Aria OG Model  
 Specification Sheet**

Side View



**COMPONENTS**

Tray: Insert finished surface material. Can slide and remove to access air flow flanges.

Body: The outer shell of the vent that houses the tray. Flange located on bottom of body.

**INSTALL NOTE**

This unit can be retrofitted and installed after the finish surface. Use your surface material to customize vent.

**COMPATIBLE SURFACE MATERIALS**

Tile, mosaic, hardwood, laminate, carpet, cork, drywall etc.

Can be installed on floors, wall and ceiling vents.

SIZE & COLOUR	3'X10"	4'X10"	4'X12"	4'X14"	6'X10"	6'X12"
MATTE BLACK	<input checked="" type="checkbox"/>	<input checked="" type="checkbox"/>	<input checked="" type="checkbox"/>	<input checked="" type="checkbox"/>	<input checked="" type="checkbox"/>	<input checked="" type="checkbox"/>
MATTE GREY	<input checked="" type="checkbox"/>	<input checked="" type="checkbox"/>				
APPLIANCE WHITE	<input checked="" type="checkbox"/>	<input checked="" type="checkbox"/>				