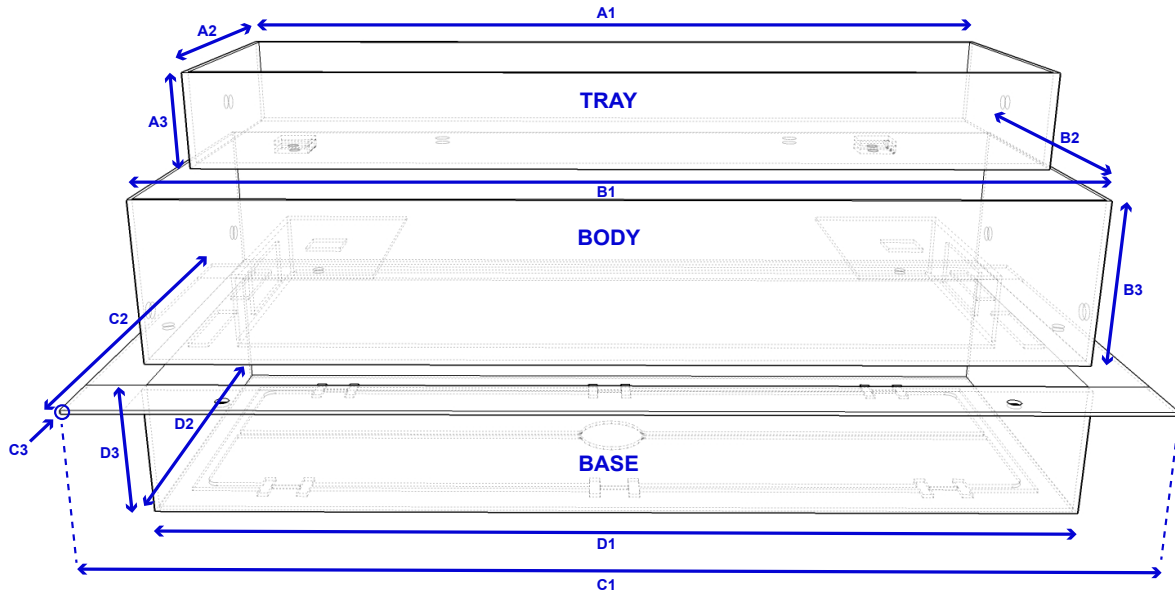


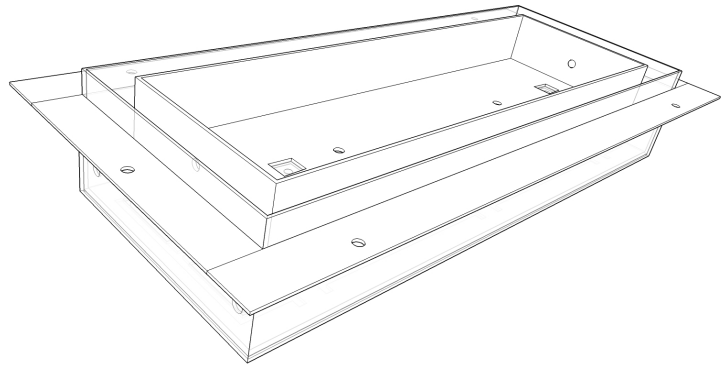
Flushmount PRO Model
Specification Sheet

Side View (expanded)



Component Dimensions

FLUSHMOUNT PRO	3"x10"		4"x10"	
	Inches	Mm	Inches	MM
A1	8 13/16"	224mm	8 13/16"	224mm
A2	2"	51mm	2 13/16"	71mm
A3	1 5/16"	24mm	1 5/16"	24mm
B1	9 3/4"	248mm	9 3/4"	248mm
B2	2 13/16"	71mm	3 3/4"	95mm
B3	1 13/16"	46mm	1 13/16"	46mm
C1	10 7/8"	276mm	11 1/16"	281mm
C2	3 7/8"	98mm	5 1/16"	129mm
C3	1/32"	1mm	1/32"	1mm
D1	9 7/8"	251mm	9 15/16"	252mm
D2	2 7/8"	73mm	3 7/8"	98mm
D3	1 5/8"	41mm	1 5/8"	41mm



COMPONENTS

Tray: Insert finished surface material. Can slide and remove to access air flow flanges.

Body: Adjustable to height of floor surface.

Base: Installed before surface material at sub-floor level.

INSTALL NOTE

This unit must be installed before flooring at sub-floor level. Use your surface material to customize vent.

COMPATIBLE SURFACE MATERIALS

Tile, mosaic, hardwood, laminate, carpet, cork etc. Material must be 1/8" thick or more. Maximum thickness is 7/8".

SIZE & COLOUR	4"x10"	3"x10"
MATTE BLACK	☑	☑
MATTE GREY		
APPLIANCE WHITE		