

# NEW WORKS.



## Tense Pendant Lamp Ø70

Panter & Tourron

A new little cloud has floated in. The popular Tense Pendant Lamp is now available with a diameter of 70 cm, in addition to the sizes Ø90 and Ø120 cm. Ideal for smaller spaces or mounted in poetic formations along with the other sizes. Like the other Tense pendants, the lamp consists of a light-weight shade made of the material Tyvek, which is both durable and soft – whilst being 100% recyclable. The flexibility of this paper-like diffuser allows its slim frame to accentuate the cloud like qualities of the lamp. Finished with a slimline LED light source, all components fit into a slim box for ease of transport.

### Specifications

**Product Name**

Tense Pendant Lamp Ø70

**Designer**

Panter & Tourron

**Category**

Lighting

**Type**

Pendant

**Year**

2021

**Material**

Shade in Tyvek membrane (100% recyclable) tightened up with carbon rods, cord in black PVC and dimmable LED light source.

**Colour/Variant**

White Tyvek

**Product Dimensions**

H: 150 x D: 600 x W: 700 mm

**Packaging Dimensions**

H: 482 x W: 995 x D: 138 mm

**Canopy**

Ø: 140 x H: 50 mm (holds driver and excess cord)

**Cord**

Black PVC, 5000 mm

**Weight (incl. packaging)**

5.8 kg

**Country of Origin**

China

**Master Packaging**

1

**Certification**

CE, Class II, IP22

**Bulb**

Light source included. Min. 50,000 hours

**Light Source**

LED 22W, 3000K (Results in approx. 2700K through lamp shade) Mains dimmable, trailing edge, no digital transformer needed. Output: 36 Va / 550 Ma Input: 230VA/110mA, 50/60Hz, PF=0,95 Lumen: 2,000 lm, CRI: 80.

**EAN No**

5712826212301

**Item No**

21230

**Safety Precautions**

The lamp is only intended for indoor use. Consult a professionally qualified electrician if any doubt.

**Cleaning**

Turn off the electricity before cleaning the lamp. Clean gently with a duster.

# NEW WORKS.

*Product Fact Sheet - Lighting - Tense Pendant Lamp, Ø90*



## **Tense Pendant Lamp, Ø90** *Panter & Tourron*

Stretching to over one metre in length, the Tense pendant lamp appears like a soft cloud has floated in. A truly modern construction, its soft Tyvek diffuser represents a material both durable and soft – whilst being 100% recyclable. The flexibility of this paper-like diffuser allows its slim frame to accentuate the cloud like qualities of the Tense pendant lamp. Finished with a slimline LED light source, all components fit into a slim box for ease of transport. A truly modern approach to lighting.

### **About the designer Panter & Tourron**

With a strong focus on research into new formal codes and visual experiences, the Swiss studio of Panter & Tourron works at the intersection of technology, design and society. Material and technological innovation allows for unexpected work that is set to redefine a new vision of luxury. Fresh from collecting the Dezeen Award for their innovative Tense collection, the studio pushes the boundaries of contemporary design today.

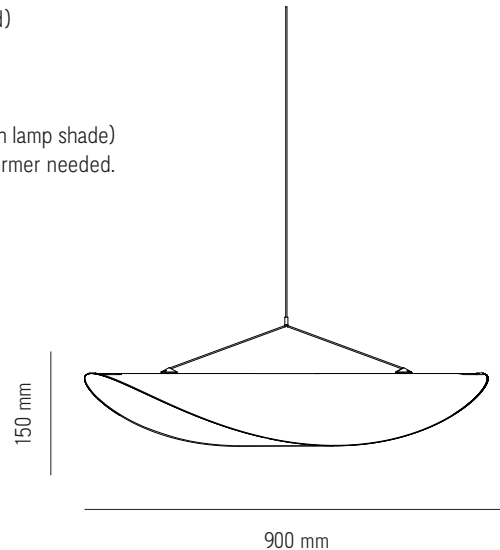
<b>Ean No</b>	<b>Item No</b>	<b>Variation</b>
5712826212103	21210	White Tyvek

# NEW WORKS.

Product Fact Sheet - Lighting - Tense Pendant Lamp, Ø90

## Specifications

<b>Product Name</b>	Tense Pendant Lamp
<b>Designer</b>	Panter & Tourron
<b>Year</b>	2020
<b>Category</b>	Lighting
<b>Type</b>	Pendant
<b>Material</b>	Shade in Tyvek membrane (100% recyclable) tightened up with carbon rods, cord in black PVC and dimmable LED light source.
<b>Colour/Variant</b>	White Tyvek
<b>Product Dimensions</b>	H: 150 x D: 800 x W: 900 mm
<b>Packaging Dimensions</b>	H: 520 x W: 1065 x D: 120 mm
<b>Cord</b>	Black PVC cord, L: 5000 mm, Ø: 4 mm
<b>Canopy</b>	Ø: 195 x H: 50 mm (holds driver and excess cord)
<b>Weight (incl. Packaging)</b>	- kg
<b>Light Source</b>	LED 22W, 3000K (Results in approx. 2700K through lamp shade) Mains dimmable, trailing edge, no digital transformer needed. Output: 36 Va / 550 Ma Input: 230VA/110mA, 50/60Hz, PF=0,95 Lumen: 2,000 lm, CRI: 80.
<b>Bulb</b>	Light source included. Min. 50,000 hours.
<b>Certification</b>	CE, Class II, IP22
<b>County of origin</b>	China
<b>Master packaging</b>	1



## Cleaning & Care Guide

Turn off the electricity before cleaning the lamp. Clean gently with a duster.

## Safety Precautions

The lamp is only intended for indoor use, and consult a professionally qualified electrician if any doubt.

# NEW WORKS.

*Product Fact Sheet - Lighting - Tense Pendant Lamp, Ø90*

## Details



# NEW WORKS.

Product Fact Sheet - Lighting - Tense Pendant Lamp, Ø120



## Tense Pendant Lamp, Ø120

*Panter & Tourron*

Stretching to over one metre in length, the Tense pendant lamp appears like a soft cloud has floated in. A truly modern construction, its soft Tyvek diffuser represents a material both durable and soft – whilst being 100% recyclable. The flexibility of this paper-like diffuser allows its slim frame to accentuate the cloud like qualities of the Tense pendant lamp. Finished with a slimline LED light source, all components fit into a slim box for ease of transport. A truly modern approach to lighting.

### About the designer Panter & Tourron

With a strong focus on research into new formal codes and visual experiences, the Swiss studio of Panter & Tourron works at the intersection of technology, design and society. Material and technological innovation allows for unexpected work that is set to redefine a new vision of luxury. Fresh from collecting the Dezeen Award for their innovative Tense collection, the studio pushes the boundaries of contemporary design today.

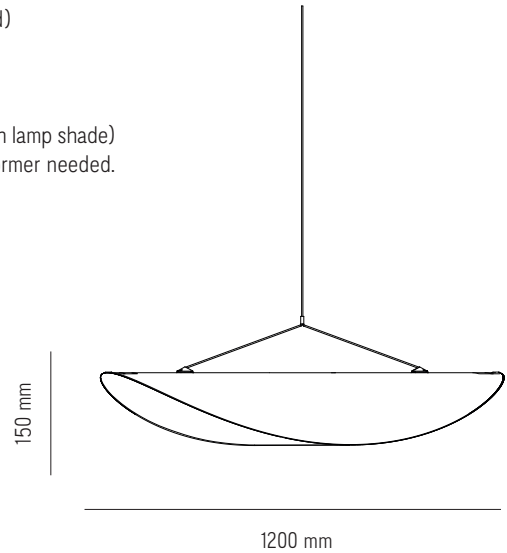
Ean No	Item No	Variation
5712826212202	21220	White Tyvek

# NEW WORKS.

Product Fact Sheet - Lighting - Tense Pendant Lamp, Ø120

## Specifications

<b>Product Name</b>	Tense Pendant Lamp
<b>Designer</b>	Panter & Tourron
<b>Year</b>	2020
<b>Category</b>	Lighting
<b>Type</b>	Pendant
<b>Material</b>	Shade in Tyvek membrane (100% recyclable) tightened up with carbon rods, cord in black PVC and dimmable LED light source.
<b>Colour/Variant</b>	White Tyvek
<b>Product Dimensions</b>	H: 150 x D: 800 x W: 900 mm
<b>Packaging Dimensions</b>	H: 640 x W: 1180 x D: 120 mm
<b>Cord</b>	Black PVC cord 5000 mm
<b>Canopy</b>	Ø: 195 x H: 50 mm (holds driver and excess cord)
<b>Weight (incl. Packaging)</b>	- kg
<b>Light Source</b>	LED 22W, 3000K (Results in approx. 2700K through lamp shade) Mains dimmable, trailing edge, no digital transformer needed. Output: 36 Va / 550 Ma Input: 230VA/110mA, 50/60Hz, PF=0,95 Lumen: 2,000 lm, CRI: 80.
<b>Bulb</b>	Light source included. Min. 50,000 hours.
<b>Certification</b>	CE, Class II, IP22
<b>County of origin</b>	China
<b>Master packaging</b>	1



## Cleaning & Care Guide

Turn off the electricity before cleaning the lamp. Clean gently with a duster.

## Safety Precautions

The lamp is only intended for indoor use, and consult a professionally qualified electrician if any doubt.

# NEW WORKS.

*Product Fact Sheet - Lighting - Tense Pendant Lamp, Ø120*

## Details

