

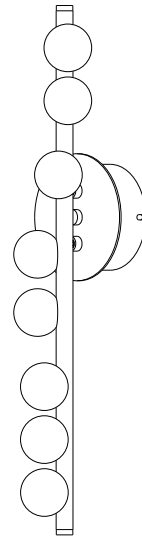
houseof *lighting*

# led opal ball wall light

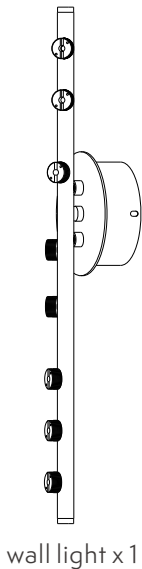
Make sure you get a qualified electrician to fit this new light. Shut of the power supply before installing this light.

Any questions?

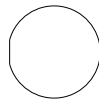
[help@houseof.com](mailto:help@houseof.com)



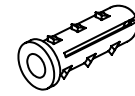
## what's in the box



wall light x 1



glass shade x 9  
(spare shade included)



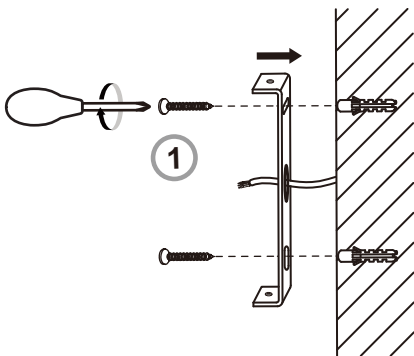
wall plug x 2



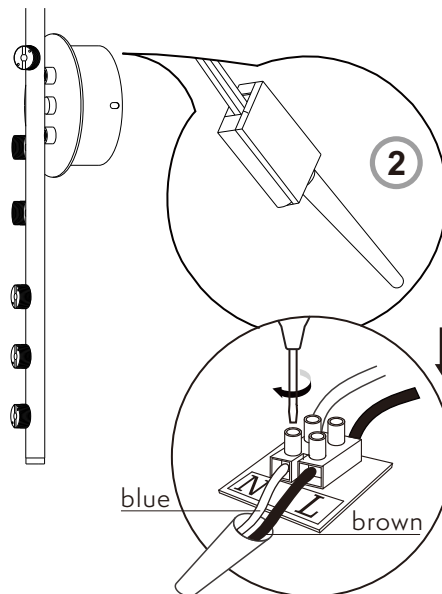
screw x 2

## assembly instructions

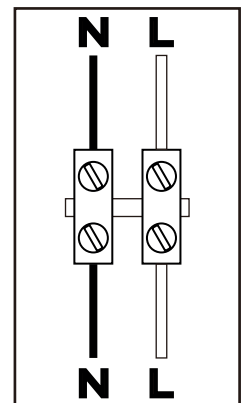
1



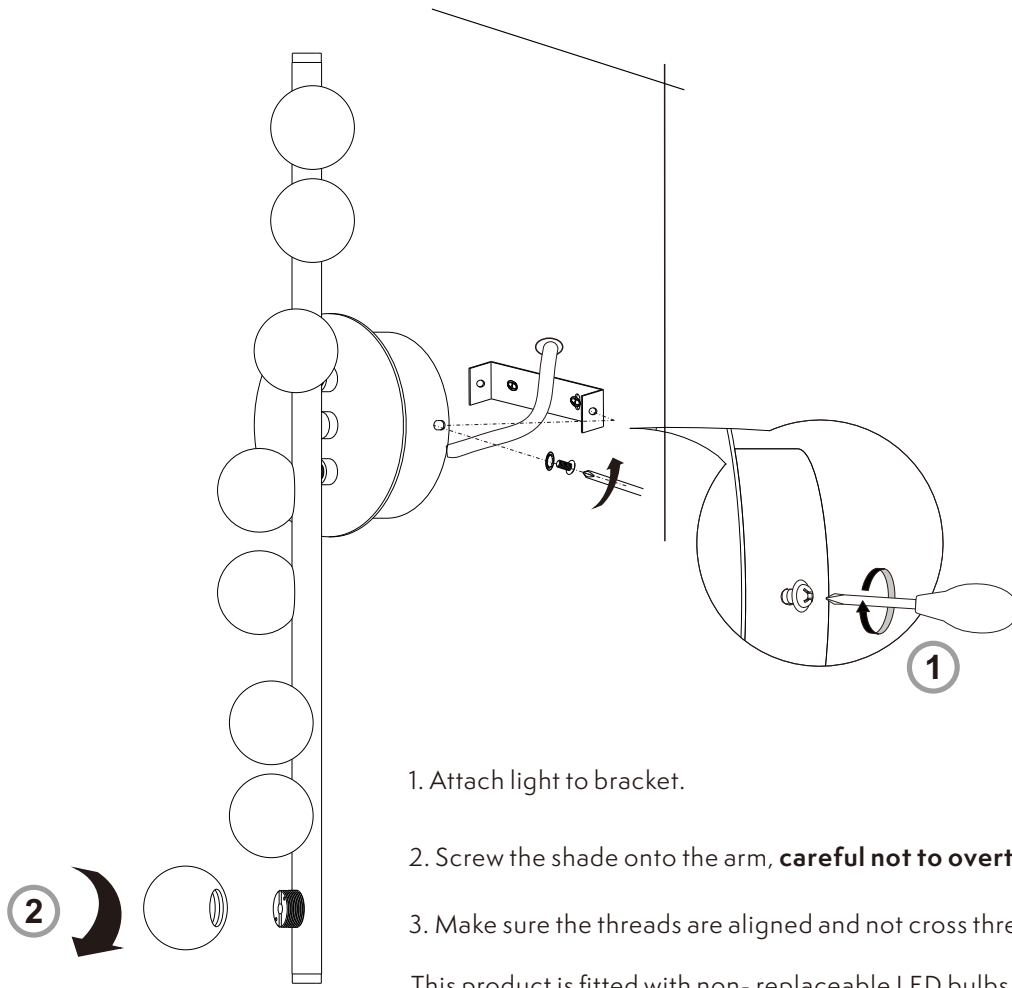
1. Screw bracket to wall.



2. Connect the lighting terminal block to the main supply.



2



1. Attach light to bracket.

2. Screw the shade onto the arm, **careful not to overtighten.**

3. Make sure the threads are aligned and not cross threaded.

This product is fitted with non- replaceable LED bulbs.