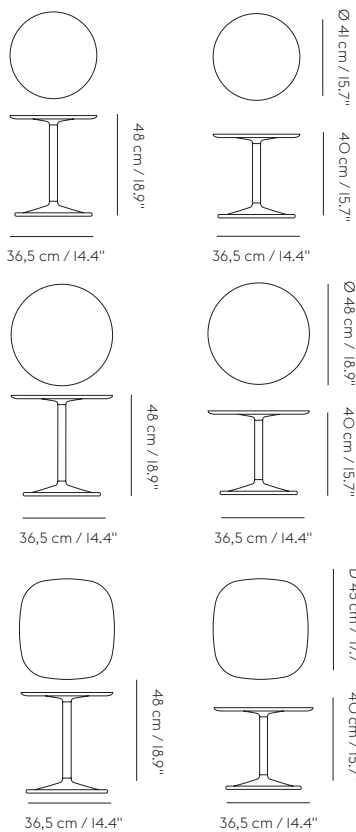


# SOFT SIDE TABLE



**JENS FAGER ON THE DESIGN** "I wanted to create something that was subtle yet characterful with the Soft Side Table, making a world of softened surfaces and understated functionalities come together into one. Referencing the archetypal center table, the Soft Side Table has a quiet presence that allows for it to complement any atmosphere while echoing a modern elegance through its refined lines and slender form."



## DESIGNED BY / YEAR OF DESIGN

Jens Fager / 2021

## ABOUT THE DESIGNER

Jens Fager is one of Sweden's most interesting young designers. A graduate from Konstfack University in Stockholm, he has already made an international impact with exhibition in London, Milan and Stockholm.

## CATEGORY

Side table

## ENVIRONMENT

Indoor

## COUNTRY OF PRODUCTION

Denmark and Sweden

## PREASSEMBLED

No

## DESCRIPTION

The Soft Side Table is both subtle yet characterful with its softened surfaces and understated functionalities. Comes in a variety of sizes and finishes that will complement any atmosphere and space.

## MATERIAL

The Soft Side Table's base is made from powder coated, die-casted aluminum (made with at least 97 % recycled aluminum) and comes with pre-mounted glides.

Tabletop in MDF with nanolaminate (Black), laminate (Dusty Green, Orange) or linoleum (Off-white) surface, in Solid Oak or in Solid Smoked Oak. Laminate, Solid Oak and Solid Smoked Oak tabletops are made using FSC™ (FSC-CO28824) certified wood.

## CLEANING AND CARE

**Powder coated surfaces:** Clean with a moist cloth. If necessary, use a little dish soap on the cloth.

**Laminate & Linoleum:** Clean the table with a damp cloth. If necessary, only use a mild detergent or washing up liquid and not concentrated. Always wipe with a dry cloth afterwards. To minimize the risk of stains and marks, liquid, grease etc. should be removed straight away. For linoleum versions, linoleum care is recommended for optimum saturation of the natural material 2-3 times a year. It is recommended to clean linoleum versions with a damp cloth and a pH neutral cleaner and wipe dry to remove any residues.

**Solid Oak & Solid Smoked Oak:** Upon receiving your table, we recommend that tabletop and bottom is treated with special oak wood oil, improving its resistance to stains and fluids. We also recommend that you continue caring for the product by repeating this treatment 2-3 times a year. For products in Solid Oak, we recommend using a tabletop oil with a small amount of white pigment, suitable for food applications. For products in Smoked Oak, we recommend using a smoked tabletop oil, suitable for food applications\*. Clean tabletop often and carefully with a soft and dry cloth following the wood's grain patterns. The product should not be exposed to excessive humidity, heat, or direct sunlight.

\*Please contact [customercare@muuto.com](mailto:customercare@muuto.com) for recommendations on specific oak wood oils available in your region.

## READY-TO-SHIP OPTIONS





## SOFT SIDE TABLE

### TEST & CERTIFICATIONS

EN 15372:2016 - L3: Extreme use. Furniture – Strength, durability and safety – Requirements for non-domestic tables.

ANSI/BIFMA X5.5-2014. American National Standard for Office Furnishings-Desk Products.



For more on responsible forestry