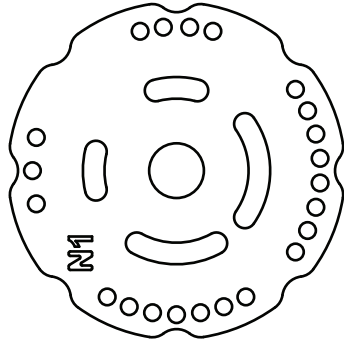


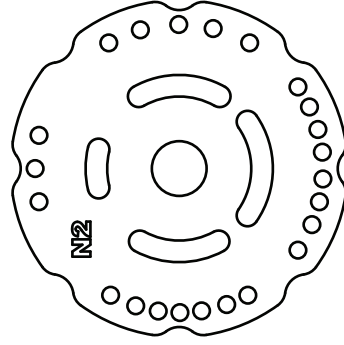
AVAILABLE INDEX PLATES



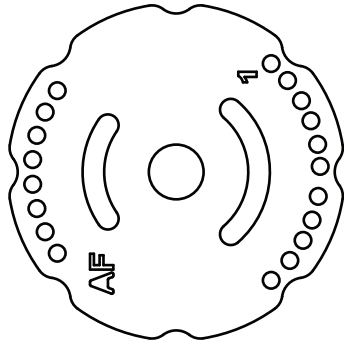
# SELECT-A-HUB SERIES 2



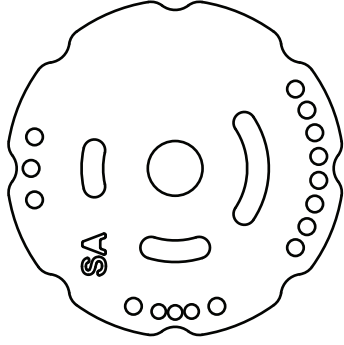
SHIMANO NEXUS 3, 4, 7, & 8 speed  
(& ALFINE 8 speed)



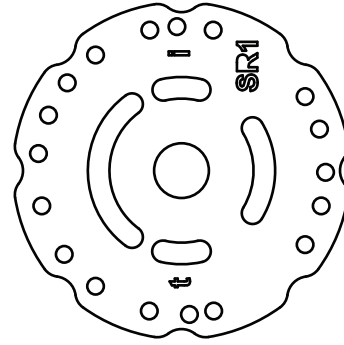
SHIMANO NEXUS 3, 5, 7, & 8 speed  
(& ALFINE 8 speed)



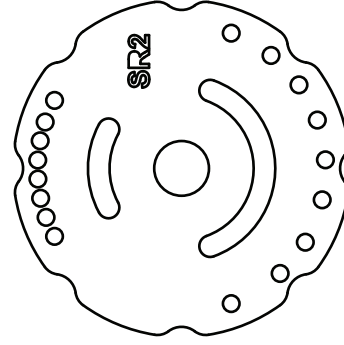
SHIMANO ALFINE 8 & 11 speed



STURMEY ARCHER 3, 5 (wide-range),  
& 8 speed (wide-range)



SRAM T3, i3, P5 & S7

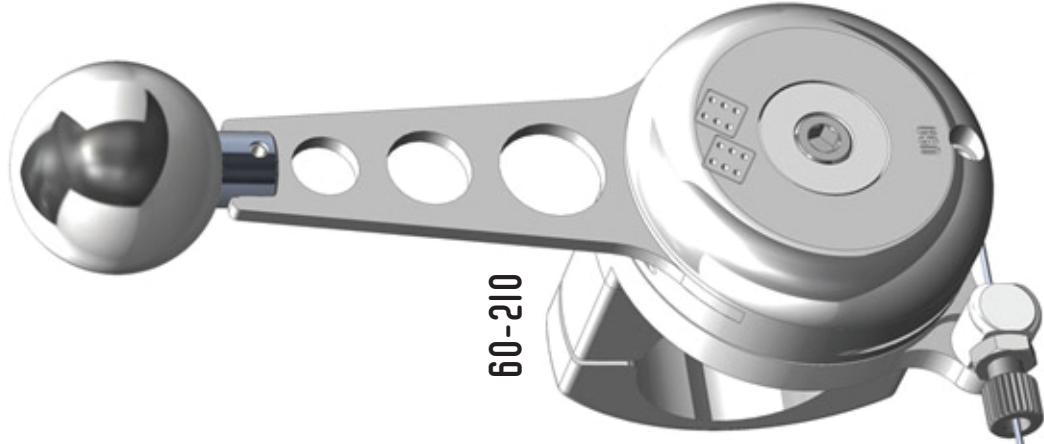


SRAM G8 & i9

HUSTOM LEVER STYLES!  
PRECISION INDEXING  
PATENT PENDING  
MADE IN USA



60-200



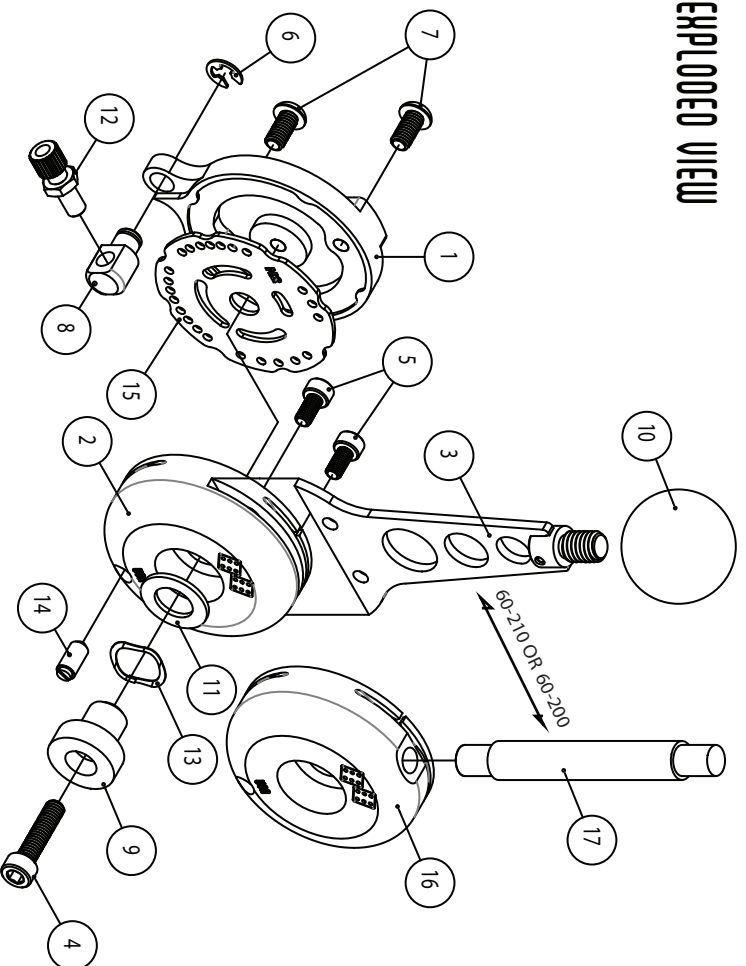
60-210

(SHOWN WITH OPTIONAL CLAMPS)

## 60-200 SERIES PARTS/ CONFIGURATION MANUAL

# SELECT-A-HUB SERIES 2

## EXPLODED VIEW

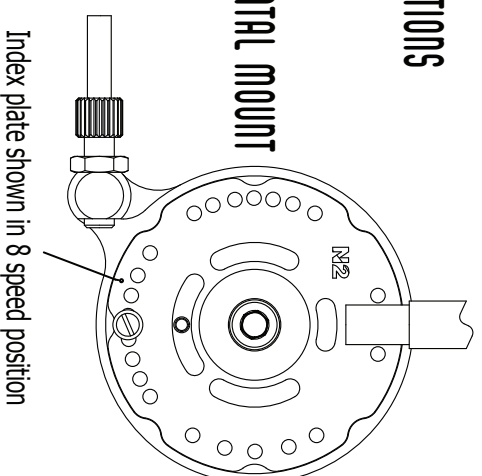


ITEM	PART NUMBER	DESCRIPTION	QTY.
1	60-M1003	METRIC SHIFTER BODY	1
2	60-A1005	LEVER HUB ASSY. NO. 2	1
3	60-A1007	SHIFT LEVER (STYLES VARY)	1
4	60-F1001	M6 X 25mm SHCS	1
5	60-F1002	M5 X 10mm SHCS	2
6	60-F1003	6mm E-CLIP	1
7	60-F1004	M6 X 12mm BHCS	2
8	60-M1004	CABLE ADJUSTER BOSS	1
9	60-M1011	SPINDLE	1
10	60-R1002	STANDARD Ø1.38" KNOB	1
11	60-R1005	THRUST WASHER	1
12	60-R1006	M6 CABLE ADJUSTER	1
13	60-R1007	WAVE WASHER	1
14	60-R1016	M6 X 1.0 BALL DETENT	1
15	60-S1006	INDEX PLATE	1
16	60-A1003	LEVER HUB ASSY. NO.1 (FOR 60-200)	1
17	60-R1001	SHIFT LEVER (FOR 60-200)	1

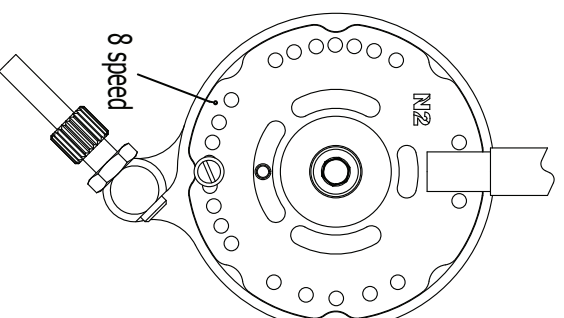
\* ! IMPORTANT ! Bolts should not touch index plate when tightened.

## CONFIGURATIONS

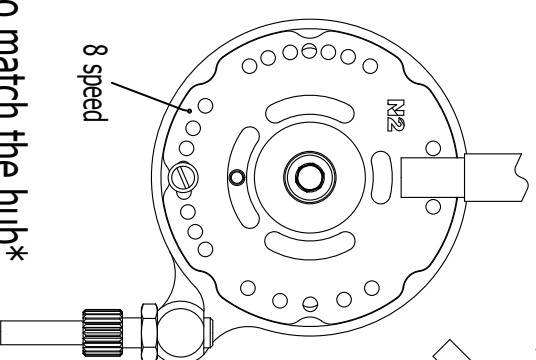
### HORIZONTAL MOUNT



### 45 DEGREE MOUNT



### VERTICAL MOUNT



Rotate index plate to match the hub\*  
and mounting position \* NEXUS version shown