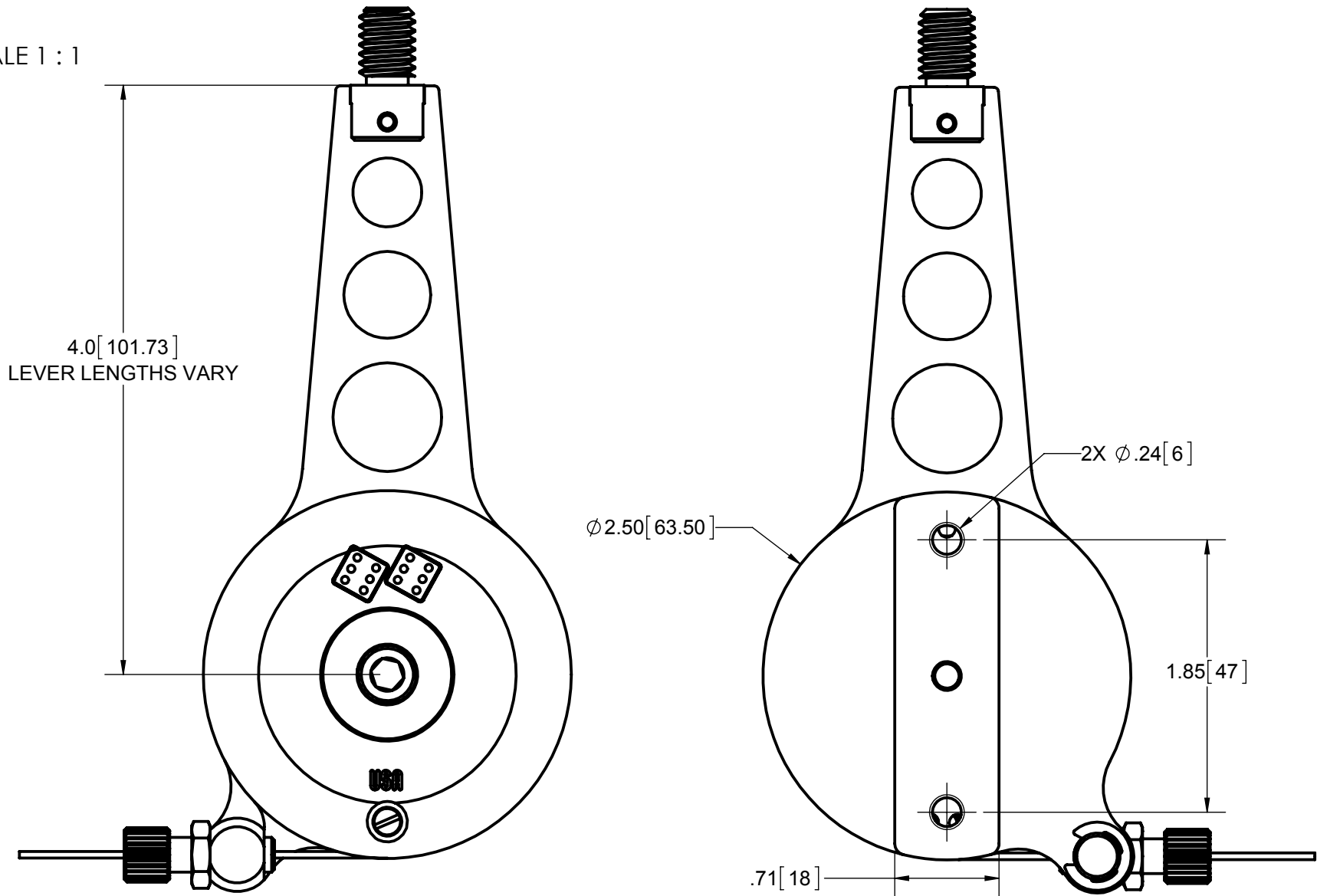


SCALE 1 : 1



MOUNTING TEMPLATE

NOTES:

1. PARTS PROCESSED OUTSIDE ARE TO USE DECIMAL DIMENSIONS AND TOLERANCES.
2. ALL HOLES ON CENTER UNLESS OTHERWISE SPECIFIED.
3. FOR TUBES, ALL HOLES ARE TO BE THRU (B.W.) UNLESS OTHERWISE SPECIFIED (O.W.) ONE WALL.
4. BREAK ALL EDGES (0.005 - 0.010).

REV.	DESCRIPTION	DATE
	REVISIONS	

MATERIAL:		DESCRIPTION:	
TOLERANCE (UNLESS OTHERWISE SPECIFIED) ALL DIMENSIONS ARE IN INCHES PART ASSEMBLY X.XX ±.03 ±.06 X.XXX ±.010 ±.030 FRACTIONS ±1/32 ±1/16 ANGLES ±1° ±1°		PROPRIETARY AND CONFIDENTIAL THIS DOCUMENT AND/OR ELECTRONIC FILE IS THE PROPERTY OF BOXKARS AND CONTAINS CONFIDENTIAL AND PROPRIETARY INFORMATION. DO NOT DISCLOSE TO OTHERS. ALLOW USE BY OTHERS, OR ALLOW DUPLICATION BY OTHERS EXCEPT AS AUTHORIZED BY BOXKARS IN WRITING. BOXKARS 13952 Mango Dr. Del Mar, CA 92014 (858) 220-3431	
DO NOT SCALE DRAWING.		DRAWN BY: JM DATE: 6.10.14	CHKD BY: PAGE 1 OF 1
		PART NO.	60-201