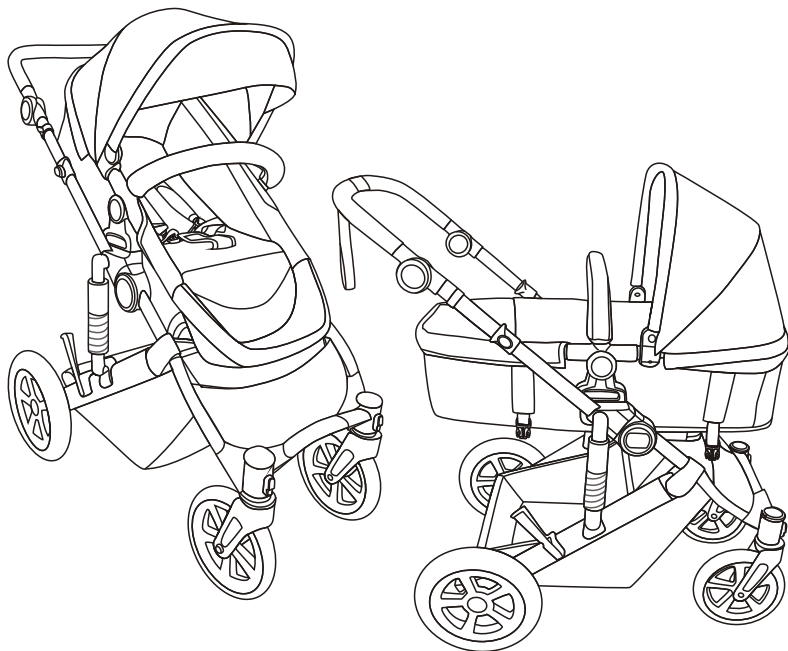


noolaElite



Baby stroller

WA32 2IN1

INSTRUCTION MANUAL

Important: Keep these instructions for future reference.

WARNING: Don't carry additional children, bags, goods or accessories in the stroller except those recommended by the manufacture.

WARNING: To avoid injury ensure that your child is kept away when unfolding and folding this product.

WARNING: Never leave your child unattended.

WARNING: Do not let your child to play with this product.

WARNING: Before making adjustments to the stroller, ensure that the child's body is clear of any moving parts.

WARNING: Always use the restraint system.

WARNING: Child may slip into leg openings and strangle. Never use in reclined carriage positions.

WARNING: Do not allow the child to stand up on the seat.

WARNING: This stroller is designed for one child only.

WARNING: Do not hang bags on the handle, as this will affect the stroller's stability.

WARNING: Do not use on escalators or stairs. Fold the stroller and carry it by hands.

WARNING: Check that the pram body or seat unit or car seat attachment devices are correctly engaged before use.

WARNING: This product is not suitable for running or skating.

WARNING: Always activate the brakes when stop the stroller, put or take off any accessories.

WARNING: Ensure that all the locking devices are engaged before use.

WARNING: Any goods carried in the basket should not exceed 5 kg;

WARNING: Do not overload as the stroller may become unstable. Maximum weight must not exceed 25kg in the seat unit.

WARNING: Do not add additional mattress thicker than 5mm.

WARNING: Bassinet mode, suitable from birth until child can sit unaided. Max weight of the child: 9kg.

WARNING: Seat unit mode: This seat unit is not suitable for children under 6 months, Max weight of the child: 25kg.

WARNING: Use a harness as soon as your child sit unaided. .

WARNING: Do not use the stroller near open fire, exposed flame, barbecue or heater.

WARNING: Do not use the stroller if any screws, nuts, bolts, etc. are missing or any component is damaged.

WARNING: This seat unit is not suitable for children under 6 months (used as seat unit).

WARNING: Do not lift the stroller by the bumper bar it may disengage.

WARNING: Note that the fabric patterns and stroller accessories in this instruction may vary from the one you have purchased.

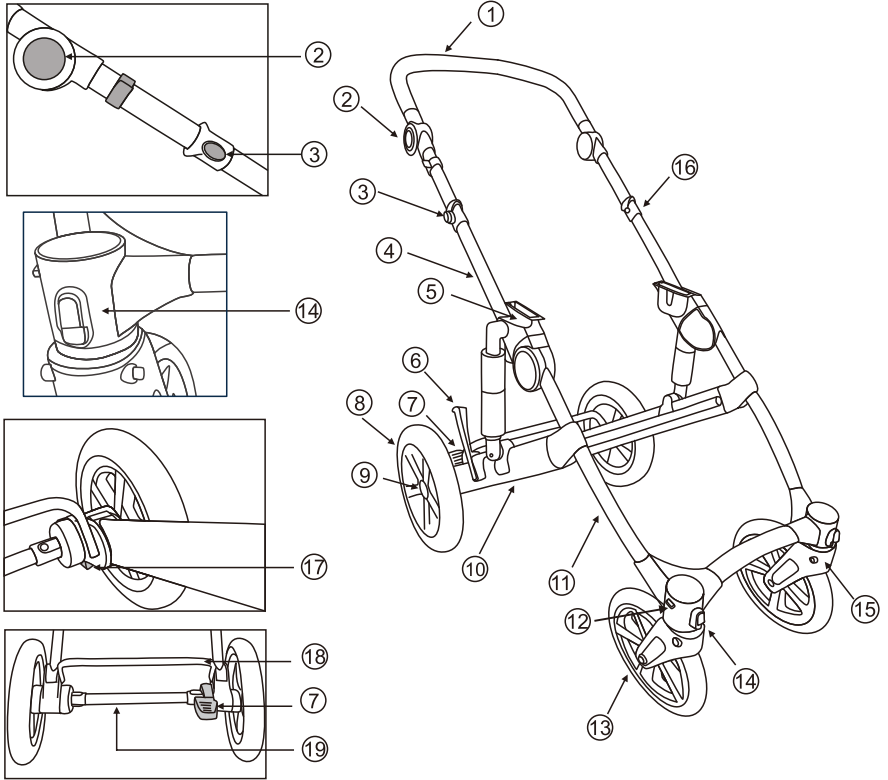
WARNING: Only replacement parts supplied or recommended by the manufacturer/ distributor shall be used.

WARNING: Always apply the brakes when the pushchair is stationary, and when placing and removing children.

WARNING: Please be sure to use a mattress when the product is suitable for the use of a newborn baby.

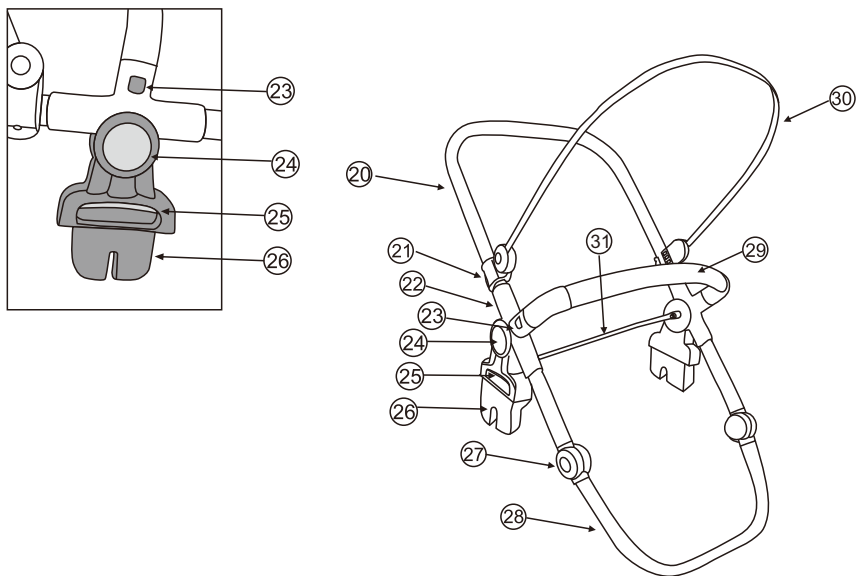
This product complies with EN1888:2012.

Stroller frame parts



- | | | |
|-----------------------------|--------------------------------------|-------------------------------------|
| 1. Handle grip | 9. Wheel cap | 17. Rear wheel quick release button |
| 2. Adjustable handle button | 10. Rear leg tube | 18. Stabilizing tube |
| 3. Folding lever button | 11. Front leg tube | 19. Brake line tube |
| 4. Handle tube | 12. Front wheel quick release button | |
| 5. Main connector | 13. Front wheel | |
| 6. Auto lock | 14. Directional lock | |
| 7. Brake and release pedal | 15. Front wheel socket | |
| 8. Rear wheel | 16. Folding lever | |

Seat unit parts



20.Seat unit upper

21.Canopy holder

22.Connectors of seat unit

23.Safety bar button

24.Seat unit adjustment

25.Seat unit release catch

26.Seat unit base

27.Adjustable leg rest
button

28.Seat unit bottom

29.Safety bar

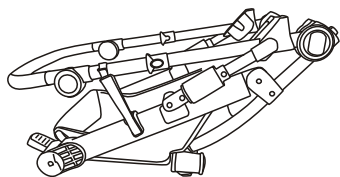
30.Canopy frame

31.Seat unit supporting
lever

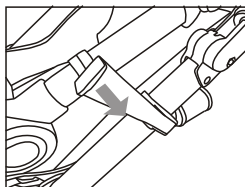
To open the stroller frame

WARNING! To avoid injury ensure that your child is kept away when unfolding and folding this product.

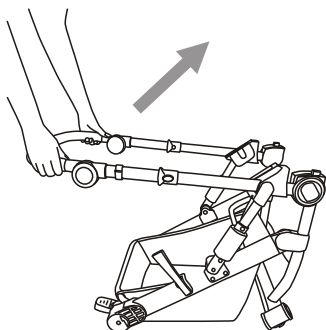
1. The status when it's folded.



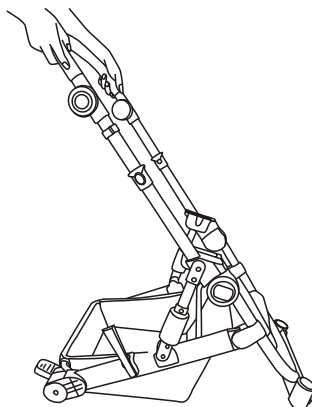
2. Release the folding hook as the picture shows.



3. Hold the handles and lift upwards until the chassis is fully expanded.

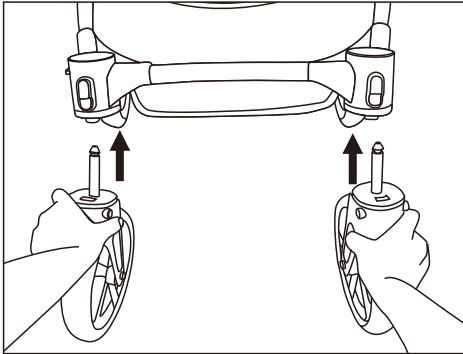


4. The status when it's unfolded.



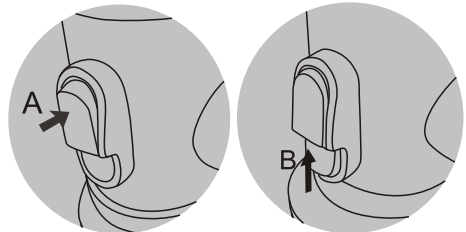
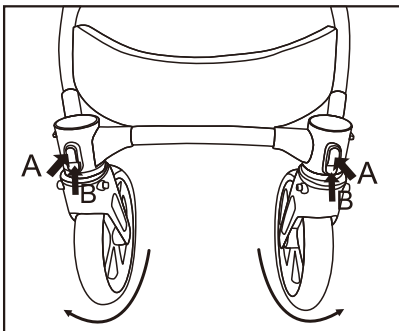
Front wheel assembly

Insert the front wheels into the front legs until you hear a click sound.



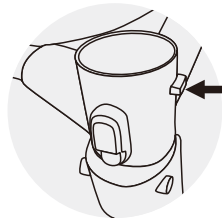
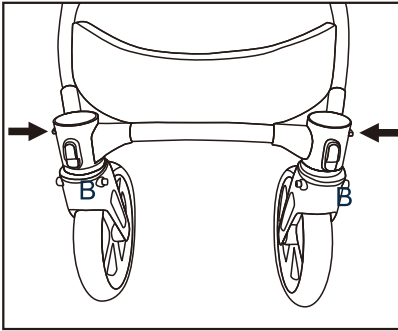
The front wheel orientation

Push in the upper part of the direction lock to lock the front wheel (as A shows), push up the button to achieve 360 degree rotation (as B shows).



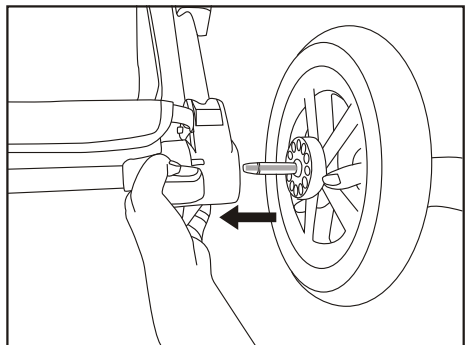
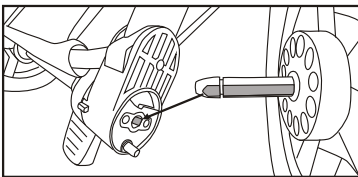
Front wheel release

Hold down the button which are on either side of the front wheel, wheels can be quickly removed



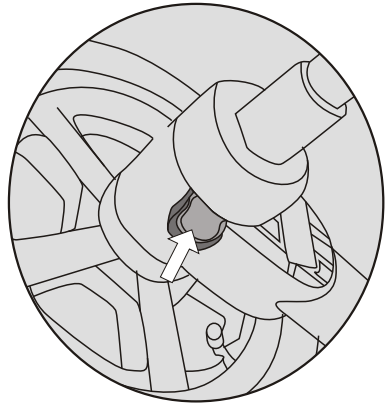
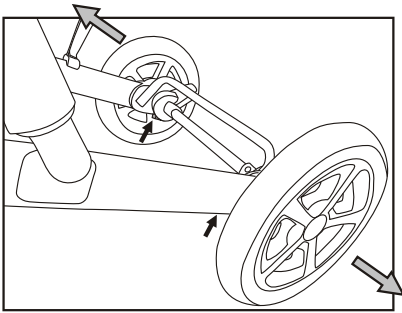
Rear wheel assembly

Adjust the direction of the rear axle, make sure you have correctly lined up the flat edge on the axle with the flat edge of the hole. Then push the rear axle into the whole, until you hear a click sound. Ensure that it is engaged before use.



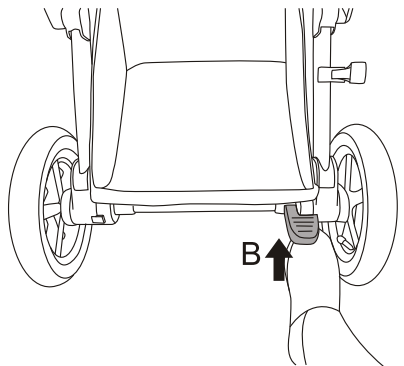
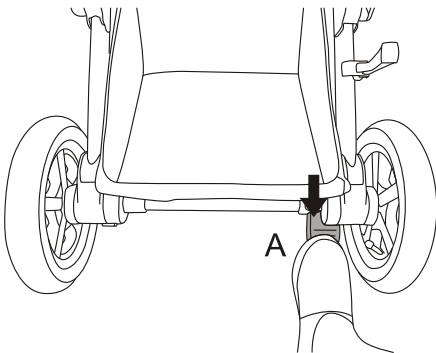
Rear wheel release

Press the rear wheel quick release button to unlock the rear wheels (as the pictures shows).



To use the brake

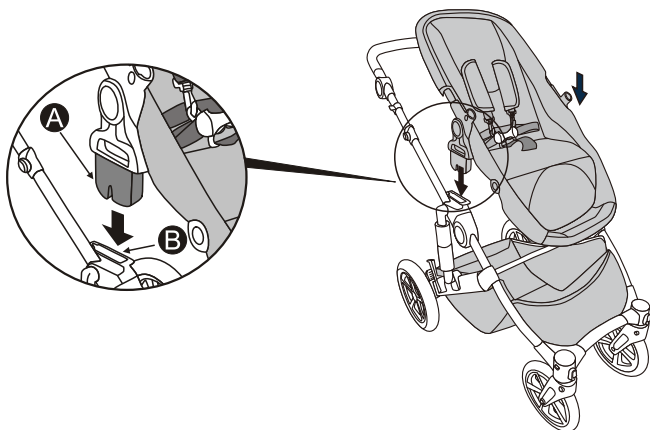
1. Step down the brake pedal until you hear a click sound to engage brake mechanism(A).
2. Step up the brake pedal to unlock the brakes(B).



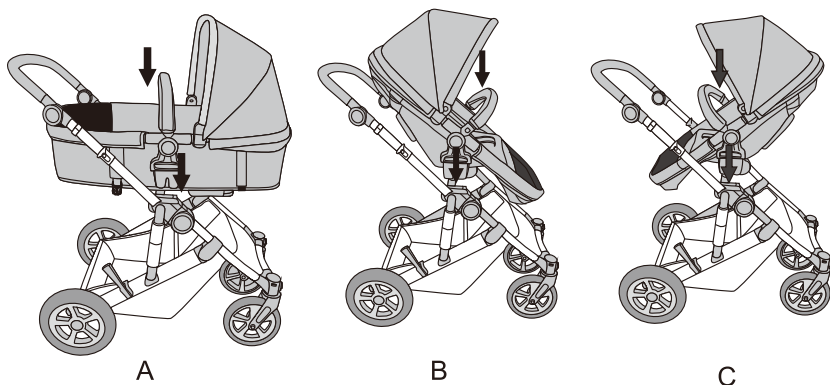
To install the seat unit

WARNING: This stroller is suitable for child from 6 months to 25kg used as seat unit and suitable for child from birth to 9kg used as carrycot. Please use the safety belts when the child can sit unaided.

Match the connector (A) of both sides of the seat unit in to the basement (B) on the stroller until you hear a click sound to make sure it is installed correctly.



IMPORTANT: When use it as a carrycot, please install it facing to parents (A). You can install it facing to parents (C) or forward (B) when you use it as a seat unit.

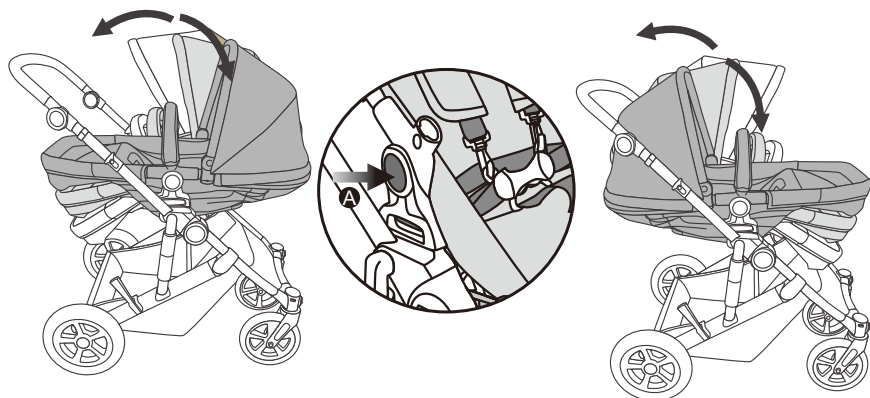


Seat unit adjustment

WARNING! This seat unit is not suitable for children under 6 months(used as seat unit).

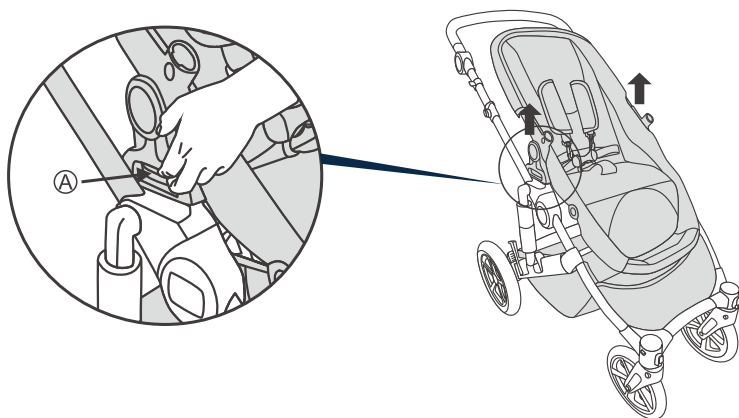
When use as seat unit, push the adjustment button at the same time on both sides of the seat unit to adjust the sitting angles.

Note: Only make it level condition when use it as a carrycot.



Seat unit release

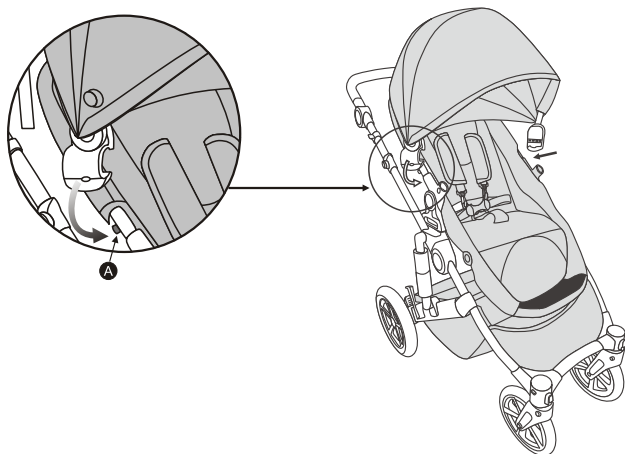
Push the release button on both sides of the seat unit and pull up the seat unit to release it.



Canopy assembly

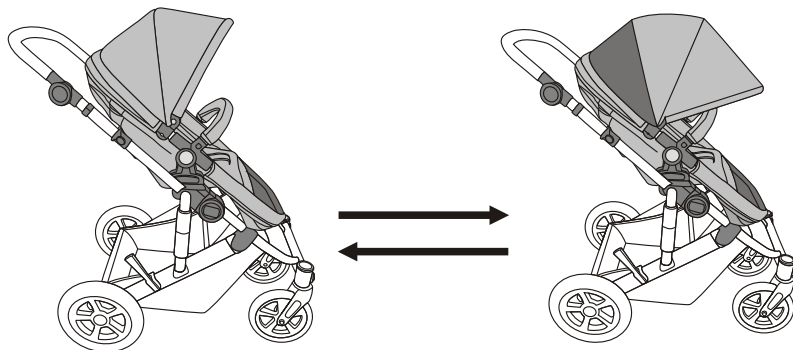
WARNING: INSTALL THE CANOPY BEFORE YOU USE THIS STROLLER.

Fix the brackets of the canopy to the metal construction, clip with the special screw.



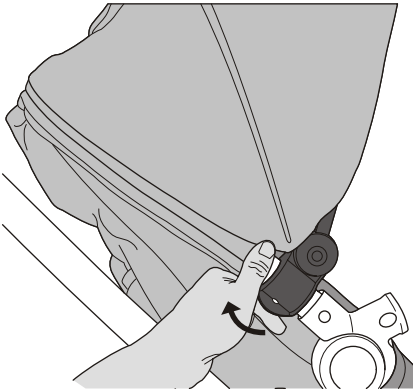
Adjustment of the canopy

To convert the second canopy and third canopy through the behind zipper.

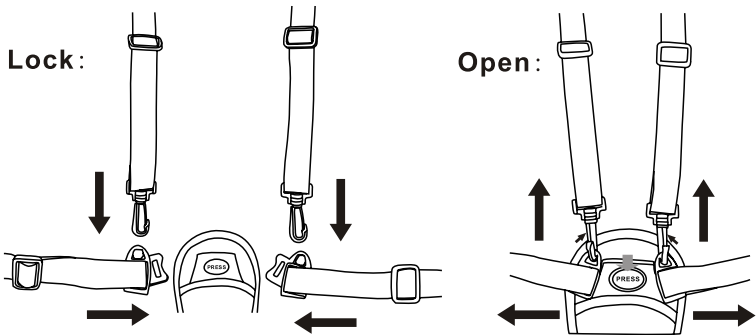


Canopy release

Pull the brackets of the canopy off the metal construction to realize the release.



To use the safety harness

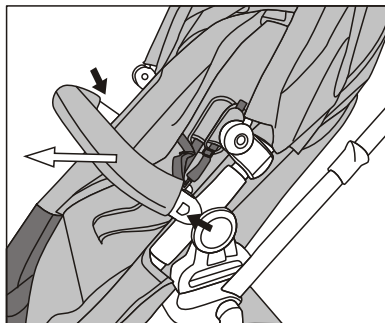
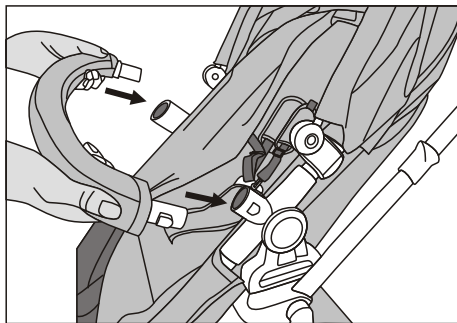


To use safety bar

WARNING: Install the safety bar before using.

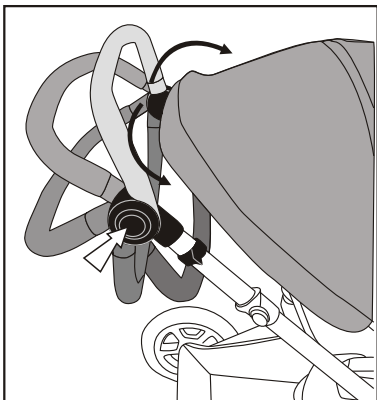
Installing the bar: Slide the bar tips into the relative opening till hearing click sound.

Releasing the safety bar: Push two buttons of each side of the bar while pulling it out.

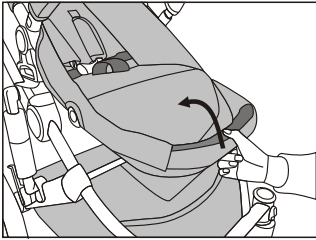


Adjust the handle:

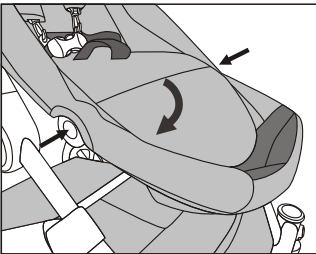
Pressing the adjustable handle button at the same time to operate different height of the handle(seven sections).



Leg rest adjustment:



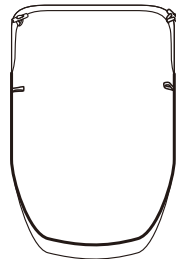
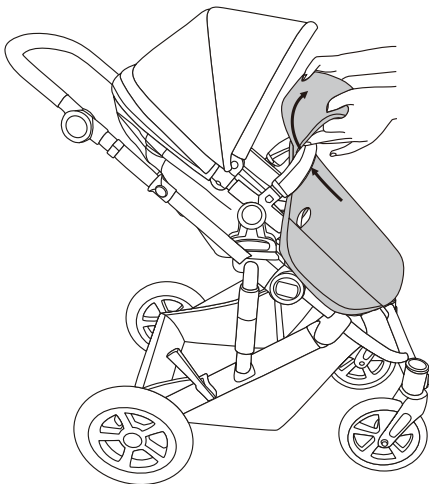
1. Adjust the leg rest by pushing it up.



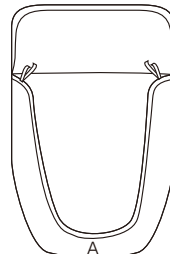
2. Pressing the adjustable button both sides at the same time to pushing it down.

To fit the foot cover:

Cover the part A of the footcover on the legrest of the seat, Make the upper bordering of the footcover by pass the front bumper, fix it with special fastener on both sides. Then, fix the both sides stick buckles to the front bumper.



Front



Back

Conversion between seat unit and carrycot

WARNING: Do not convert the seat unit with a child seated in it.

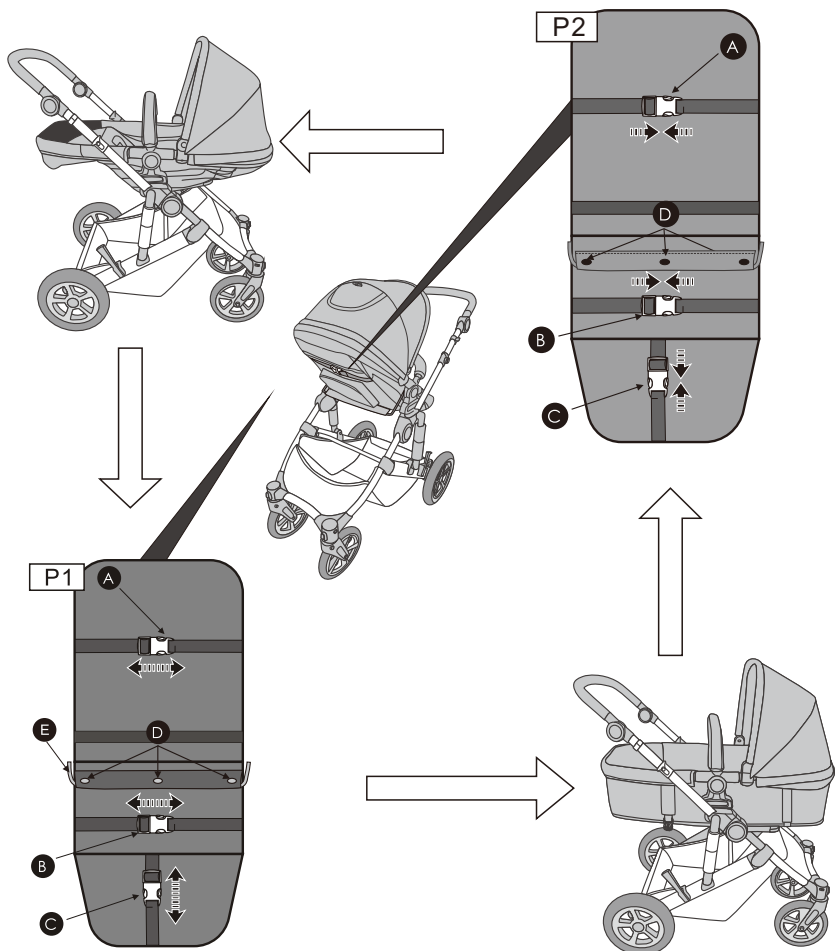
1. Change the seat unit into carrycot: Unlock the buckle A, B & C on the back of the seat unit. (show as P1)

2. Change the carrycot into seat unit: Lock the buckle A, B & C on the back of the seat unit. (show as P2)

Important: When convert the carry cot to seated mode, suggest to remove the seat unit from the chassis, if the buckles (B) underside the seat unit is not easier to fasten. Push the seat unit as per the picture showing, then fasten the buckles (B).

Note: 1) Make sure that the seat unit supporting lever (E) is correctly fixed via the buckles (D) no matter you use the stroller as a seat unit or a carrycot.

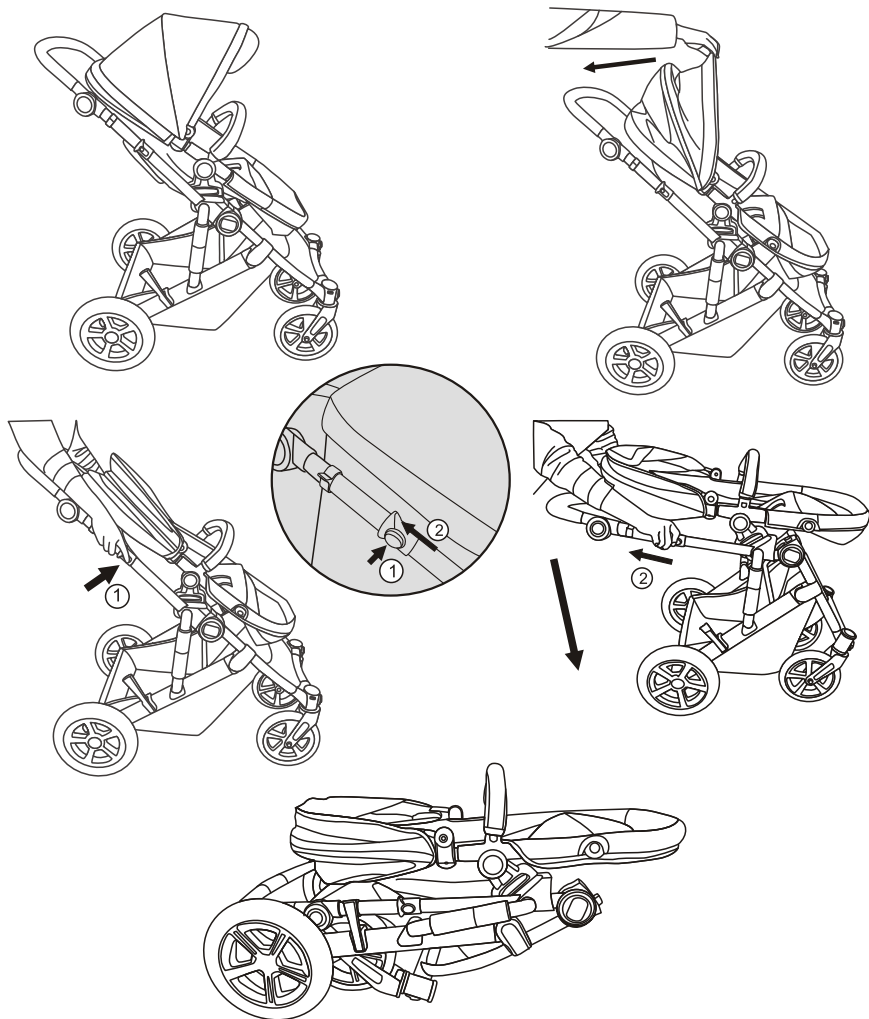
2) Make sure that it is in level condition when use it as a carrycot.



To fold the stroller:

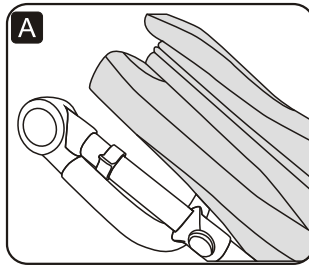
WARNING: To avoid injury ensure that your child is kept away when unfolding and folding this stroller.

1. The direction for the seat unit must be forward and adjust it into minimum angle when be folded.
2. Fold the canopy.
3. Press the button on the right handle, pull up the folding lever at the same time, fold it down until it is completely folded, attach the auto lock.



Collect and put stroller:

- 1) To minimize the volume of the folded stroller, make the adjustable handle into smallest section before folding. (show as A).



Care and maintenance:

1. Fabric: sponge clean only with a mixture of water and mild detergent.
Do not iron. Do not bleach.
2. Periodically check for loose and broken parts.
3. Exposing the stroller to direct sunlight for long periods may cause fading.
4. If the stroller becomes wet, dry the metal parts and store it at cool and ventilate.
5. Check if the air pressure of the wheels is normal or not before using
(the standards air pressure is 20 Psi or 137.9Kpa).

noolaElite

NoolaElite by Noola
www.noola.co.za
info@noola.co.za