

Inflatable Device Owner's Manual

www.TeddyBounce.com

Unit Code/Name			Customer Name	
Serial Number			Date of Purchase	
Unit Code/Name			Ship/Pickup Date	
Serial Number			Receipt Number	

Thank you for choosing **Teddy Bounce**

Thank you for purchasing a Teddy Bounce product. At Teddy Bounce, we continually strive to offer safe and affordable products.

Use of our products is strictly propitiated until you read, understand, and adhere to the contents of the product manual, as well as, all local, state, federal laws; including but not limited to, any newly enacted laws or those recommendations by the American Society of Testing Materials (hereinafter, formally known as ASTM), specifically as it pertains to inflatable device and operation.

This manual includes the following:

- 1. Contact Information**
- 2. Packing list**
- 3. Installation**
- 4. Operating Instruction**
- 5. Deflation and Packing Instructions**
- 6. Folding Process**
- 7. Cleaning and Maintenance**
- 8. Repairs**
- 9. In the Unlikely Event of Medical Emergency**
- 10. Pre-Operation Inspection Checklist**
- 11. Visual Determination of the Wind Speed**
- 12. Specification Sheet**

Contact Information

If you have any questions or concerns regarding this manual, or in any case you need contact us, please feel free to email us at: info@TeddyBounce.com, or call us at (830) 888-9000.

Phone	(830) 888-9000
email	info@TeddyBounce.com
Website	www.TeddyBounce.com

Packing list

You will receive the following components with purchase:

- **Inflatable unit**
- **User manual**
- **Blower(s) (Optional Accessory)**
- **Anchoring Stakes (Optional Accessory)**
- **Sandbag Covers/Water Bags (Optional Accessories)**
- **Safety Mat (Optional Accessory)**

WARNING

Follow and sign the "**Pre-Operation Inspection Checklist**" with each installation and setup of any Teddy Bounce product.

BEFORE INSTALLATION

- Check weather forecast for the day of the event
- Inspect the setup location
- Call utility companies and the property owner to mark the underground lines for the setup location
- Comply with all insurance, inspection, and safety operations, recommendations, and requirements as enacted and enforced by Parish, County, State, and Federal Agencies.

Installation

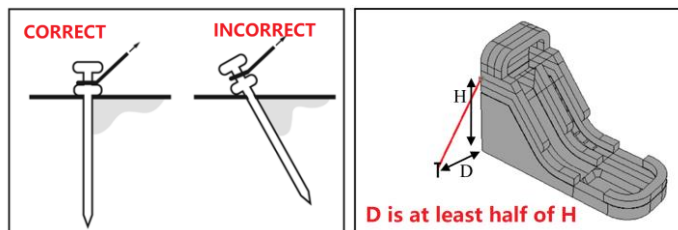
1. Inspect the location. Find a location that is safe for your inflatable device. Select an area which is at least 6' or 2/3 of the height of the unit (whichever is greater) larger than the inflatable device's base. Keep inflatable device away from water pool, fire, slope, phone line, cable line, electrical line, tree branches, roots, rocks, sand, artificial turf, or other objects that may be unsafe for inflatable device operation or may cause damage to your inflatable device.
2. In order to avoid damaging underground utility facility while driving stakes, contact utility companies and the property owner for any underground utility lines.
3. **Always use ground cover** to cut down on the wear and scuffs on the bottom of your inflatable. Place your ground cover in the middle over the site. Leave enough space in the front for easy access at any time.
4. Find the nearest electrical outlet. Use 3-Prong UL or CL approved electric outlet no less than 14-3 with Ground Fault Circuit Interrupter (GFCI) equipped. Check blower's user manual before plug the blower into the electric outlet.
5. Unload the inflatable device on the back part of your ground cover, with the air tube located to the rear of the location. Unfold the inflatable device on the ground cover.
6. If set on grass, use stakes to secure your inflatable device in place. If set on hard ground, use weight to secure the inflatable device. *Stake and ballast requirements noted in Specification Sheet.*
7. Properly stake the inflatable device or secure a weight to the inflatable device prior to inflating the product. Contact your local utilities office (i.e., gas, electrical, and water) for survey and approval prior to driving any stake-type device into the ground. Be sure the stake heads are away from the inflatable device to avoid damaging the inflatable while hammering. Check with your local government and your insurance company for any specific requirements on how to secure the inflatable device. Always cover the stake head to prevent tripping hazard. Operational automotive equipment or other transportation devices shall

not be used as anchorage for any inflatable devices. All the anchor points provided on the inflatable device must be anchored properly before any use of the device.

For optimum holding power, stakes should be inserted perpendicular to the plane of the ground at the point of insertion. See the illustration below.

For the tether anchors, the distance from stake to the edge of the inflatable device should be at least half of the height of the anchor point on the inflatable device.

See the illustration below.

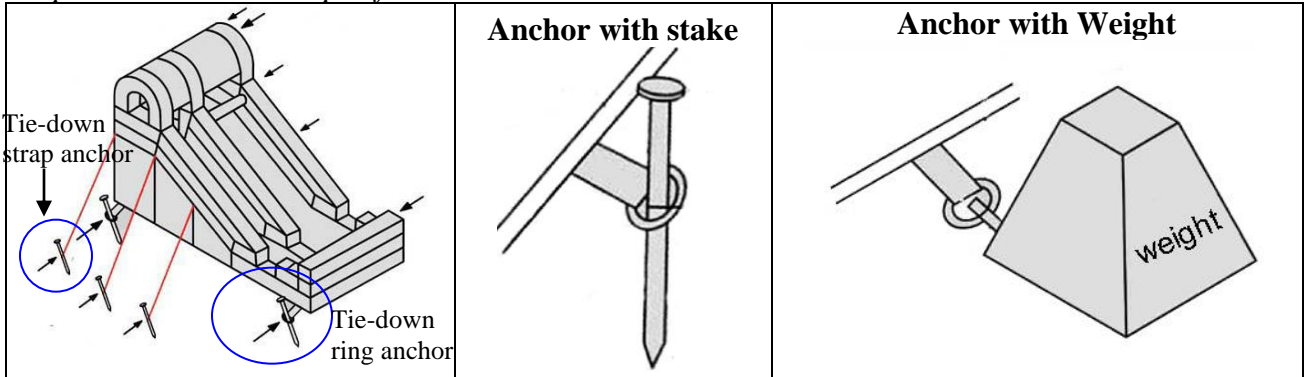


8. Locate the blower on a flat and dry surface in an area away from pathway. Connect the fan cone to the air tube, tie tight with the strap. Adjust the blower's position to let the air tube straighten. **If the inflatable unit has two tubes, use the one that is most convenient, and cost the least obstruction. Fold over the unused tube, secure it with the strap, and conceal the tube within the inflatable device.** Check and close all the air-releasing zippers and Velcro flaps before inflating the unit.
9. Put appropriate barriers to prevent crowds to move close to the blower. Plug the blower power cord into the GFCI (Ground Fault Protected Circuit) outlet. Check the GFCI to ensure operation.
10. Turn the blower on. Observe the inflation of the inflatable as it rises.
11. Check the air tubes to make certain there is no large air leakage. **Do not place fingers or hands into the fan intake or outlet when the fan is in operation. Do not allow any children or adults in the rear of the inflatable device or near the electric blower at any time.** Keep blower intake grates from debris and avoid kinks in blower shrouds and the inflatable air tube. Inflatable devices with play area higher than 8 ft (2.4 m) off the ground shall require a deflation alert system.
12. Check for any rips, holes, or damaged seams when the inflatable is fully inflated. The defects may cause the device unsecured or cause furthermore damage. Repair it before any use.
13. Put appropriate barriers to prevent crowds to move close to the inflatable other than the designated area such as entrance and exit, manage crowds and in accordance with local, state, or federal laws.
14. Impact mats are required per ASTM F2374-21 Section 5.12.7 and must meet ASTM F2374-21 Section 5.16.6 requirements.

Anchor requirement

The strength of various types of soil is an important factor on how large the holding force of an anchor(stake) can provide.

Loose soil is unacceptable for stakes. Use only ballast for soft soil. *Stake and ballast requirements noted in Specification Sheet.*



Note: Anchoring weights and stakes are intended to keep inflatable device from shifting during normal operation. They are not intended to anchor inflatable during high winds. DO NOT operate inflatable in winds above 15 mph. If winds exceed 15 mph during operation, evacuate and deflate immediately.

Method to test the soil condition:

- (1) Use either a 26 or 30 in. long stake 1 inch in diameter.
- (2) Vertically install the stake 20 in. into the ground.
- (3) Measure and record the distance between the ground and the top or head of the stake.
- (4) Using a 16 lb sledge hammer, strike the top of the stake once.
- (5) Re-measure and record the distance between the ground and the top of or head of the stake.
- (6) Subtract the second measurement from the first, and then compare the result to the Stake Penetration Resistance ranges in the table below to determine the approximate soil consistency.

TABLE - Stake Penetration Resistance Measurement versus Soil Consistency

Stake Penetration Resistance (Inches per blow)	Soil Consistency
Less than 0.2 in.	Hard
0.2 to 0.5 in.	Very Stiff
0.5 to 1.5 in.	Stiff
1.5 to 3 in.	Medium - DO NOT STAKE
Greater than 3 in.	Soft – DO NOT STAKE

IMPORTANT! If stake penetration is greater than 3 in. the soil conditions are unsuitable for anchoring using stakes.

Stake Penetration Resistance ranges are based on average penetration of the stake per blow with a 16 lb sledge hammer using approximately 170 lbf of force. Note that the field test is an approximate method of assessing soil consistency, due to variation in human performance.

Operating Instruction While in Use

Prior to operating and using this inflatable device, check with your local government for any specific rules related with inflatable Amusement safety. Below are safety rules from Teddy Bounce. These rules should be followed for rider's safety and the safety of the general public and property. The owner/operator is ultimately responsible for the injuries that happened on inflatable devices and / or any damage to property.

Each inflatable device operator should read and understand the following instructions.

1. Before the inflatable unit is securely anchored and fully inflated, do not allow anybody get inside or on the inflatable.
2. The inflatable should not be operated if wind exceeds 15 m.p.h, or in rain, snow or lightning conditions, or temperature of less than 40°F degree.
3. All cords and straps should be placed in such a manner that no one can trap on them. Also, no electrical cords should run through puddles or near a pool. Follow the blower's user manual regarding the use of the extension cord.
4. Do not allow any children or adults in the rear of the inflatable device or near the blower at any time
5. The operator should let the riders aware of the posted warning sign on the inflatable device.
6. All riders must remove their shoes, eyeglasses and any other hard or sharp objects in their body or clothing. No food, drink, gum, pet or silly strings and no hanging on the inflatable device.
7. **No head-down play on any inflatable devices.** Flips, pilling on, wrestling, bouncing against side, bouncing on steps, bouncing on slide, grabbing net, climb on walls or bouncing too close to each other must be prohibit.
8. For inflatable device with slide, the correct sliding method is seated with feet in front, and hold both arms in front of the chest. **Do Not Jump, Do Not Dive, Do Not Slide Head First.** One ride at a time. Wait for the front rider clear off the pathway before the next rider begin to slide.
9. For water slide/water combo with pool, fill up the pool with water before sliding. The water in the pool will help slow down the speed of the rider.
10. Be sure children are not holding the netting or leaning on the side walls. The netted windows can be a problem if children are permitted to hold the netting while jumping.
11. Divide the player in groups by similar age and height. *Refer to Specification Sheet for weight limits.*
12. Operator should check frequently to make sure the inflatable device is in good working condition, all zippers are zipped properly, all buckles on the fans and tie-downs are attached properly and in good condition while operating. Make sure no any cut or broken seams on the inflatable device while in use.
13. Operator should **observe the users of the inflatable device at all times.**









14. Divide children by ages and give each group their own time to bounce, jump or slide. Persons with mental or physical impairment should not be allowed to use any of the inflatable amusement devices
15. If the inflatable is deflated accidentally (i.e. power outage), have all children exit orderly through the door, or emergency roof/ceiling release, or alternate exit
16. Operators and attendants shall incorporate the use of whistles or other devices or signal equipment and take appropriate action at the first sign of misbehavior or violation of posted rules.

Deflation and Packing Instructions

1. Inspect both inside and outside for any damage
2. Clean and dry
3. Do not allow any children or adults inside or in the rear of the inflatable.
4. Turn the blower off, unplug the blower from power source
5. Untie the strap of the air tube from the blower. Lay the air tube flat to let the air out. Untie the other air tube if there is one. For slide, tear open the opening pre-sewed on the slide (at the back wall) to fasten the inflatable process.
6. Remove stakes and extension cords
7. You may walk with bare feet on the deflated inflatable unit from front towards the air tubes to let out more air.

Folding Process

1. Check to make sure the inflatable are clean and dry both inside and outside
2. Place the inflatable as flat as possible. Fold in outside walls, base of the inflatable, step, cartoon character towards the middle of the unit. Leaving the bottom edge of the inflatable as the edge.
3. Prior to rolling, make sure at least one of the air tubes is able to let more air out at your rolling process.
4. Fold one-fourth of the inflatable in and fold in one-fourth from the other side.
5. Fold one part over the other part. Step on the inflatable to let out more air. Begin rolling the inflatable from front end to back end. Be sure the roll is straight and tight at the very beginning of the rolling, and at all the rolling process.
6. Near the end of the inflatable, slow down to let out more air. When reach the end of the inflatable, roll back a little bit and fold in the remaining air tubes.
7. Use straps to tie tight around the roll
8. Wrap with wrapping bag or storage bag

	
<p>Step 1: Lay flat the Inflatable</p>	<p>Step 2: Fold in one-fourth</p>
	
<p>Step 3: Fold in one-fourth from the other side</p>	<p>Step 4: Fold one part over the other part</p>
	
<p>Step 5: Start roll from the front</p>	<p>Step 6: Roll all the way toward air tubes</p>
	
<p>Step 7: Fold in air tubes</p>	<p>Step: Tie tight with straps</p>

Cleaning and Maintenance

- Clear the inside and outside carefully after each operation. It is easier to clean the units in an inflated position.
- Never use chlorine-based cleanser or bleach to clean, as they may damage the thread or vinyl.
- Never use M.E.K. (Methyl Ethyl Ketone) to clean the inflatable, as this will damage the vinyl.
- Let it dry before rolling up. If water has been accumulated inside the inflatable mattress and other inaccessible areas, the unit should be inflated outdoors for as long as needed to let it dry thoroughly.
- For long time storage, clean carefully and let the inflatable dry thoroughly.
- Roll up the inflatable tight, store the inflatable on dry surface, use open boxes of moth balls around inflatable to prevent damage from mice and other animals.

Repairs

Use the repair kit provided with each unit. To repair holes and tears smaller than 12'', follow the "single patch method":

1. Cut an oval or round shape vinyl patch, let it be approximately 2'' larger than the hole.
2. Clean around the hole area
3. Apply glue on the patch and around the hole area
4. Let the glue dry for 3 minutes
5. Place the patch covering the damaged area under pressure (with your palm, or put under heavy objects) for 1 min. Let the glue dry for at least 15 minutes before rolling up or inflated.

To repair large hole or tears, do as the follow:

1. Put a patch inside the torn area, repair as described above in "single patch method"
2. After the inside or torn area is repaired, apply another patch to the outside surface, repair using "single patch method" as described above again.

In the Unlikely Event of Medical Emergency

1. Stop using the inflatable device immediately.
2. Dial 911 or call the appropriate emergency responders and follow their instructions.
3. Contact Teddy Bounce and provide Teddy Bounce with any and all accident and insurance reports, to include but not limited to, photographs of the accident scene and all equipment, witness statements. Also, if required, forward your accident and insurance report to any governmental agency.

Pre-Operation Inspection Checklist

The following checklist is to be performed upon each installation and set up of the inflatable ride and game manufactured by Teddy Bounce, and accessory equipment as labeled by the respective manufacturers. Failure to read, understand, and adhere to these rules could result in serious injury or death.

Check List	Inspection Areas	Comments/ Action Taken
	Inflatable Game(s)	
	Weather conditions are safe for operation of all games	
	Vinyl/patterns clean and free of stains	
	Seams and mesh are secure and in good condition	
	Tie down straps are strong with on breakage	
	Inflatable is staked in place, and will be anchored at all time	
	Inflatable is secured by sandbags, and will be anchored at all time	
	Entrance safety net is secure and in place	
	Entrance/Exits clear of obstructions and will remain clear	
	Warning signs are clear and visible	
	Internal air pressure is sufficient to give a firm footing	
	No debris or sharp objects are present	
	Passageways are clear of obstructions	
	Ropes and footholds are strong and intact	
	Slide area is controlled by overhanging cover	
	Inflatable is clear of any utility	
	If the game is multi pieces connected together, make sure all connections are tight and secured	
	Accessories (If Applicable)	
	Blower is clean, and firmly attached to the inflatable	
	Blower is working and plugged into a GFCI 110V outlet	
	If using a generator, user all manufacturer's guidelines for operation	
	Electrical cords are free from wear and do not pose any trip hazards to patrons or guests	
	Misters are firmly attached and working securely	
	Water source is clean and free of debris and odor	
	Exiting water will drain away from the inflatable unit	
	Boxing gloves are clean inside and out	
	Jousting poles are clean, strong, and secure	
	Fencing is secure and in place	

Pre-Operation Inspection Checklist














The following checklist is to be presented upon each installation and setup of each inflatable ride and game manufactured by Teddy Bounce, and accessory equipment as labeled by the respective manufacturers. Failure to read, understand, and follow these rules could result in serious injury or death.

Check List	Operator/Attendant Responsibilities	Comments/ Action Taken
	*Supervision by adult trained attendant is required at all time	
	The Operator/Attendant should point out and make all riders aware of the Rules posted on the game	
	The inflatable MUST BE securely anchored at all time	
	Entry into the inflatable device should be orderly and in a controlled manner	
	Riders should be of similar age range, height, and weight. Do not put older children or adults with younger children.	
	Persons with mental or physical impairment should not be allowed to use any of the inflatable devices.	
	NO: Riders under the age of 3 years old, or less than 42" tall	
	NO: Shoes, eyeglasses, jewelry, or other sharp objects	
	NO: Somersaults, diving, wrestling, rough play, or flips	
	NO: Food, drinks, gum, pets, or silly string	
	Do not jump onto or off of the ride	
	Use of whistles and signaling devices	
	Keep patrons away from the blower at all times	
	DO NOT USE: Immediately deflate the inflatable if wind conditions exceed 15 MPH or it rains.	
	For Riders with Climbs and Slides	
	Go down the slide feet first only, one rider per lane at a time	
	NO: climbing up the slide the wrong way	
	NO: jumping onto or on the slide area	
	Emergency Procedures	Comments/ Action Taken
	In the unlikely event of a severe Weather Alert, Power Failure, or a Medical Emergency:	
	Exit riders in an orderly fashion away from the game	
	Turn off the blower and unplug from the outlet	
	Keep riders and guests away from the inflatable	
	Dial 911 or Call the appropriate emergency responders	

Visual Determination of the Wind Speed

Use this table to determine the wind speed while the device is inflated. If the wind speed exceeds the maximum allowable wind speed, deflate the inflatable immediately.

Beaufort Scale

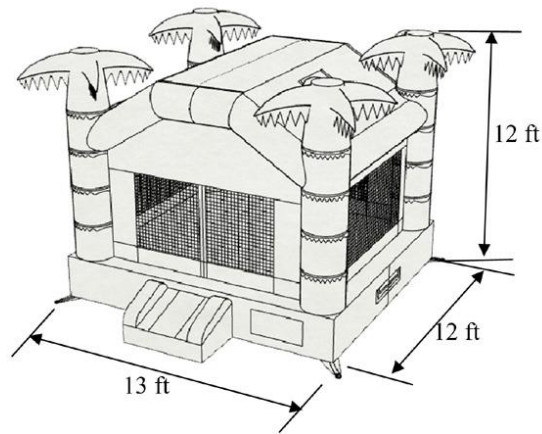
Beaufort number	Wind Speed (mph)	Seaman's term		Effects on Land
0	Under 1	Calm		Calm; smoke rises vertically.
1	1-3	Light Air		Smoke drift indicates wind direction; vanes do not move.
2	4-7	Light Breeze		Wind felt on face; leaves rustle; vanes begin to move.
3	8-12	Gentle Breeze		Leaves, small twigs in constant motion; light flags extended.
4	13-18	Moderate Breeze		Dust, leaves and loose paper raised up; small branches move.
5	19-24	Fresh Breeze		Small trees begin to sway.
6	25-31	Strong Breeze		Large branches of trees in motion; whistling heard in wires.
7	32-38	Moderate Gale		Whole trees in motion; resistance felt in walking against the wind.
8	39-46	Fresh Gale		Twigs and small branches broken off trees.
9	47-54	Strong Gale		Slight structural damage occurs; slate blown from roofs.
10	55-63	Whole Gale		Seldom experienced on land; trees broken; structural damage occurs.
11	64-72	Storm		Very rarely experienced on land; usually with widespread damage.
12	73 or higher	Hurricane Force		Violence and destruction.

Specification Sheet

Warning

- DO NOT OPERATE THIS UNIT WHILE RAINING OR WET CONDITIONS
- DO NOT OPERATE WHEN WIND EXCEEDS 15 MPH AND/OR TEMPERATURES LESS THAN 40°F
- THIS DEVICE IS TO BE USED ONLY UNDER THE SUPERVISION OF TRAINED ADULT OPERATOR(S)
- THIS IS A HEAVY DEVICE. WHEN LIFTING ANY TYPE OF HEAVY WEIGHT, BE SURE TO LIFT WITH YOUR LEGS AND NOT YOUR BACK. IF IN DOUBT ABOUT ABILITY TO MOVE SOMETHING, GET HELP

Unit Specification		Participants	
Model Number/ Name	TB-B-001	Min. Age	3-Years
Model Name	Palm Tree Bouncer	Min. Height	42 IN
Length	13 FT	Max. Height	5 FT
Width	12 FT	Max. Weight	120 LBS
Height	12 FT	Total Max. Weight	600 LBS
Weight	120 LBS	Max. No. of Participants	6
Blower	ONE 1.0HP		
CFM of blower	300	No. of Upper Anchors	/
No. of Operator(s)	1	No. of Lower Anchors	4

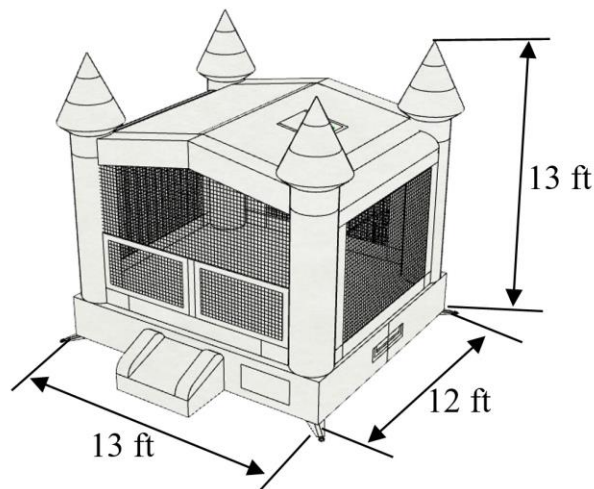


Specification Sheet

Warning

- DO NOT OPERATE THIS UNIT WHILE RAINING OR WET CONDITIONS
- DO NOT OPERATE WHEN WIND EXCEEDS 15 MPH AND/OR TEMPERATURES LESS THAN 40°F
- THIS DEVICE IS TO BE USED ONLY UNDER THE SUPERVISION OF TRAINED ADULT OPERATOR(S)
- THIS IS A HEAVY DEVICE. WHEN LIFTING ANY TYPE OF HEAVY WEIGHT, BE SURE TO LIFT WITH YOUR LEGS AND NOT YOUR BACK. IF IN DOUBT ABOUT ABILITY TO MOVE SOMETHING, GET HELP

Unit Specification		Participants	
Model Number	TB-B-002	Min. Age	3-Years
Model Name	Fiesta Bouncer	Min. Height	42 IN
Length	13 FT	Max. Height	5 FT
Width	12 FT	Max. Weight	120 LBS
Height	13 FT	Total Max. Weight	600 LBS
Weight	120 LBS	Max. No. of Participants	6
Blower	ONE 1.0HP		
CFM of blower	300	No. of Upper Anchors	/
No. of Operator(s)	1	No. of Lower Anchors	4

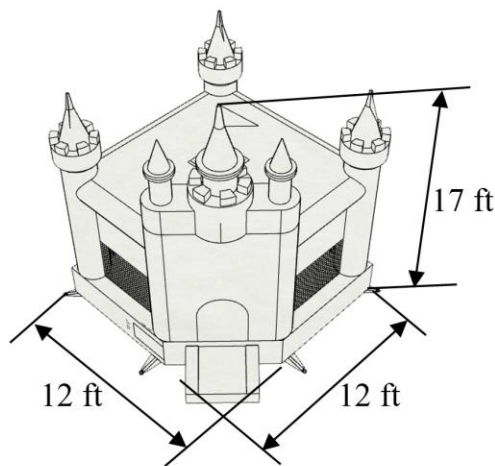


Specification Sheet

Warning

- DO NOT OPERATE THIS UNIT WHILE RAINING OR WET CONDITIONS
- DO NOT OPERATE WHEN WIND EXCEEDS 15 MPH AND/OR TEMPERATURES LESS THAN 40°F
- THIS DEVICE IS TO BE USED ONLY UNDER THE SUPERVISION OF TRAINED ADULT OPERATOR(S)
- THIS IS A HEAVY DEVICE. WHEN LIFTING ANY TYPE OF HEAVY WEIGHT, BE SURE TO LIFT WITH YOUR LEGS AND NOT YOUR BACK. IF IN DOUBT ABOUT ABILITY TO MOVE SOMETHING, GET HELP

Unit Specification		Participants	
Model Number	TB-B-003	Min. Age	3-Years
Model Name	Princess Bouncer	Min. Height	42 IN
Length	12 FT	Max. Height	5 FT
Width	12 FT	Max. Weight	120 LBS
Height	17 FT	Total Max. Weight	600 LBS
Weight	120 LBS	Max. No. of Participants	6
Blower	ONE 1.0HP		
CFM of blower	300	No. of Upper Anchors	/
No. of Operator(s)	1	No. of Lower Anchors	5

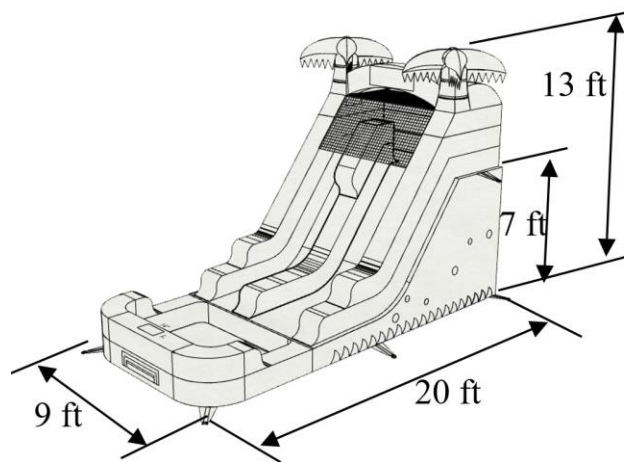


Specification Sheet

Warning

- DO NOT OPERATE THIS UNIT WHILE RAINING OR WET CONDITIONS
- DO NOT OPERATE WHEN WIND EXCEEDS 15 MPH AND/OR TEMPERATURES LESS THAN 40°F
- THIS DEVICE IS TO BE USED ONLY UNDER THE SUPERVISION OF TRAINED ADULT OPERATOR(S)
- THIS IS A HEAVY DEVICE. WHEN LIFTING ANY TYPE OF HEAVY WEIGHT, BE SURE TO LIFT WITH YOUR LEGS AND NOT YOUR BACK. IF IN DOUBT ABOUT ABILITY TO MOVE SOMETHING, GET HELP

Unit Specification		Participants	
Model Number	TB-S-001	Min. Age	3-Years
Model Name	13'H Palm Tree Water Slide	Min. Height	42 IN
Length	20 FT	Max. Height	5 FT
Width	9 FT	Max. Weight	120 LBS
Height	13 FT	Total Max. Weight	NA
Weight	135 LBS	Max. No. of Participants	1
Blower	ONE 1.0HP		
CFM of blower	300	No. of Upper Anchors	4
No. of Operator(s)	1	No. of Lower Anchors	6

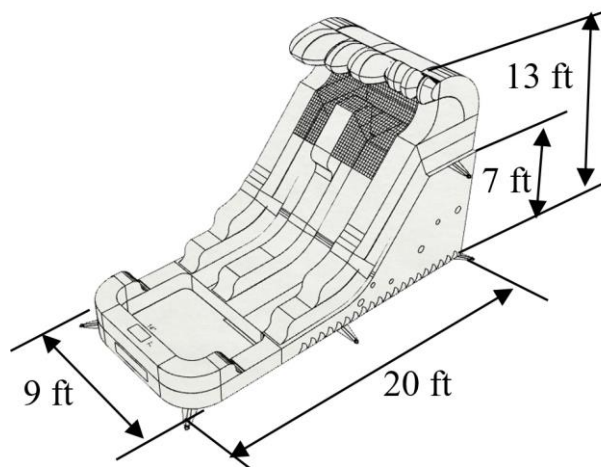


Specification Sheet

Warning

- DO NOT OPERATE THIS UNIT WHILE RAINING OR WET CONDITIONS
- DO NOT OPERATE WHEN WIND EXCEEDS 15 MPH AND/OR TEMPERATURES LESS THAN 40°F
- THIS DEVICE IS TO BE USED ONLY UNDER THE SUPERVISION OF TRAINED ADULT OPERATOR(S)
- THIS IS A HEAVY DEVICE. WHEN LIFTING ANY TYPE OF HEAVY WEIGHT, BE SURE TO LIFT WITH YOUR LEGS AND NOT YOUR BACK. IF IN DOUBT ABOUT ABILITY TO MOVE SOMETHING, GET HELP

Unit Specification		Participants	
Model Number	TB-S-002	Min. Age	3-Years
Model Name	13'H Ocean Water Slide	Min. Height	42 IN
Length	20 FT	Max. Height	5 FT
Width	9 FT	Max. Weight	120 LBS
Height	13 FT	Total Max. Weight	NA
Weight	135 LBS	Max. No. of Participants	1
Blower	ONE 1.0HP		
CFM of blower	300	No. of Upper Anchors	4
No. of Operator(s)	1	No. of Lower Anchors	6

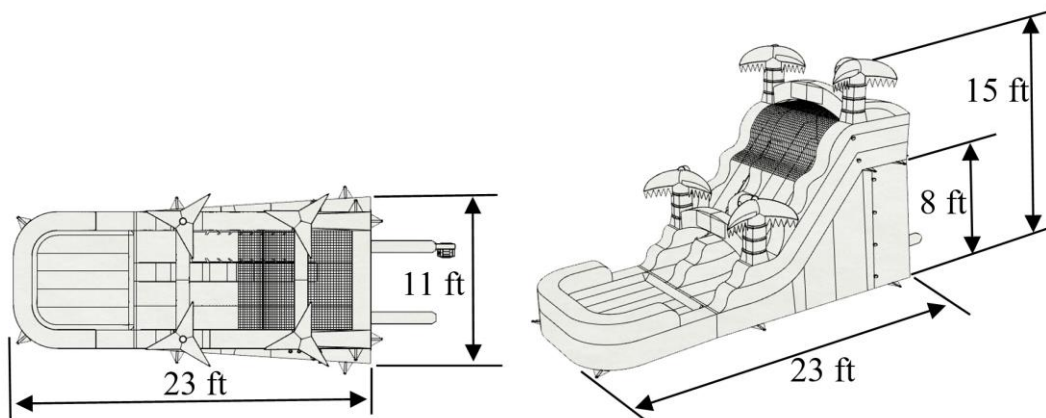


Specification Sheet

Warning

- DO NOT OPERATE THIS UNIT WHILE RAINING OR WET CONDITIONS
- DO NOT OPERATE WHEN WIND EXCEEDS 15 MPH AND/OR TEMPERATURES LESS THAN 40°F
- THIS DEVICE IS TO BE USED ONLY UNDER THE SUPERVISION OF TRAINED ADULT OPERATOR(S)
- THIS IS A HEAVY DEVICE. WHEN LIFTING ANY TYPE OF HEAVY WEIGHT, BE SURE TO LIFT WITH YOUR LEGS AND NOT YOUR BACK. IF IN DOUBT ABOUT ABILITY TO MOVE SOMETHING, GET HELP

Unit Specification		Participants	
Model Number	TB-S-010	Min. Age	3-Years
Model Name	15'H Blue Slide	Min. Height	42 IN
Length	23 FT	Max. Height	5 FT
Width	11 FT	Max. Weight	120 LBS
Height	15 FT	Total Max. Weight	NA
Weight	150 LBS	Max. No. of Participants	1
Blower	ONE 1.0HP		
CFM of blower	300	No. of Upper Anchors	4
No. of Operator(s)	1	No. of Lower Anchors	6

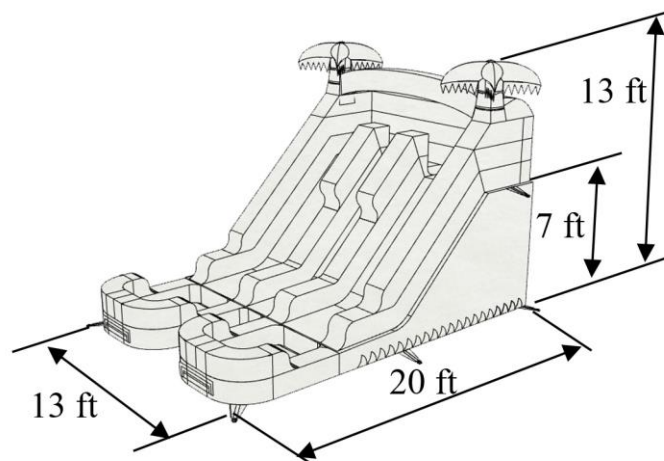


Specification Sheet

Warning

- DO NOT OPERATE THIS UNIT WHILE RAINING OR WET CONDITIONS
- DO NOT OPERATE WHEN WIND EXCEEDS 15 MPH AND/OR TEMPERATURES LESS THAN 40°F
- THIS DEVICE IS TO BE USED ONLY UNDER THE SUPERVISION OF TRAINED ADULT OPERATOR(S)
- THIS IS A HEAVY DEVICE. WHEN LIFTING ANY TYPE OF HEAVY WEIGHT, BE SURE TO LIFT WITH YOUR LEGS AND NOT YOUR BACK. IF IN DOUBT ABOUT ABILITY TO MOVE SOMETHING, GET HELP

Unit Specification		Participants	
Model Number	TB-S-101	Min. Age	3-Years
Model Name	13'H Dual Lane Purple Slide	Min. Height	42 IN
Length	20 FT	Max. Height	5 FT
Width	13 FT	Max. Weight	120 LBS
Height	13 FT	Total Max. Weight	NA
Weight	150 LBS	Max. No. of Participants	2
Blower	ONE 1.0HP		
CFM of blower	300	No. of Upper Anchors	4
No. of Operator(s)	1	No. of Lower Anchors	6

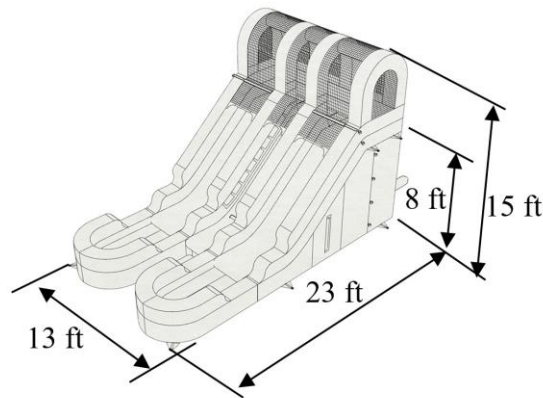


Specification Sheet

Warning

- DO NOT OPERATE THIS UNIT WHILE RAINING OR WET CONDITIONS
- DO NOT OPERATE WHEN WIND EXCEEDS 15 MPH AND/OR TEMPERATURES LESS THAN 40°F
- THIS DEVICE IS TO BE USED ONLY UNDER THE SUPERVISION OF TRAINED ADULT OPERATOR(S)
- THIS IS A HEAVY DEVICE. WHEN LIFTING ANY TYPE OF HEAVY WEIGHT, BE SURE TO LIFT WITH YOUR LEGS AND NOT YOUR BACK. IF IN DOUBT ABOUT ABILITY TO MOVE SOMETHING, GET HELP

Unit Specification		Participants	
Model Number	TB-S-102	Min. Age	3-Years
Model Name	15'H Red n Blue Slide	Min. Height	42 IN
Length	23 FT	Max. Height	5 FT
Width	13 FT	Max. Weight	120 LBS
Height	15 FT	Total Max. Weight	NA
Weight	180 LBS	Max. No. of Participants	2
Blower	ONE 1.0HP		
CFM of blower	300	No. of Upper Anchors	6
No. of Operator(s)	1	No. of Lower Anchors	8

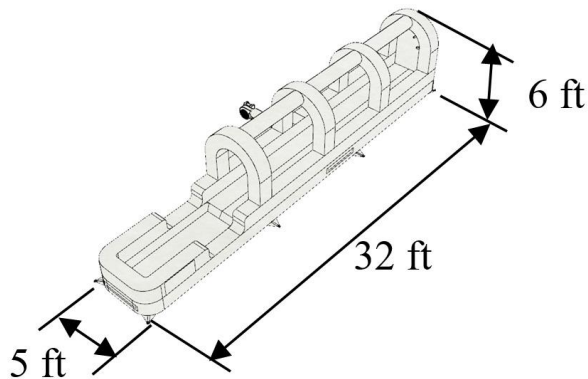


Specification Sheet

Warning

- DO NOT OPERATE THIS UNIT WHILE RAINING OR WET CONDITIONS
- DO NOT OPERATE WHEN WIND EXCEEDS 15 MPH AND/OR TEMPERATURES LESS THAN 40°F
- THIS DEVICE IS TO BE USED ONLY UNDER THE SUPERVISION OF TRAINED ADULT OPERATOR(S)
- THIS IS A HEAVY DEVICE. WHEN LIFTING ANY TYPE OF HEAVY WEIGHT, BE SURE TO LIFT WITH YOUR LEGS AND NOT YOUR BACK. IF IN DOUBT ABOUT ABILITY TO MOVE SOMETHING, GET HELP

Unit Specification		Participants	
Model Number	TB-S-201	Min. Age	3-Years
Model Name	Single Lane Slip n Splash	Min. Height	42 IN
Length	32 FT	Max. Height	5 FT
Width	5 FT	Max. Weight	120 LBS
Height	6 FT	Total Max. Weight	NA
Weight	100 LBS	Max. No. of Participants	1
Blower	ONE 1.0HP		
CFM of blower	300	No. of Upper Anchors	/
No. of Operator(s)	1	No. of Lower Anchors	8

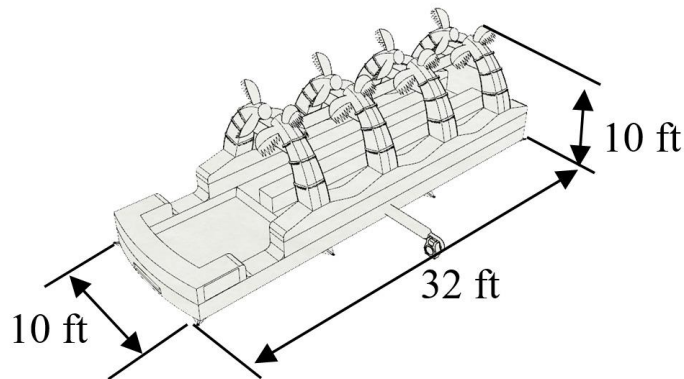


Specification Sheet

Warning

- **DO NOT OPERATE THIS UNIT WHILE RAINING OR WET CONDITIONS**
- **DO NOT OPERATE WHEN WIND EXCEEDS 15 MPH AND/OR TEMPERATURES LESS THAN 40°F**
- **THIS DEVICE IS TO BE USED ONLY UNDER THE SUPERVISION OF TRAINED ADULT OPERATOR(S)**
- **THIS IS A HEAVY DEVICE. WHEN LIFTING ANY TYPE OF HEAVY WEIGHT, BE SURE TO LIFT WITH YOUR LEGS AND NOT YOUR BACK. IF IN DOUBT ABOUT ABILITY TO MOVE SOMETHING, GET HELP**

Unit Specification		Participants	
Model Number	TB-S-211	Min. Age	3-Years
Model Name	Dual Lane Palm Tree Slip n Splash	Min. Height	42 IN
Length	32 FT	Max. Height	5 FT
Width	10 FT	Max. Weight	120 LBS
Height	10 FT	Total Max. Weight	NA
Weight	135 LBS	Max. No. of Participants	2
Blower	ONE 1.0HP		
CFM of blower	300	No. of Upper Anchors	
No. of Operator(s)	1	No. of Lower Anchors	8

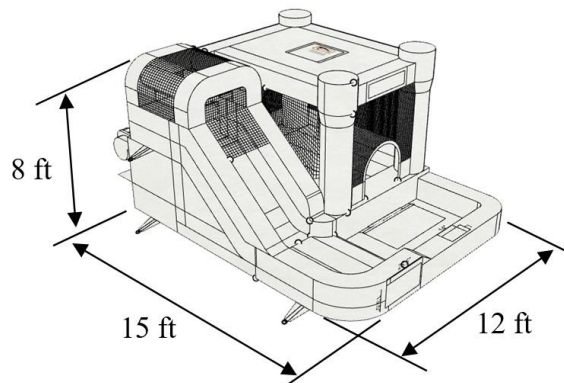


Specification Sheet

Warning

- DO NOT OPERATE THIS UNIT WHILE RAINING OR WET CONDITIONS
- DO NOT OPERATE WHEN WIND EXCEEDS 15 MPH AND/OR TEMPERATURES LESS THAN 40°F
- THIS DEVICE IS TO BE USED ONLY UNDER THE SUPERVISION OF TRAINED ADULT OPERATOR(S)
- THIS IS A HEAVY DEVICE. WHEN LIFTING ANY TYPE OF HEAVY WEIGHT, BE SURE TO LIFT WITH YOUR LEGS AND NOT YOUR BACK. IF IN DOUBT ABOUT ABILITY TO MOVE SOMETHING, GET HELP

Unit Specification		Participants	
Model Number	TB-C-001	Min. Age	3-Years
Model Name	Red n Blue Combo	Min. Height	42 IN
Length	12 FT	Max. Height	5 FT
Width	15 FT	Max. Weight	120 LBS
Height	8 FT	Total Max. Weight	600 LBS
Weight	135 LBS	Max. No. of Participants	6
Blower	ONE 1.0HP		
CFM of blower	300	No. of Upper Anchors	2
No. of Operator(s)	1	No. of Lower Anchors	6

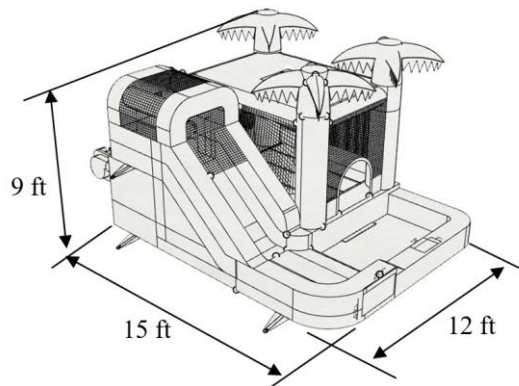


Specification Sheet

Warning

- DO NOT OPERATE THIS UNIT WHILE RAINING OR WET CONDITIONS
- DO NOT OPERATE WHEN WIND EXCEEDS 15 MPH AND/OR TEMPERATURES LESS THAN 40°F
- THIS DEVICE IS TO BE USED ONLY UNDER THE SUPERVISION OF TRAINED ADULT OPERATOR(S)
- THIS IS A HEAVY DEVICE. WHEN LIFTING ANY TYPE OF HEAVY WEIGHT, BE SURE TO LIFT WITH YOUR LEGS AND NOT YOUR BACK. IF IN DOUBT ABOUT ABILITY TO MOVE SOMETHING, GET HELP

Unit Specification		Participants	
Model Number	TB-C-002	Min. Age	3-Years
Model Name	Palm Tree Combo	Min. Height	42 IN
Length	12 FT	Max. Height	5 FT
Width	15 FT	Max. Weight	120 LBS
Height	13 FT	Total Max. Weight	600 LBS
Weight	135 LBS	Max. No. of Participants	6
Blower	ONE 1.0HP		
CFM of blower	300	No. of Upper Anchors	2
No. of Operator(s)	1	No. of Lower Anchors	6

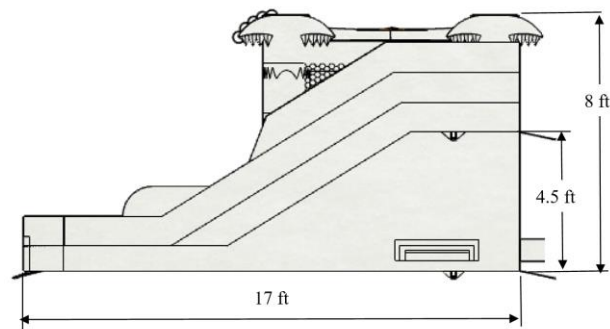
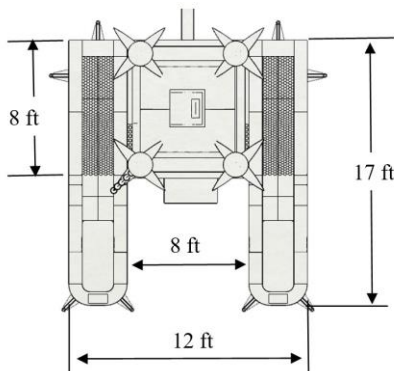


Specification Sheet

Warning

- DO NOT OPERATE THIS UNIT WHILE RAINING OR WET CONDITIONS
- DO NOT OPERATE WHEN WIND EXCEEDS 15 MPH AND/OR TEMPERATURES LESS THAN 40°F
- THIS DEVICE IS TO BE USED ONLY UNDER THE SUPERVISION OF TRAINED ADULT OPERATOR(S)
- THIS IS A HEAVY DEVICE. WHEN LIFTING ANY TYPE OF HEAVY WEIGHT, BE SURE TO LIFT WITH YOUR LEGS AND NOT YOUR BACK. IF IN DOUBT ABOUT ABILITY TO MOVE SOMETHING, GET HELP

Unit Specification		Participants	
Model Number	TB-C-010	Min. Age	3-Years
Model Name	Dual Lane Palm Tree Combo	Min. Height	42 IN
Length	17 FT	Max. Height	5 FT
Width	12 FT	Max. Weight	120 LBS
Height	8 FT	Total Max. Weight	600 LBS
Weight	150 LBS	Max. No. of Participants	6
Blower	ONE 1.0HP		
CFM of blower	300	No. of Upper Anchors	4
No. of Operator(s)	1	No. of Lower Anchors	8

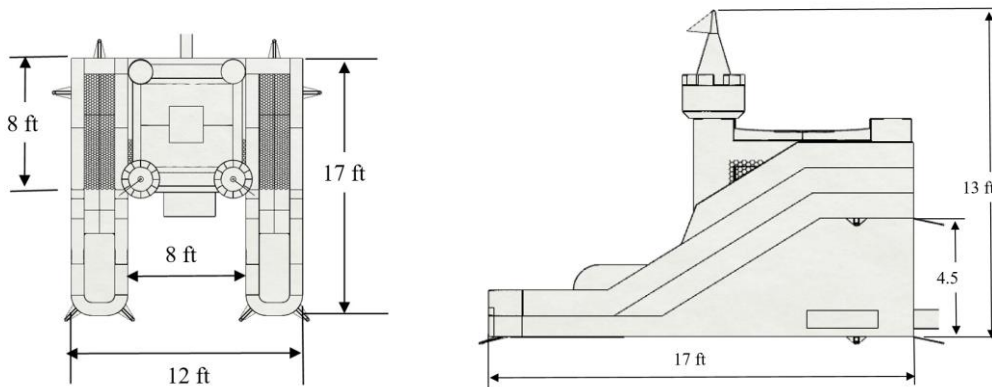


Specification Sheet

Warning

- DO NOT OPERATE THIS UNIT WHILE RAINING OR WET CONDITIONS
- DO NOT OPERATE WHEN WIND EXCEEDS 15 MPH AND/OR TEMPERATURES LESS THAN 40°F
- THIS DEVICE IS TO BE USED ONLY UNDER THE SUPERVISION OF TRAINED ADULT OPERATOR(S)
- THIS IS A HEAVY DEVICE. WHEN LIFTING ANY TYPE OF HEAVY WEIGHT, BE SURE TO LIFT WITH YOUR LEGS AND NOT YOUR BACK. IF IN DOUBT ABOUT ABILITY TO MOVE SOMETHING, GET HELP

Unit Specification		Participants	
Model Number	TB-C-011	Min. Age	3-Years
Model Name	Dual Lane Pink Castle Combo	Min. Height	42 IN
Length	17 FT	Max. Height	5 FT
Width	12 FT	Max. Weight	120 LBS
Height	13 FT	Total Max. Weight	600 LBS
Weight	150 LBS	Max. No. of Participants	6
Blower	ONE 1.0HP		
CFM of blower	300	No. of Upper Anchors	4
No. of Operator(s)	1	No. of Lower Anchors	8

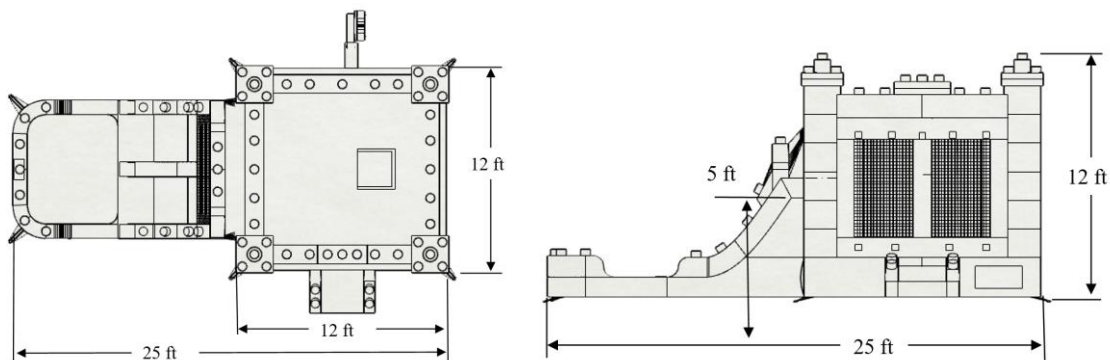


Specification Sheet

Warning

- DO NOT OPERATE THIS UNIT WHILE RAINING OR WET CONDITIONS
- DO NOT OPERATE WHEN WIND EXCEEDS 15 MPH AND/OR TEMPERATURES LESS THAN 40°F
- THIS DEVICE IS TO BE USED ONLY UNDER THE SUPERVISION OF TRAINED ADULT OPERATOR(S)
- THIS IS A HEAVY DEVICE. WHEN LIFTING ANY TYPE OF HEAVY WEIGHT, BE SURE TO LIFT WITH YOUR LEGS AND NOT YOUR BACK. IF IN DOUBT ABOUT ABILITY TO MOVE SOMETHING, GET HELP

Unit Specification		Participants	
Model Number	TB-C-021	Min. Age	3-Years
Model Name	Block Combo	Min. Height	42 IN
Length	25 FT	Max. Height	5 FT
Width	12 FT	Max. Weight	120 LBS
Height	12 FT	Total Max. Weight	600 LBS
Weight	150 LBS	Max. No. of Participants	6
Blower	ONE 1.0HP		
CFM of blower	300	No. of Upper Anchors	
No. of Operator(s)	1	No. of Lower Anchors	6



Specification Sheet

Warning

- DO NOT OPERATE THIS UNIT WHILE RAINING OR WET CONDITIONS
- DO NOT OPERATE WHEN WIND EXCEEDS 15 MPH AND/OR TEMPERATURES LESS THAN 40°F
- THIS DEVICE IS TO BE USED ONLY UNDER THE SUPERVISION OF TRAINED ADULT OPERATOR(S)
- THIS IS A HEAVY DEVICE. WHEN LIFTING ANY TYPE OF HEAVY WEIGHT, BE SURE TO LIFT WITH YOUR LEGS AND NOT YOUR BACK. IF IN DOUBT ABOUT ABILITY TO MOVE SOMETHING, GET HELP

Unit Specification		Participants	
Model Number	TB-S-001	Min. Age	3-Years
Model Name	13'H Palm Tree Slide	Min. Height	42 IN
Length	19 FT 6 IN	Max. Height	5 FT
Width	9 FT	Max. Weight	120 LBS
Height	13 FT	Total Max. Weight	NA
Weight	135 LBS	Max. No. of Participants	6
Blower	ONE 1.0HP		
CFM of blower	300	No. of Upper Anchors	4
No. of Operator(s)	1	No. of Lower Anchors	6

