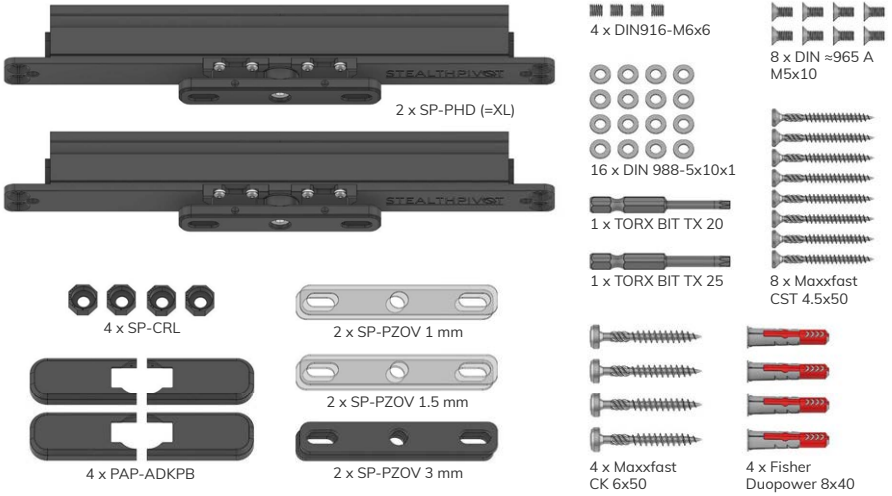
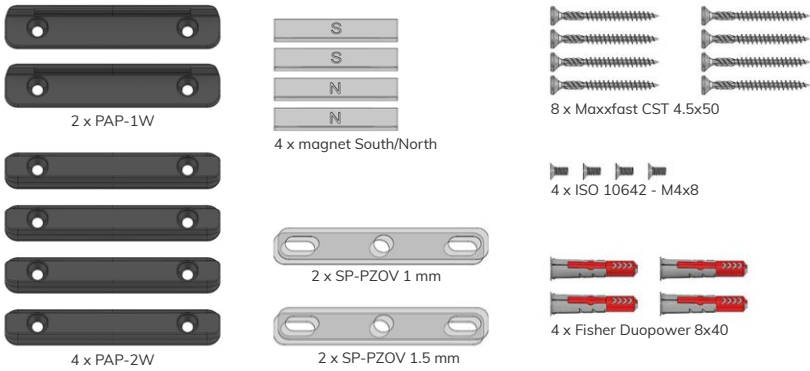


STEALTHPIVOT XL - QUICKSTART GUIDE

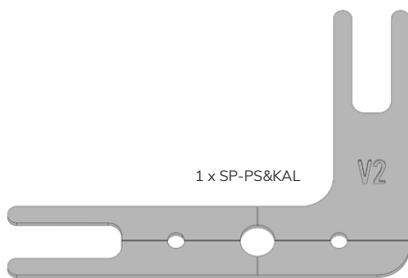
STEALTHPIVOT XL SET



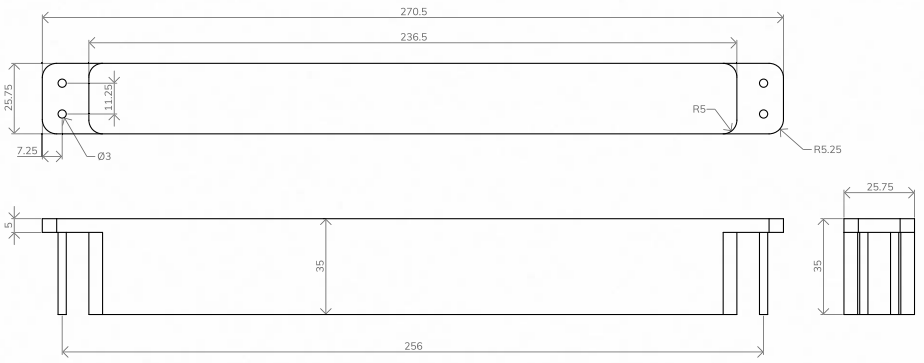
OPTIONAL STEALTHPIVOT XL ACCESSORY SET



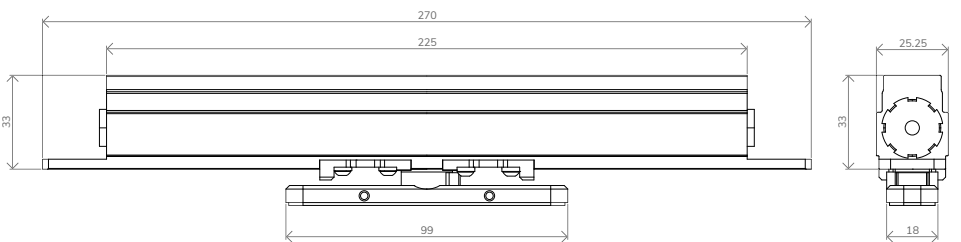
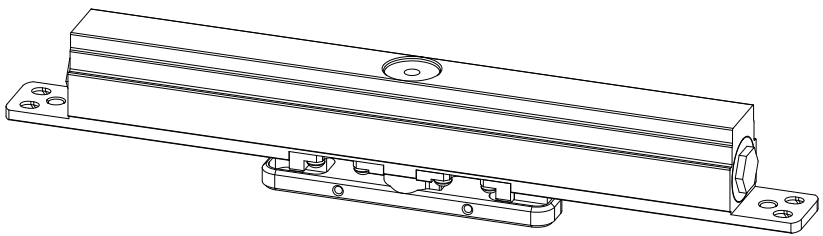
OPTIONAL STEALTHPIVOT INSTALLATION TOOL



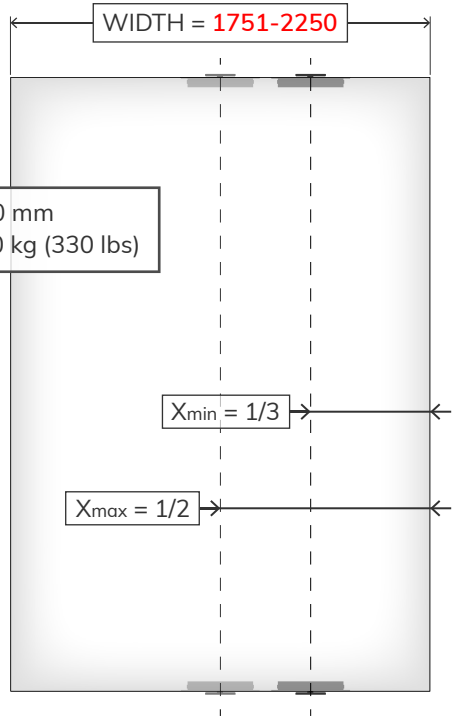
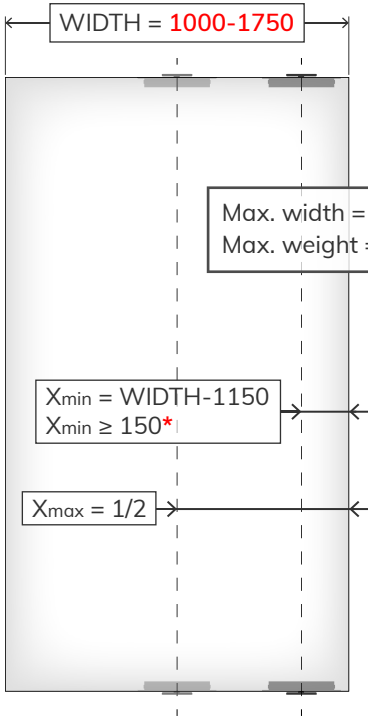
STEALTHPIVOT XL CAVITY DIMENSIONS (mm)



STEALTHPIVOT XL DIMENSIONS (mm)



AXIS POSITIONS (X)



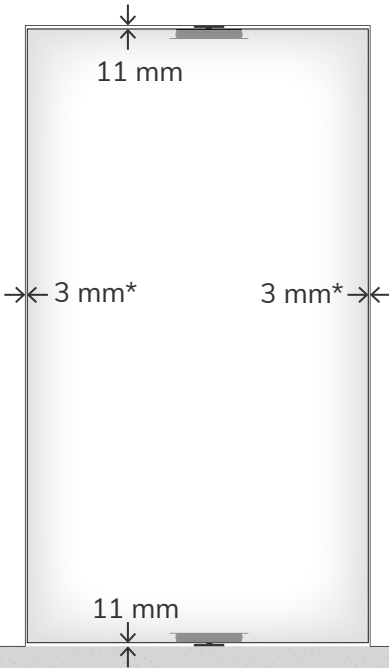
EXAMPLES

Door WIDTH ▶	1100	1200	1350	1500
$X_{min} = W - 1150$ ▶	-50	50	200	350
$X_{min} \geq 150$ ▶	no	no	yes	yes
* X_{min} result ▶	150	150	200	350

EXAMPLES

Door WIDTH ▶	1751	1800	2100
$X_{min} = 1/3$ ▶	584	600	700

ADVISED JOINT DIMENSIONS

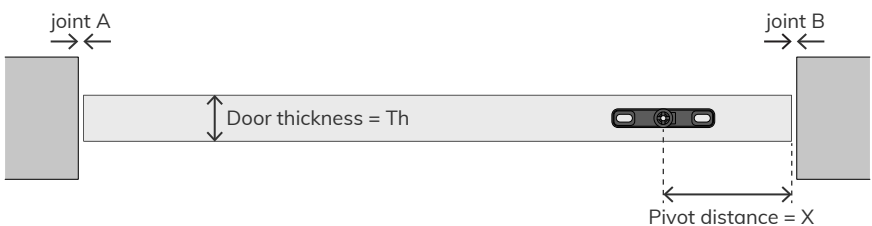


Top & bottom joints: min. 11 mm

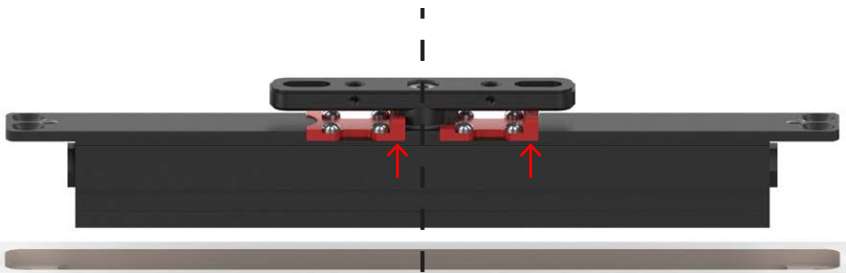
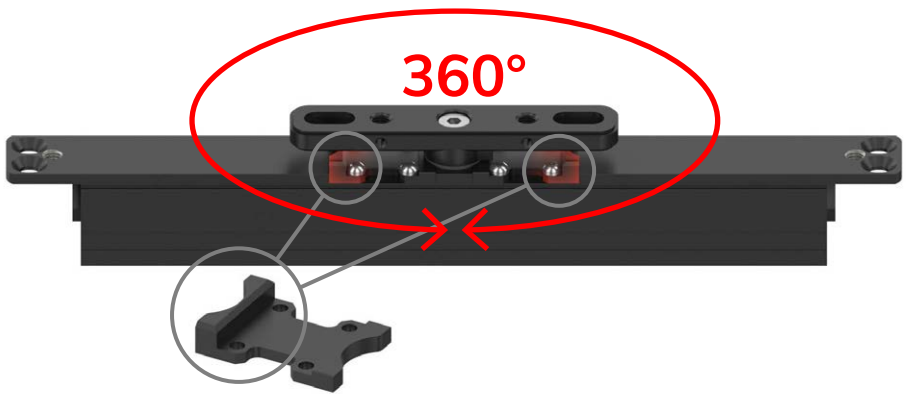
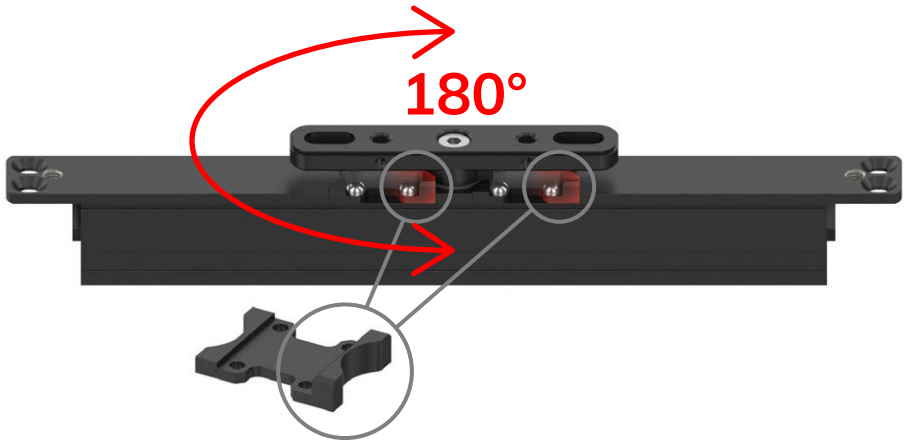
*Left & right joints:

The minimum joint depends on the door thickness and pivot distance. For visual coherence, we advise to use equal joints left and right. See visual and table below for advised left and right joint dimensions.

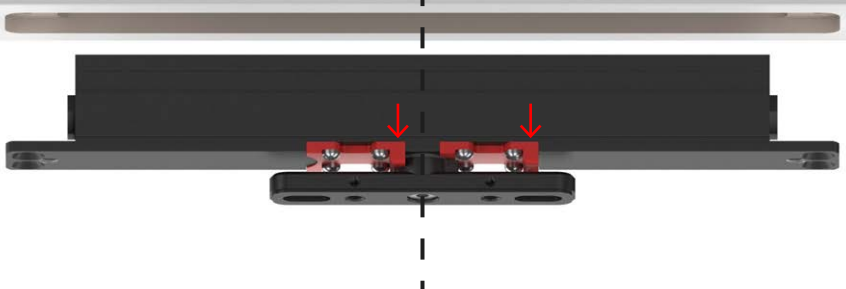
X ▼	joint A & B			
1000	2	2	2	3
500	2	2	3	3
250	3	3	3	4
85	3	4	5	7
Th ▶	30	40	50	60



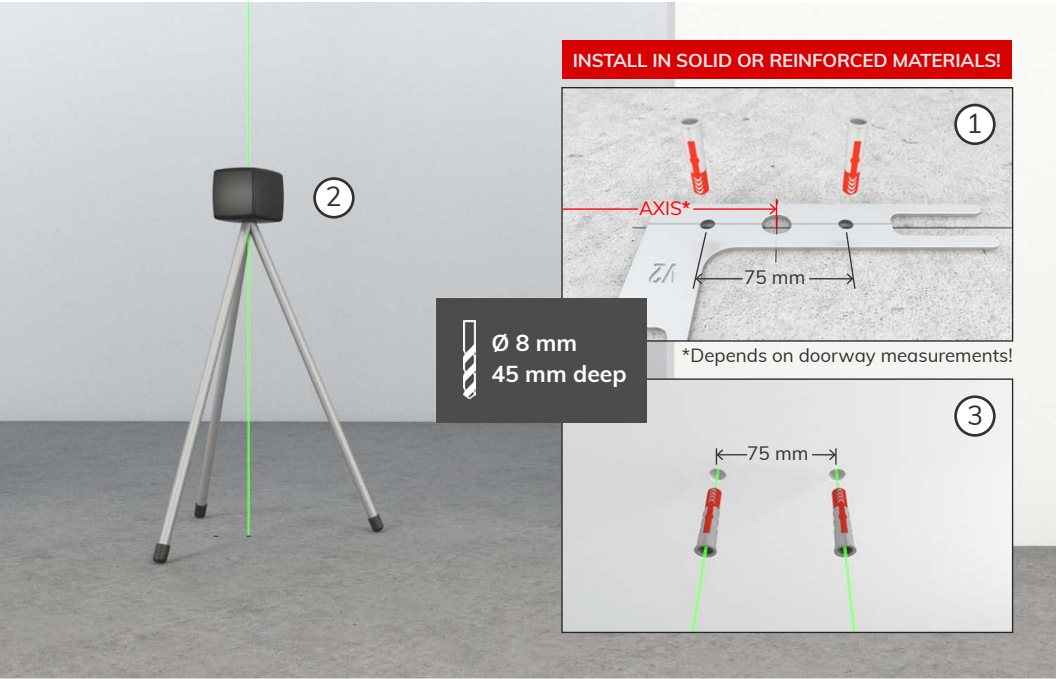
S90 - 90° STOP ACCESSORY



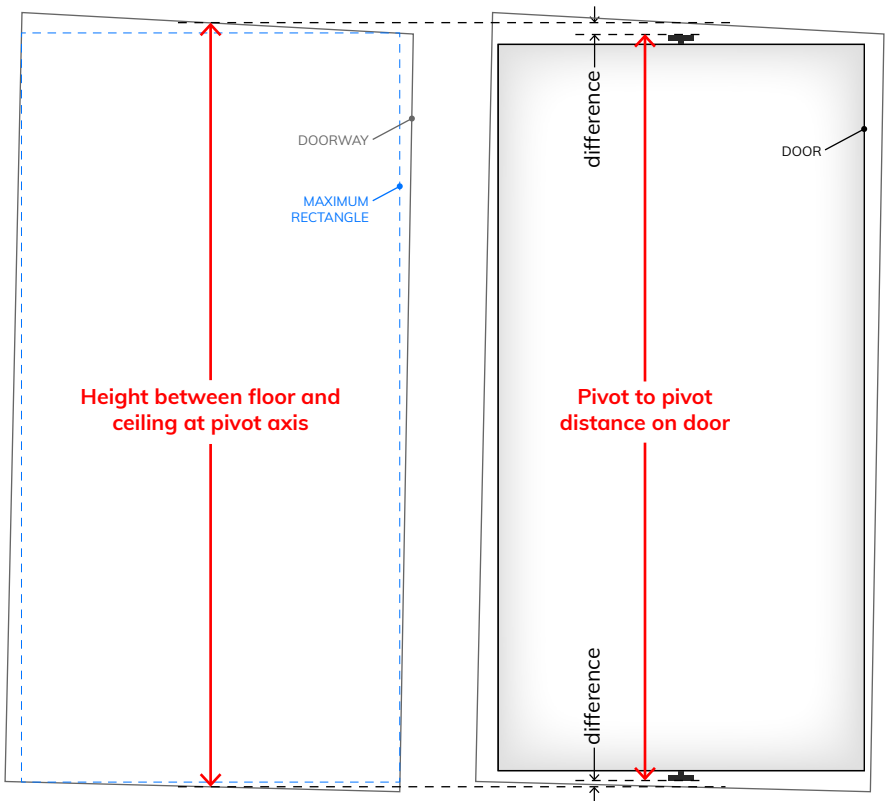
S90 should always be oriented the same for top and bottom hinge!



DRILL PIVOT MOUNT HOLES



SYNCHRONIZE PIVOT AXIS HEIGHT IN DOORWAY



Compare the measured doorway height at the pivot axis with the pivot to pivot distance of the door. Synchronize them if necessary by using one of the hinge height adjustment options on the next page.

HINGE HEIGHT ADJUSTMENT OPTIONS



- ① Shims between hinge and door
For TOP or BOTTOM joint adjustment
= preferred method for bottom hinge



- ② Shims between hinge and floor
For TOP or BOTTOM joint adjustment
= faster but less stable method

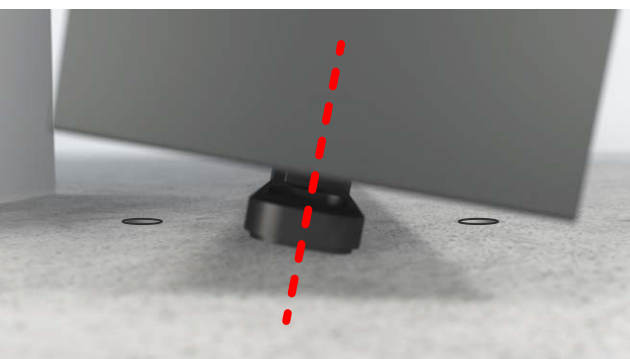


- ③ Inbus screws
Only for TOP joint adjustment and non compressible door structures!

INSTALL ASSEMBLED DOOR



- ① Put both pivots in their 'closed' position.



- ② Place the assembled door in the doorway, with the pivot axis in between the 2 pivot mounting holes.



- ③ Tilt the door upright and keep it in place.

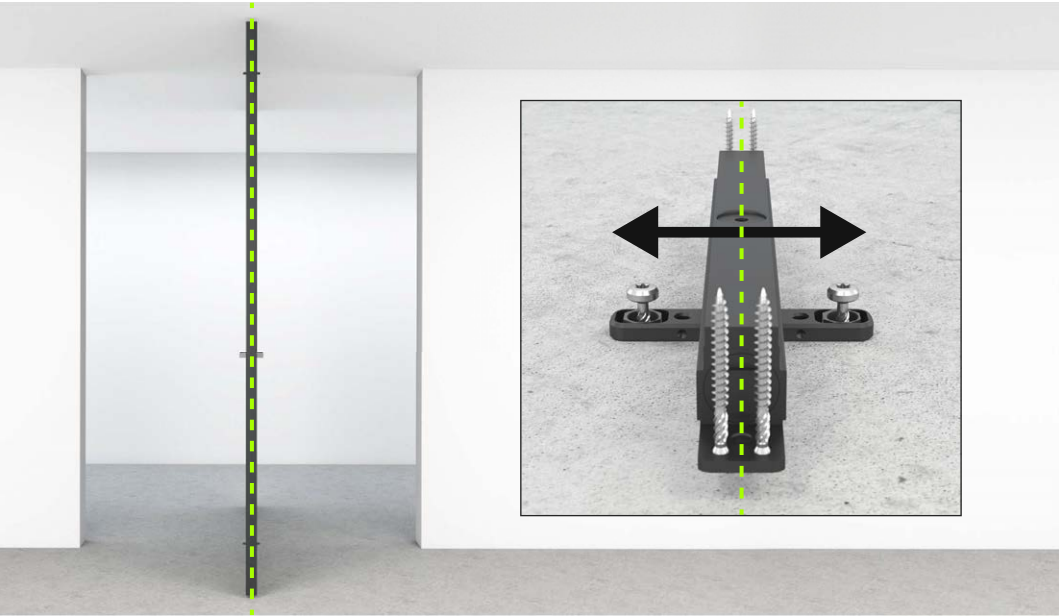


- ④ Use the drill tool to rotate the pivot mount in place.
Repeat for the bottom pivot mount.

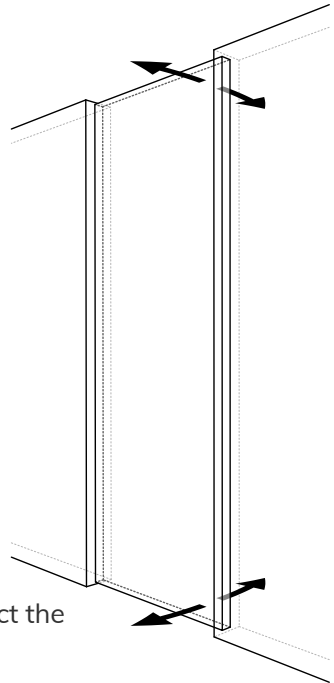


- ⑤ Install the octagonal inserts at 'position 1' in the top mount, then insert screws but do not fully tighten yet. Repeat for the bottom mount.

ADJUST PIVOT AXIS POSITION

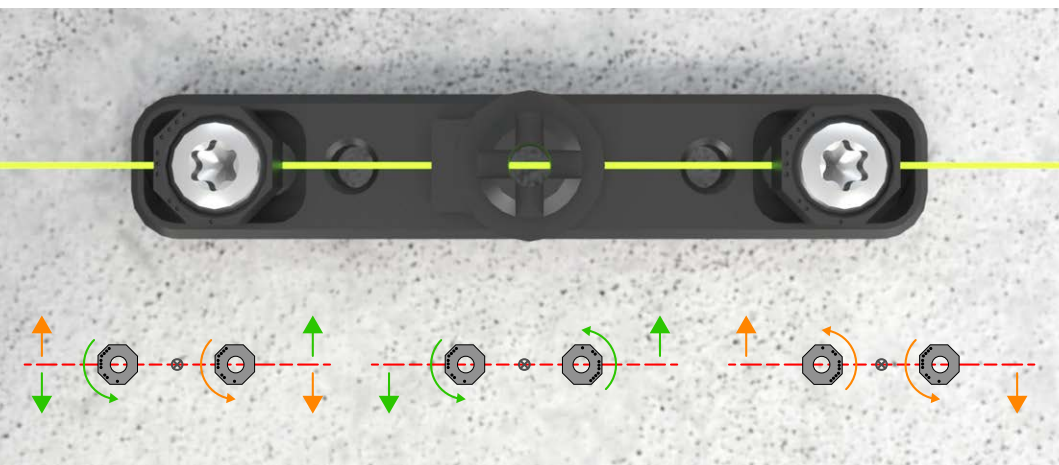


0° POSITIONING ADJUSTMENTS

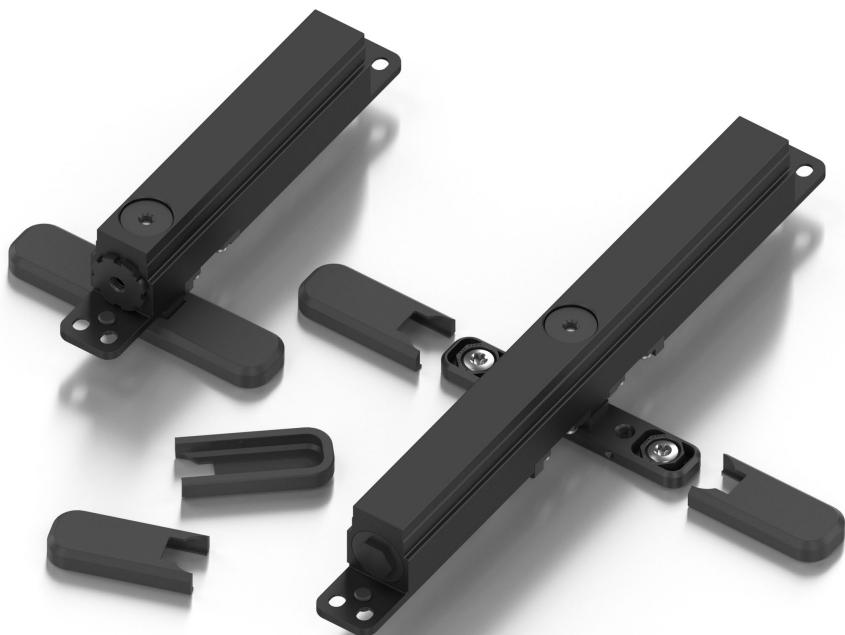


The inserts are excentric, so each position will affect the centerline angle of the door leaf.

The view below shows the effect on the centerline angle when rotating the inserts to different positions.



MINIMIZE VISIBLE COMPONENTS



Slide the 3D printed covers over the base of the hinge to cover up the screws and hexagonal inserts.

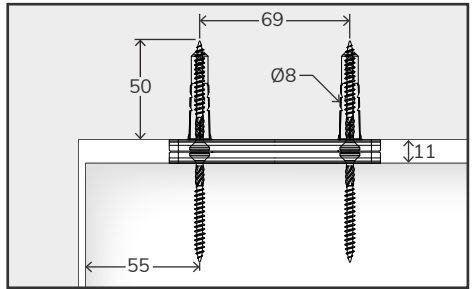
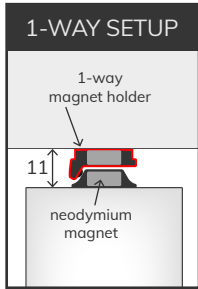
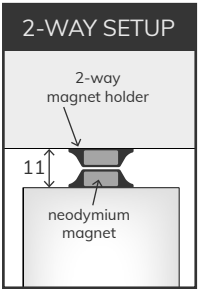
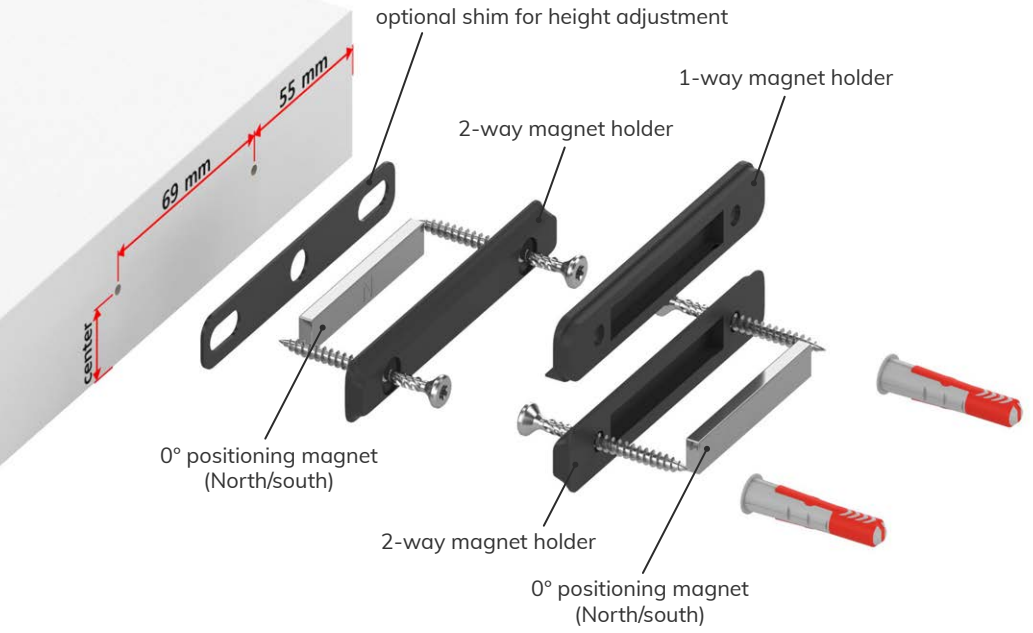
INTERCHANGEABLE GAS DAMPERS



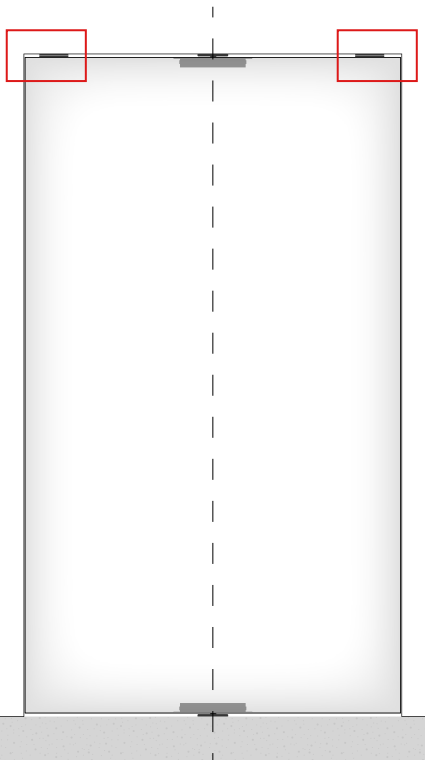
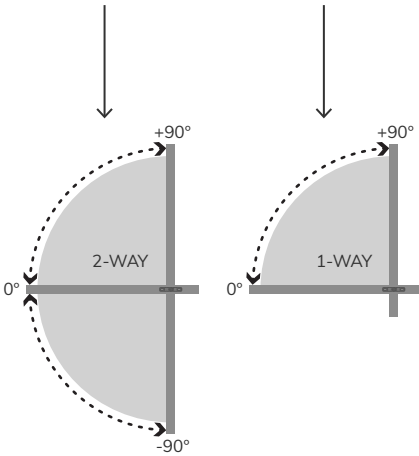
Stealthpivot NL and XL are equipped with 480N gas dampers which can easily be replaced.

Optional 750N dampers are also available.

OPTIONAL 0° POSITIONING ACCESSORIES



- Maxxfast CST 4.5x50
- Fischer duopower 8x40
- Ø8 mm





Find more pictures, information and in-depth manuals

@

WWW.PORTAPIVOT.COM

