



STEALTHPIVOT

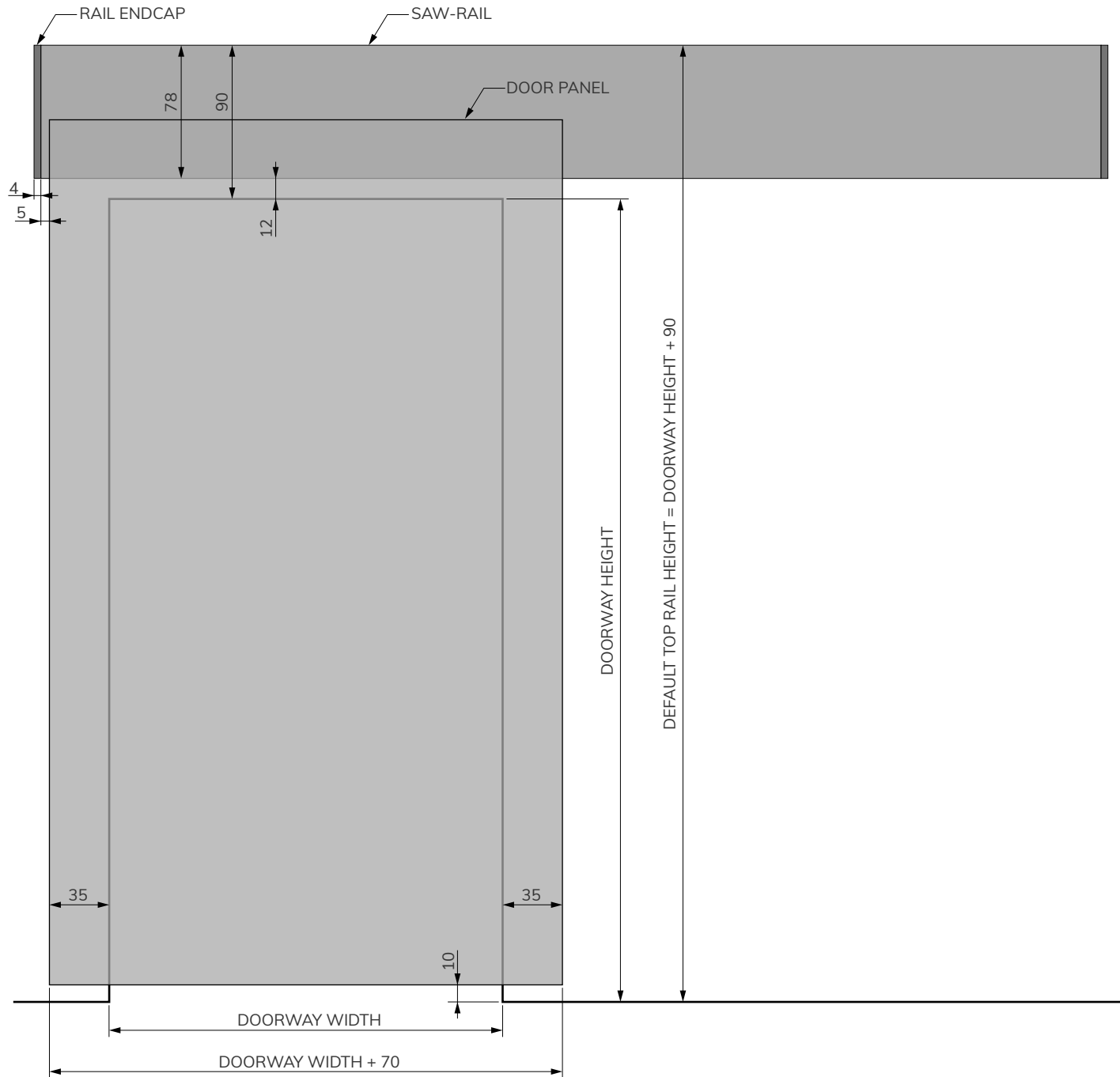
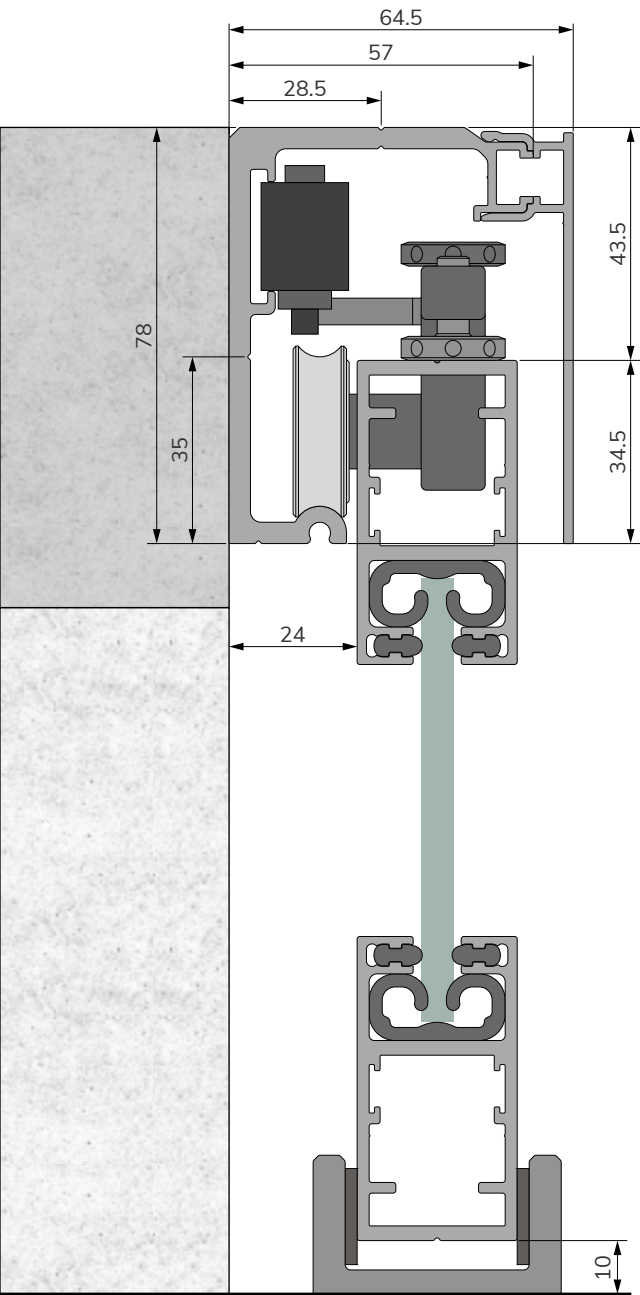
By PortaPivot

SLIDE-A-WAY

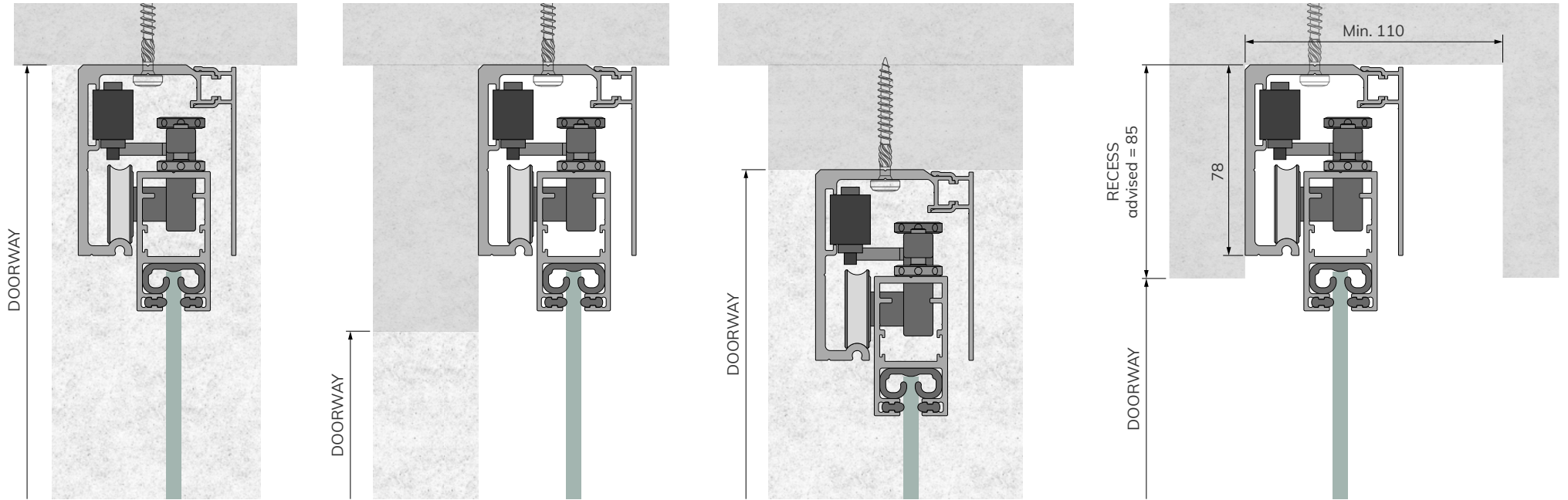
HOW TO MEASURE  
& ORDER ONLINE



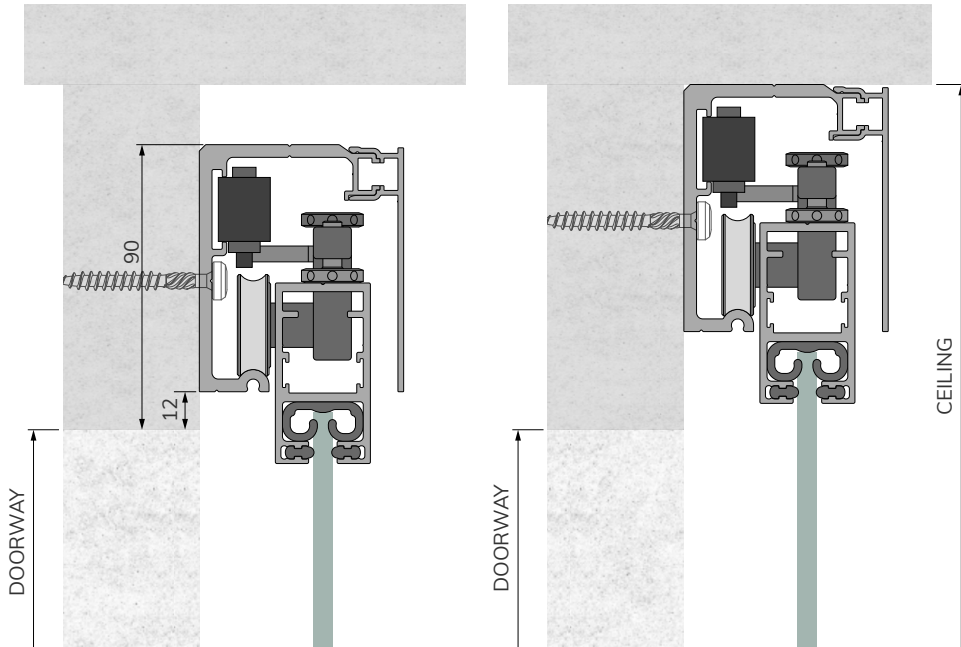
# SLIDE-A-WAY DIMENSIONS



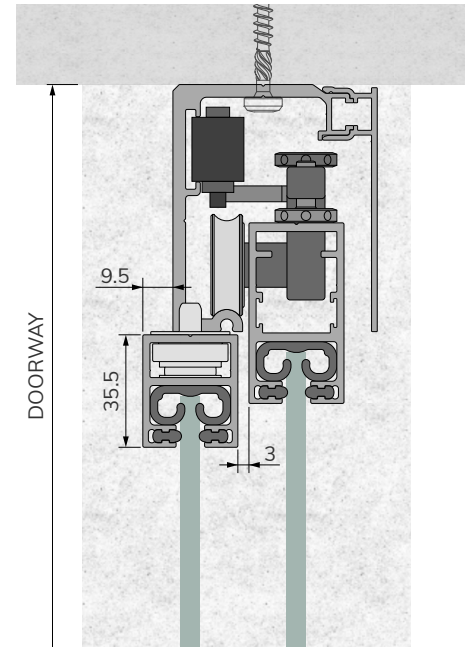
# CEILING MOUNT POSSIBILITIES



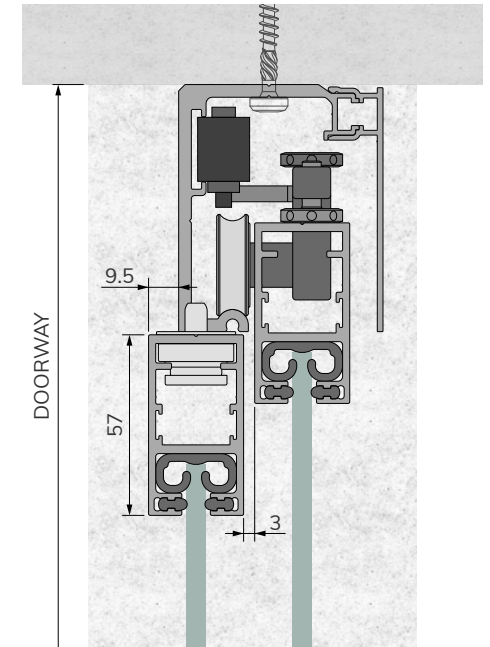
# WALL MOUNT POSSIBILITIES



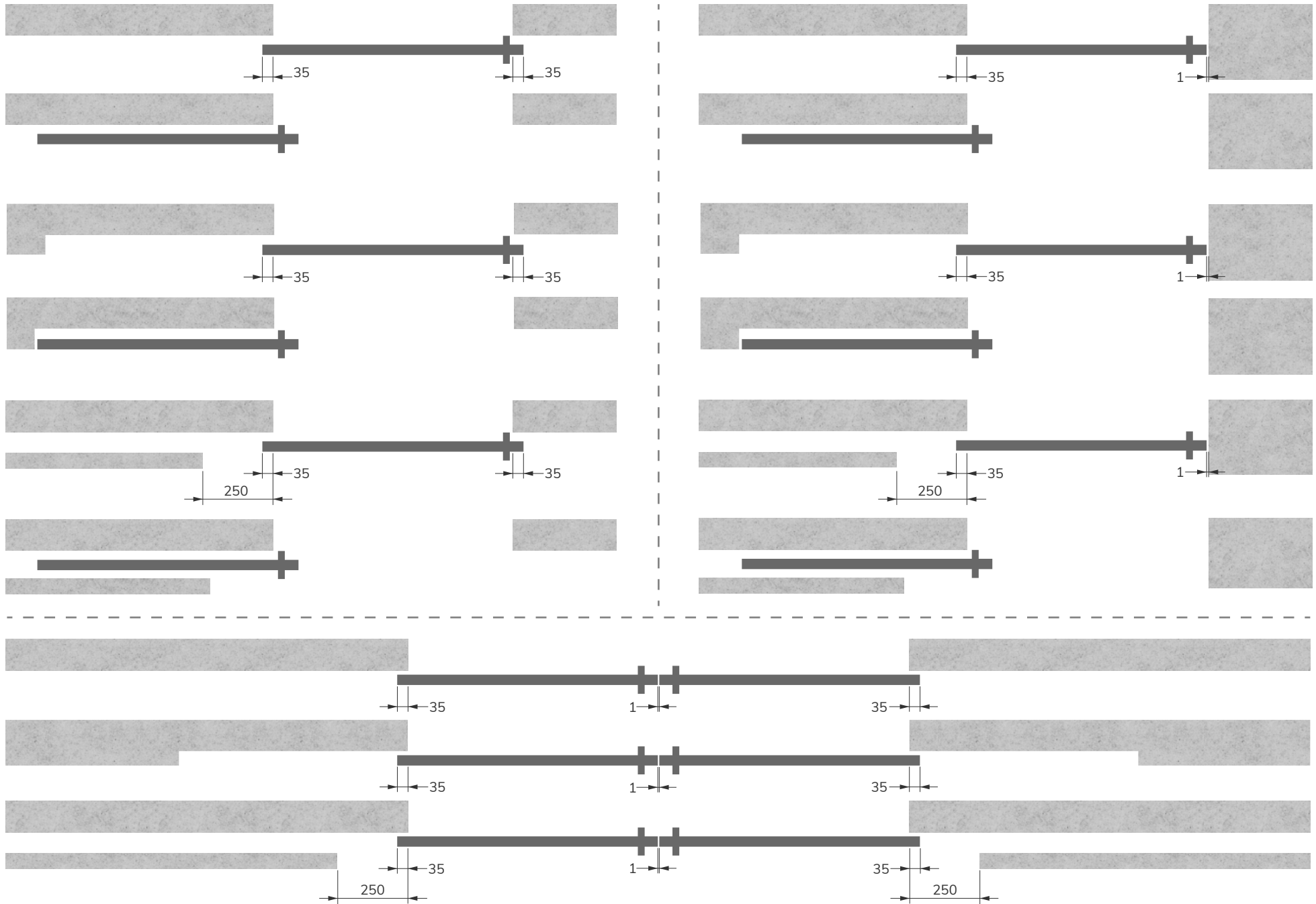
# + FIXED PARTITION 3530



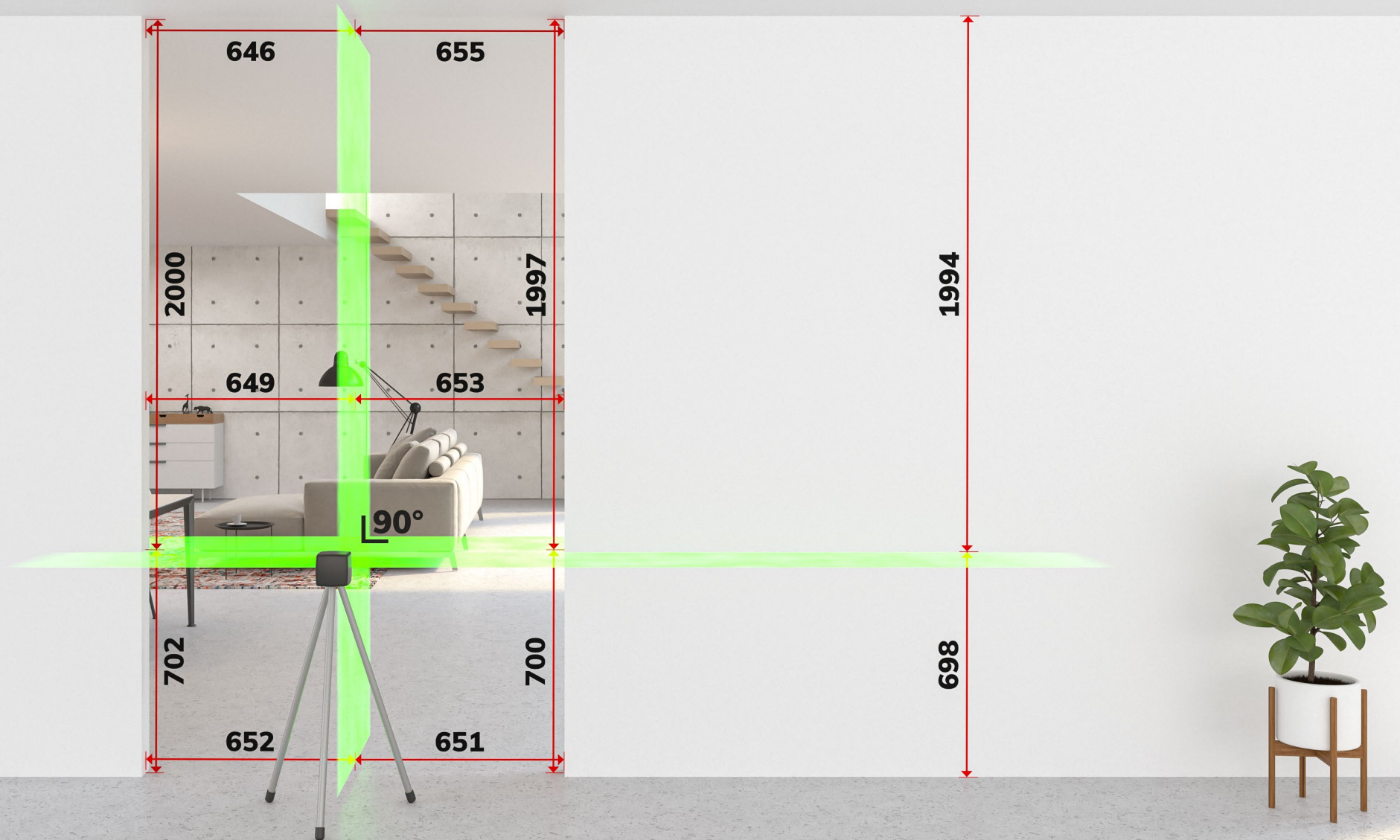
# + FIXED PARTITION 5730



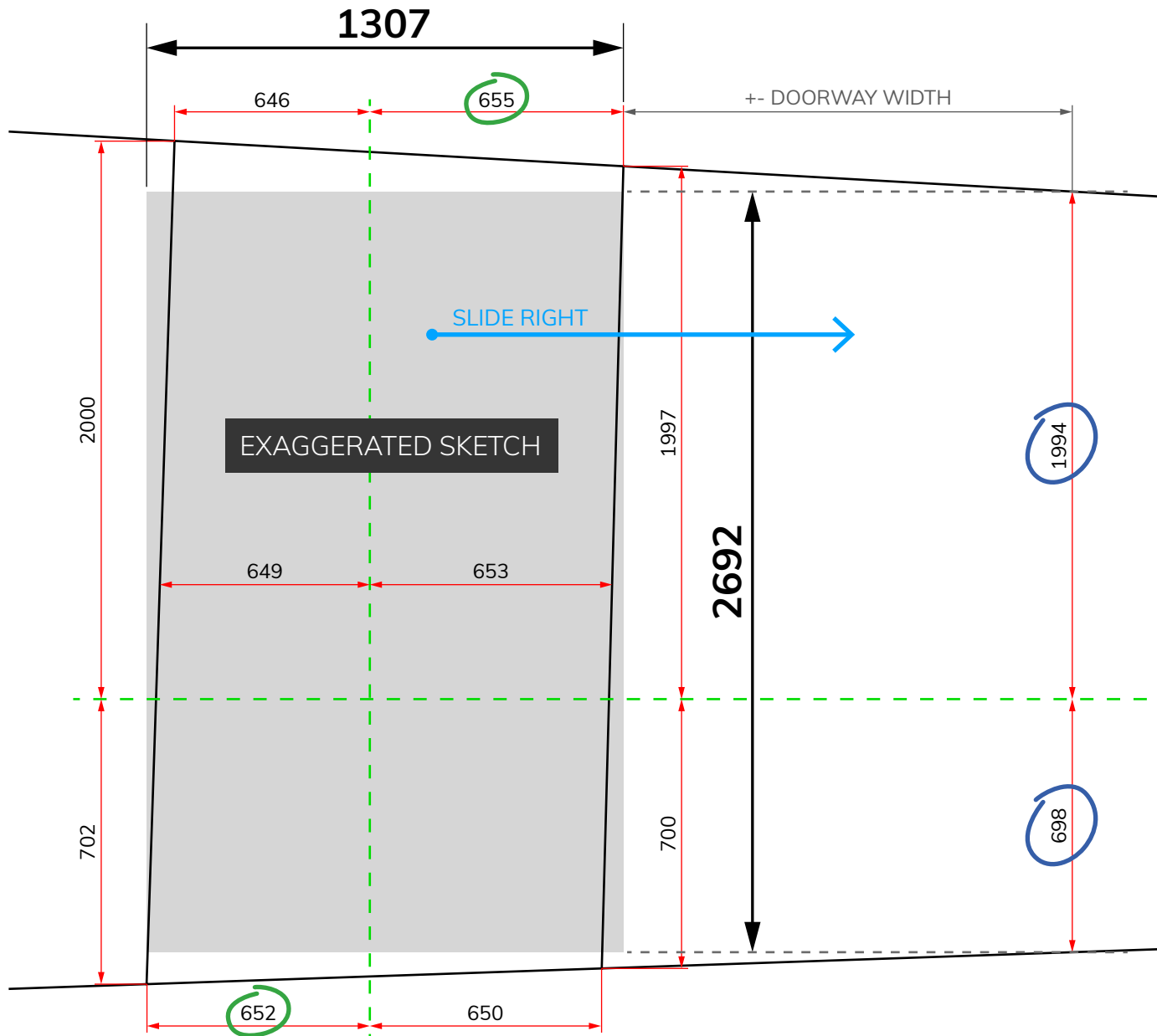
# OVERLAP POSSIBILITIES



# MEASURE THE FINISHED WALL OPENING & SLIDING AREA WITH AN ELECTRONIC LASER



# CALCULATE THE MAXIMUM RECTANGULAR SURFACE TO COVER THE WALL OPENING



Depending on the slide direction of the panel, and how slanted the ceiling and floor are, it's very important to also measure where the panel will end up in its opened position.

See 'different wall opening scenarios' for more information.

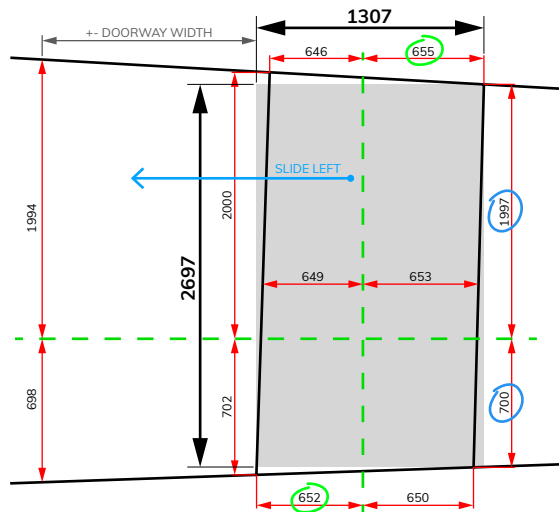
Use the smallest height dimensions and the largest width dimensions to calculate the maximum possible rectangle.

$$\text{HEIGHT} = 1994 + 698 = 2692 \text{ mm}$$

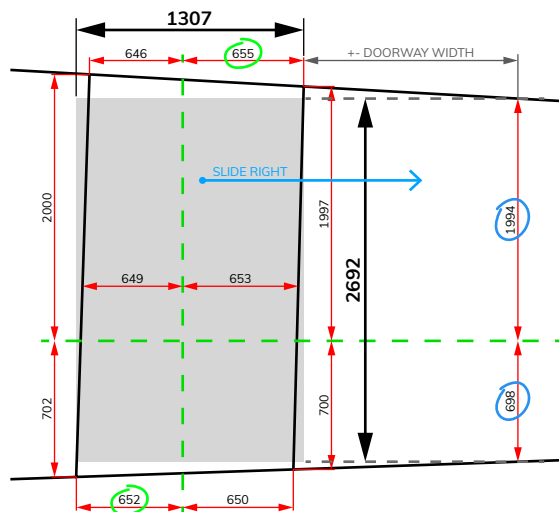
$$\text{WIDTH} = 652 + 655 = 1307 \text{ mm}$$

# DIFFERENT WALL OPENING SCENARIOS

## SLIDING DIRECTION

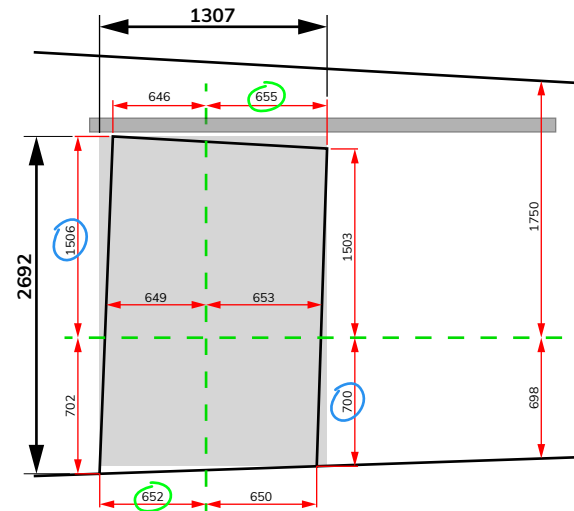


$\square = 2697 \times 1307$  In this case, you use the **wall opening dimensions**

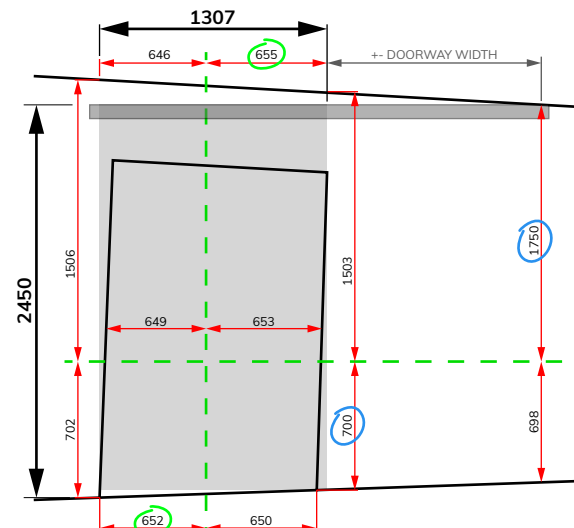


$\square = 2692 \times 1307$  In this case, you use the **wall opening width and ceiling height on the far right side!**

## WALL VS. CEILING MOUNT



$\square = 2206 \times 1307$  In this case, you use the **wall opening dimensions**



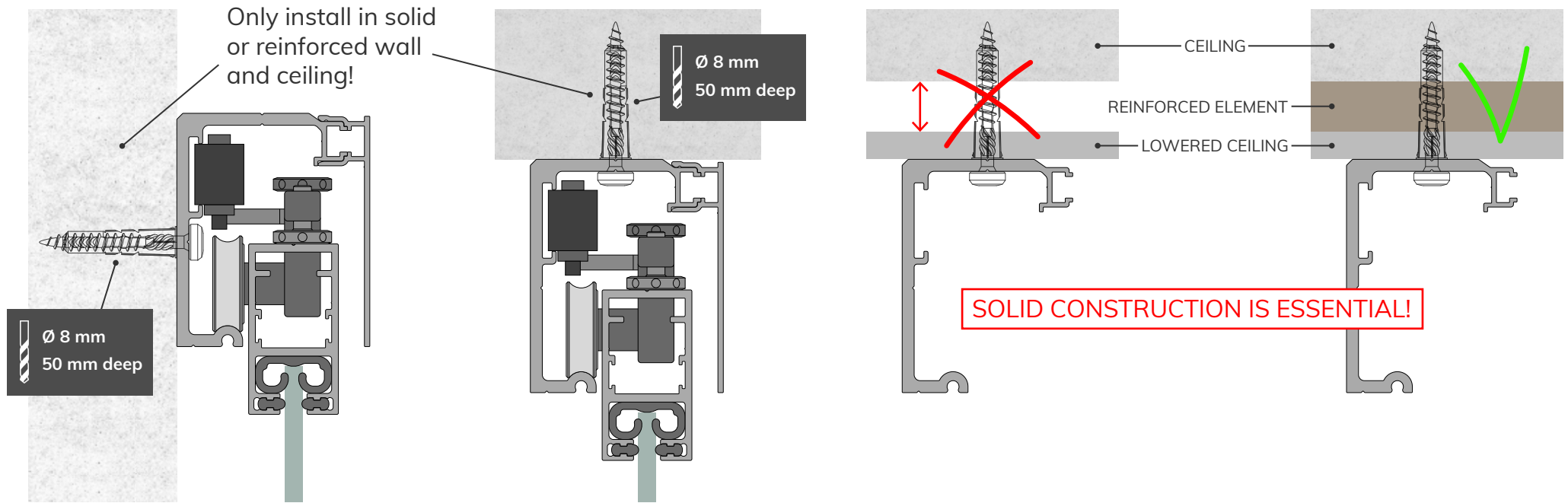
$\square = 2450 \times 1307$  In this case, you use the **wall opening width and ceiling height!**

ENTER THE CORRECT DIMENSIONS AT WWW.PORTAPIVOT.COM

The image shows a screenshot of the PortaPivot website's configuration tool. At the top left is the PortaPivot logo and a menu icon. At the top right are links for 'NL', 'Account', and 'Winkelwagen' (Shopping cart) with a '0' item count. Below the header is a navigation bar with tabs: 'Dimensions and layout' (active), 'Aluminium', 'Handles', 'Door grid', and 'Local Material'. A 3D rendering of a sliding door is shown in the center, set against a grey wall and a light-colored floor. A configuration panel is overlaid on the left side of the rendering. The panel has a close button (X) in the top right corner. It features two tabs: 'Millimeter' (selected) and 'Inches'. Under 'Wall opening width', a slider is set to 1307 mm, with the value circled in red. The range is from 600 to 1450 mm. Under 'Wall opening height', a slider is set to 2692 mm, also circled in red. The range is from 1800 to 2975 mm. The 'Wall-door Relation' section shows two options: 'Over Wall' (selected) and 'Against Wall'. The 'Rail mount' section has two radio buttons: 'Ceiling mounted' (selected) and 'Wall mounted'. The 'Slide direction' section has two radio buttons: 'Right' (selected) and 'Left'. At the bottom left of the configuration panel is a camera icon and the text 'Weergave'. At the bottom right of the configuration panel are two buttons: 'Overzicht' (Overview) and 'Bereken prijs' (Calculate price).



## MOUNTING PRECAUTIONS FOR RAIL



## MOUNTING PRECAUTIONS FOR FLOOR

