

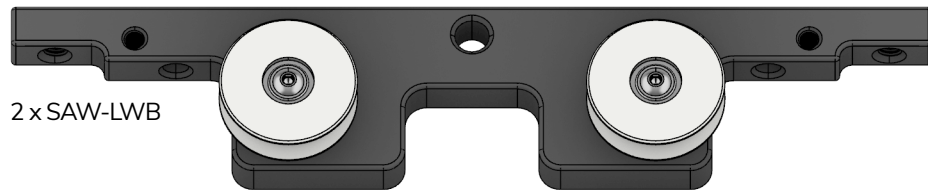
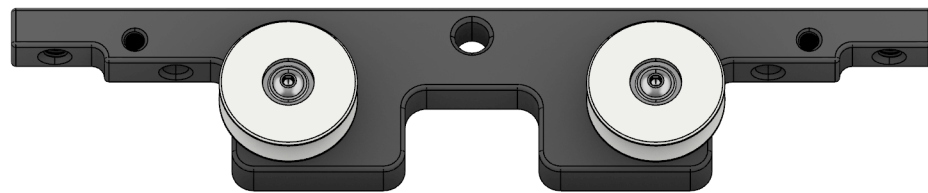


STEALTHPIVOT  
By PortaPivot

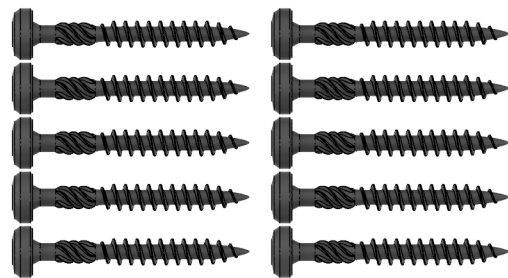
SLIDEWAYS 5730  
WALL MOUNT INSTALLATION



# SLIDEWAYS DOOR SETBOX



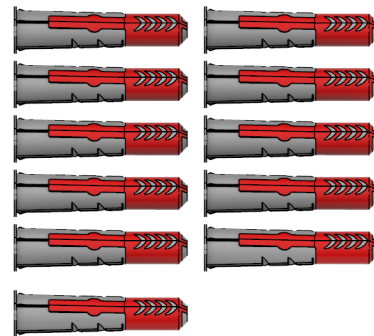
2 x SAW-LWB



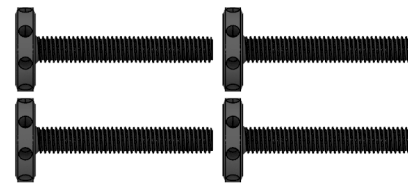
10 x Maxxfast CK 6x50 - black



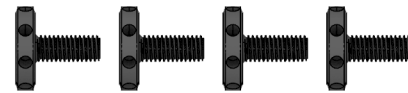
1 x Maxxfast CST 4,5x50 - black



11 x Fisher Duopower 8x40



4 x SAW-SCR41



4 x SAW-SCR15



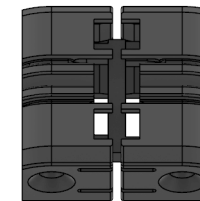
2 x DIN 427 - setscrew with shaft



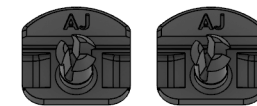
4 x DIN 916 - M5x10 setscrew



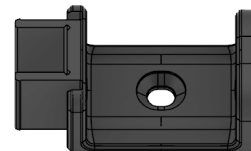
2 x DIN 916 - M5x6 setscrew



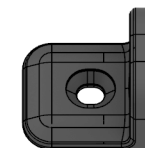
1 x SAW-SCLH-SET



2 x SAW-AJ



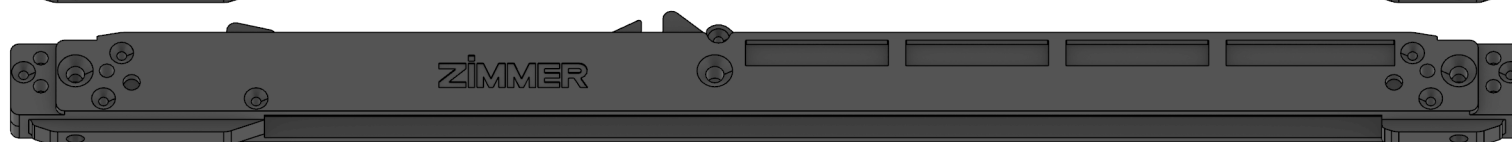
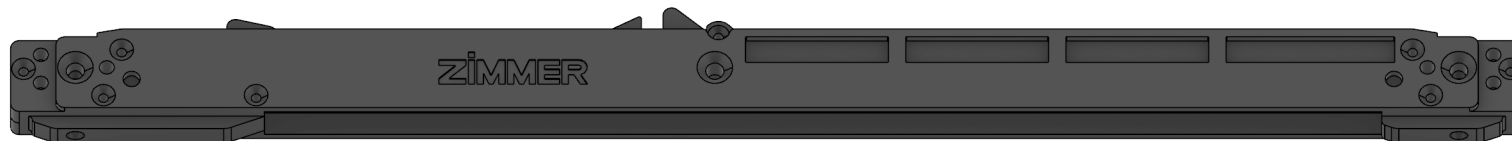
1 x SAW-VLGL30



1 x SAW-VLGLENDA

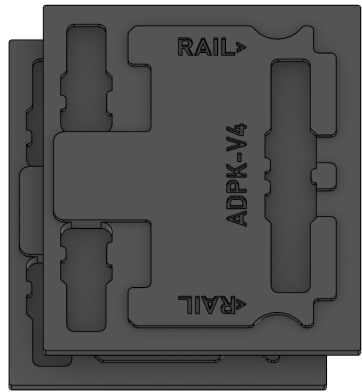


2 x VILT Ø18 mm

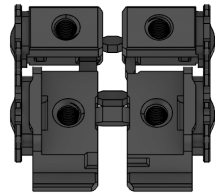


2 x E100-08-151 smooth comfort

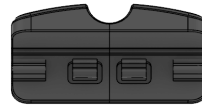
# SLIDEWAYS RAIL SETBOX



2 x SAW-ADPK



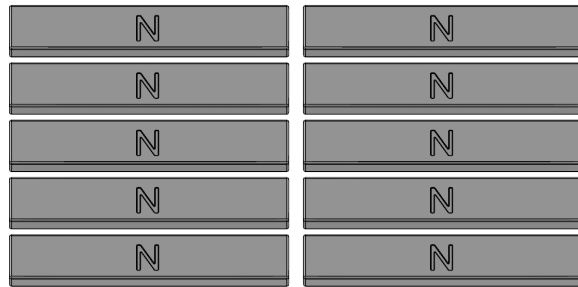
1 x SAW-ADPCONN-SET



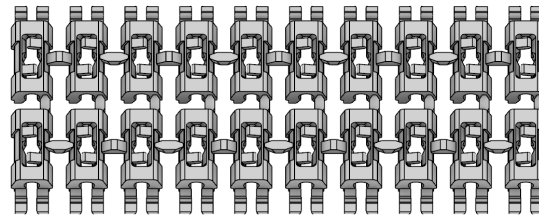
1 x SAW-BOOR



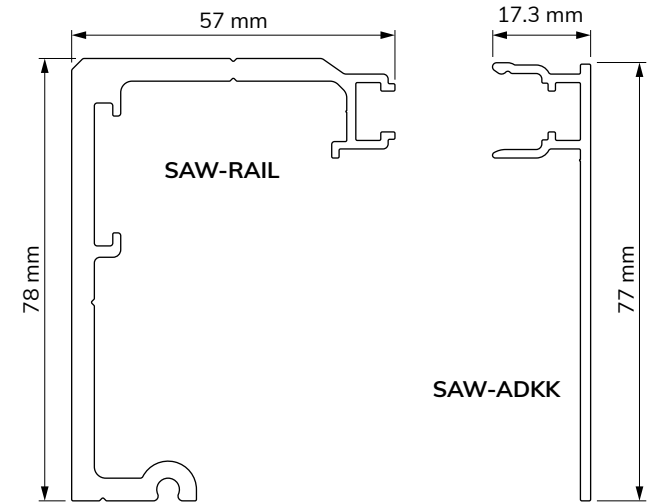
4 x DIN 916 - M5x10 setscrew



10 x MAGNET



1 x MAGKL-SET



BLACK

SILVER

BRONZE

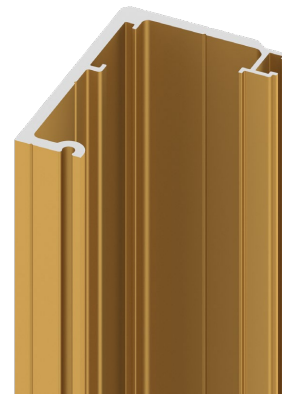
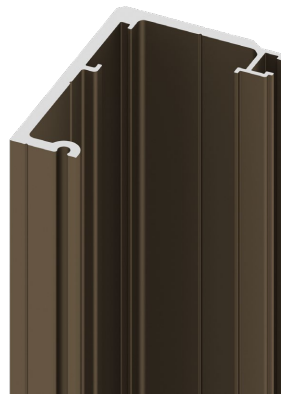
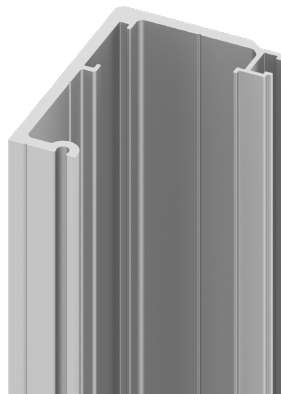
GOLD

BLACK

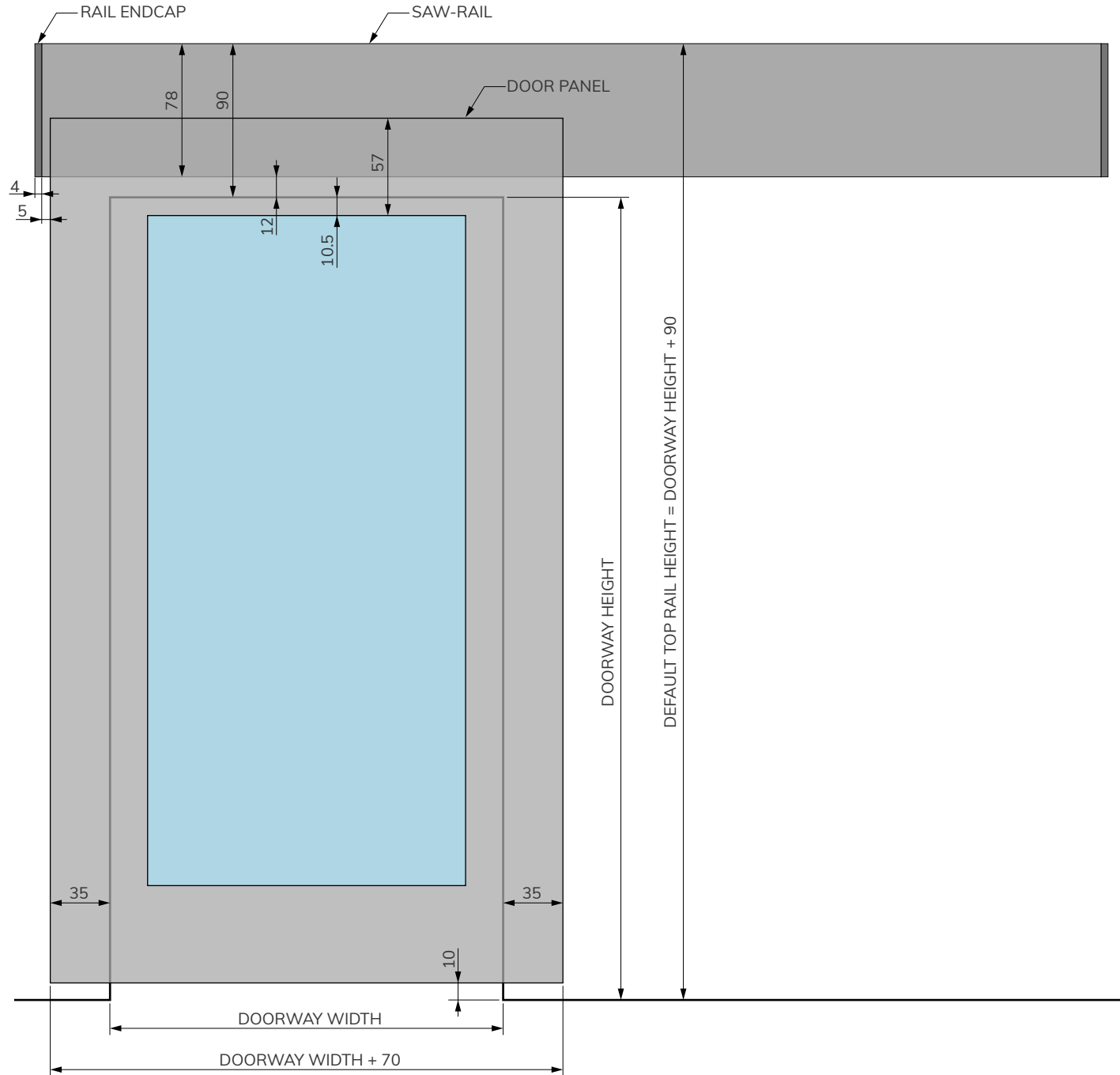
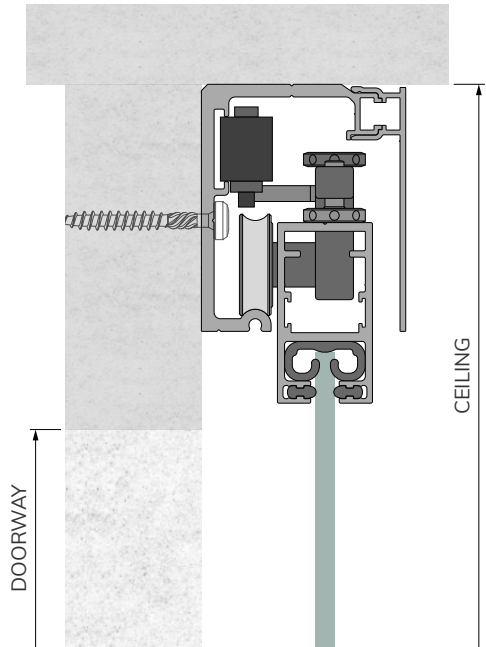
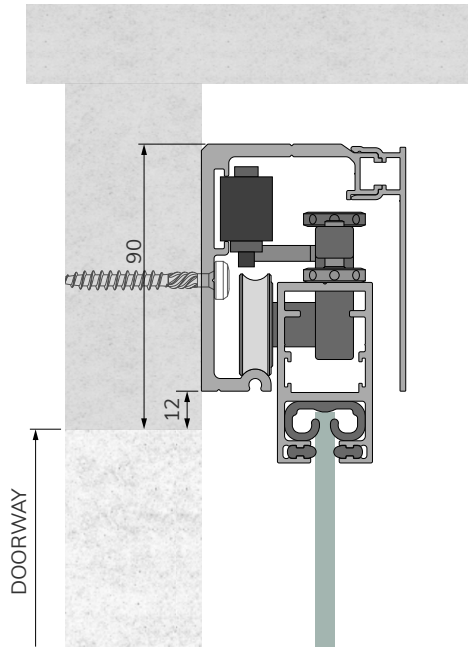
SILVER

BRONZE

GOLD



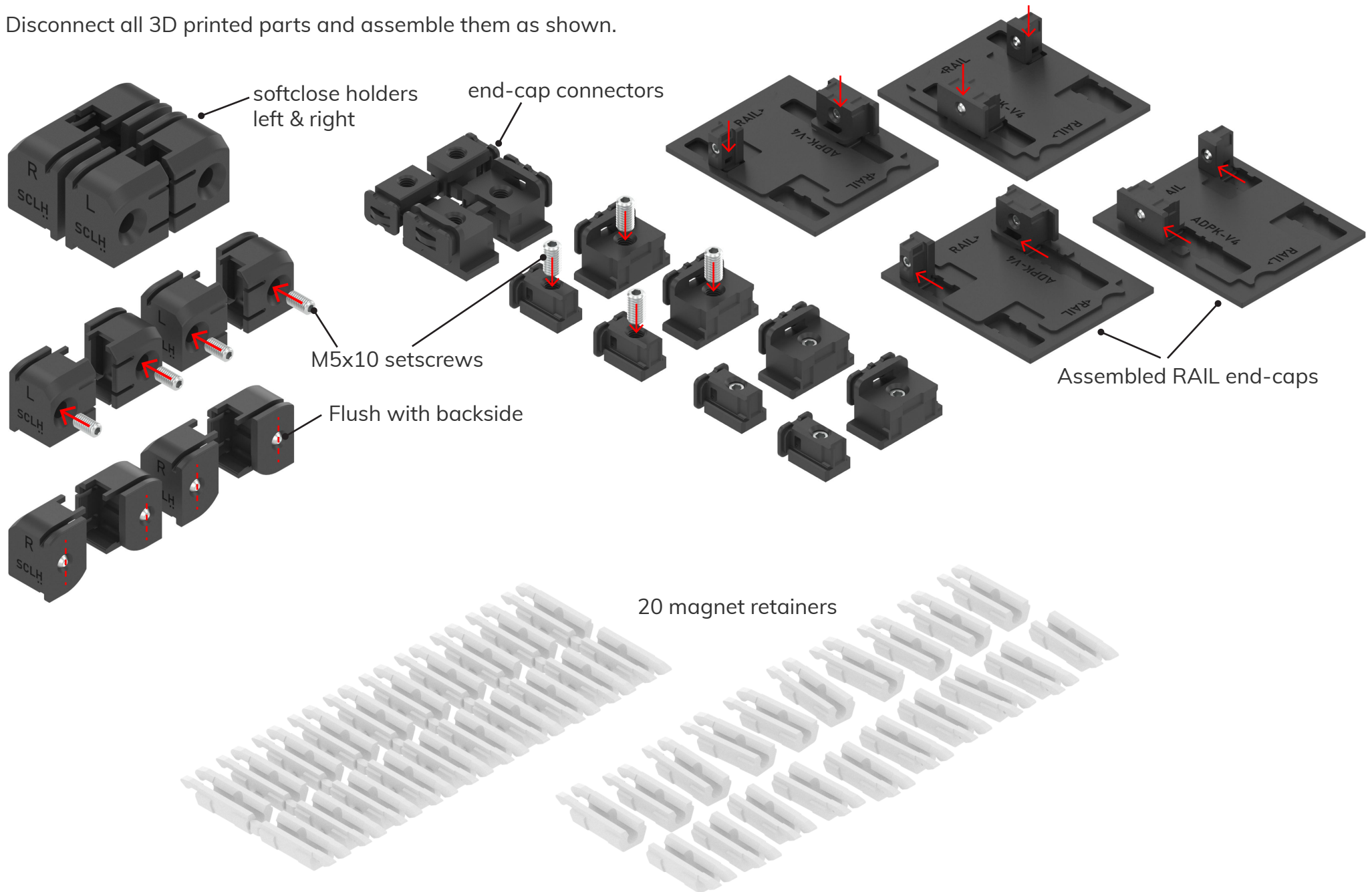
# SLIDEWAYS DIMENSIONS



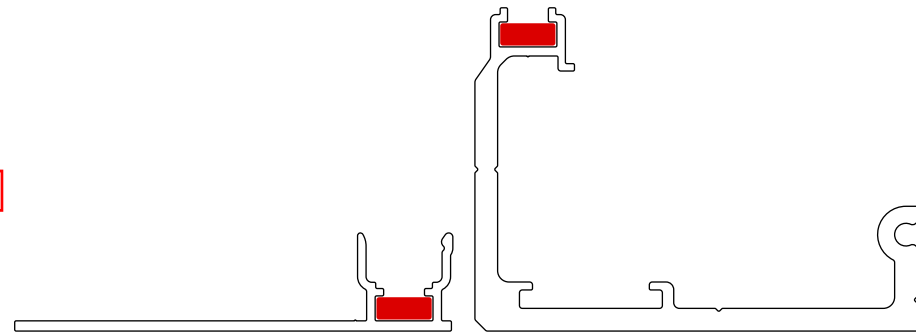
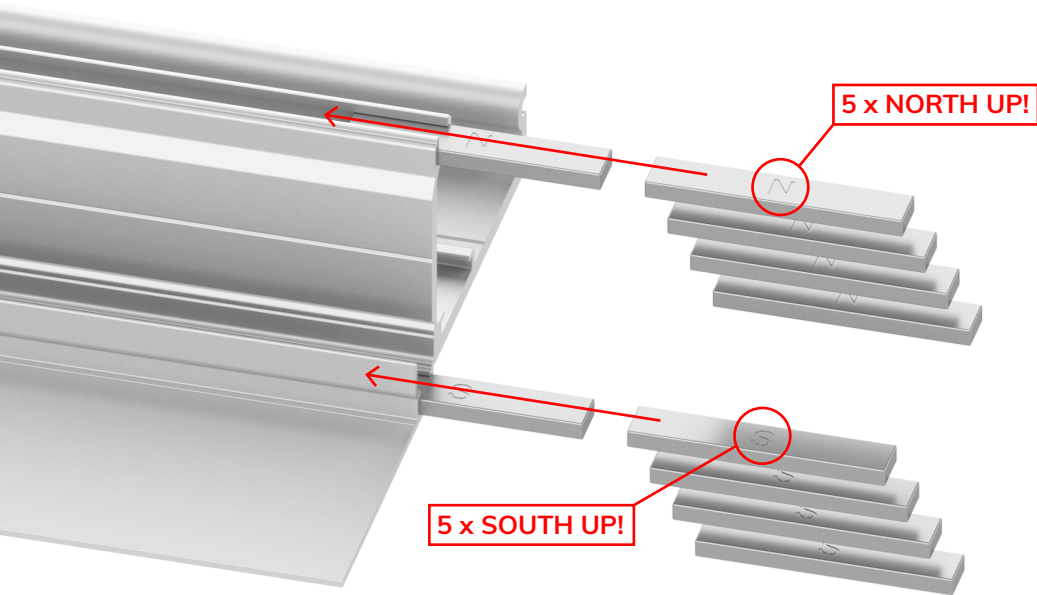


# PREPARE 3D PARTS

Disconnect all 3D printed parts and assemble them as shown.

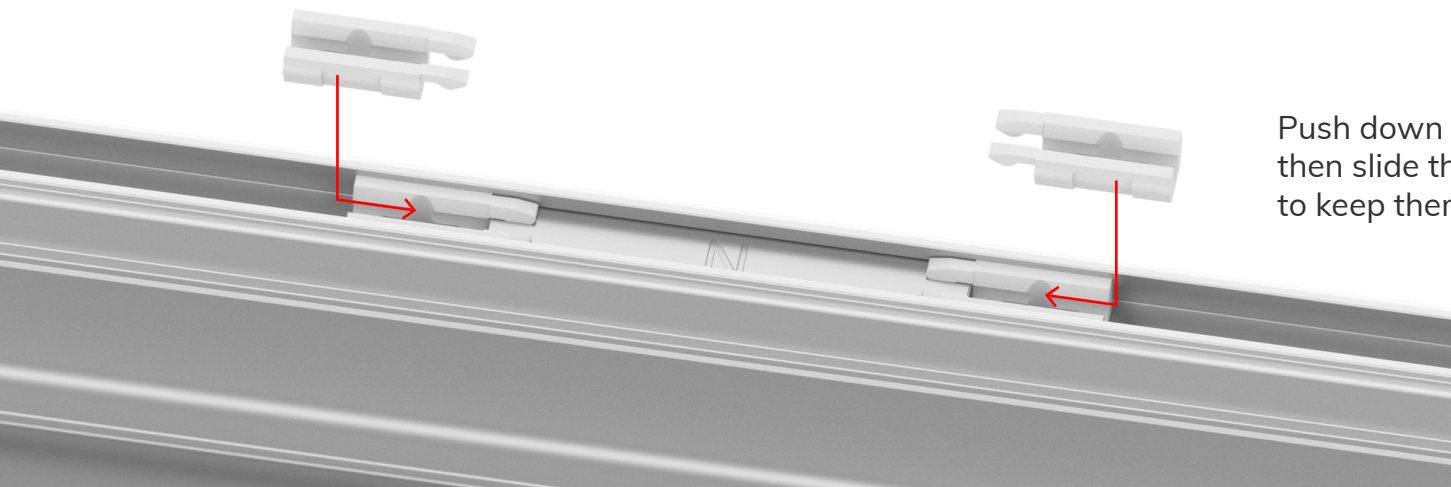
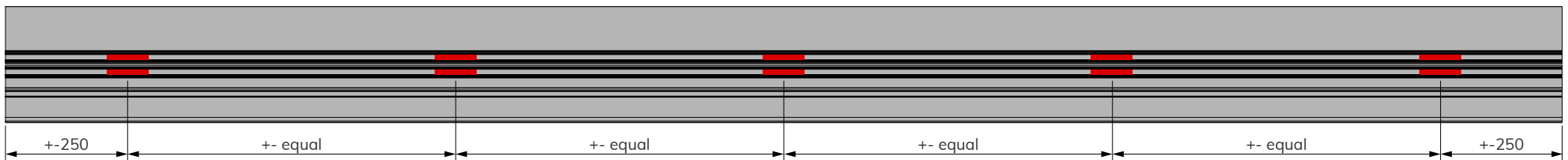


# INSERT RAIL MAGNETS



Position the SAW-RAIL and SAW-ADKK profiles next to each other and slide 5 magnets into each profile.

Place the magnets as shown below, and align them in both profiles.



Push down the magnet retainers in the profile, then slide them towards and over the magnets to keep them in place.

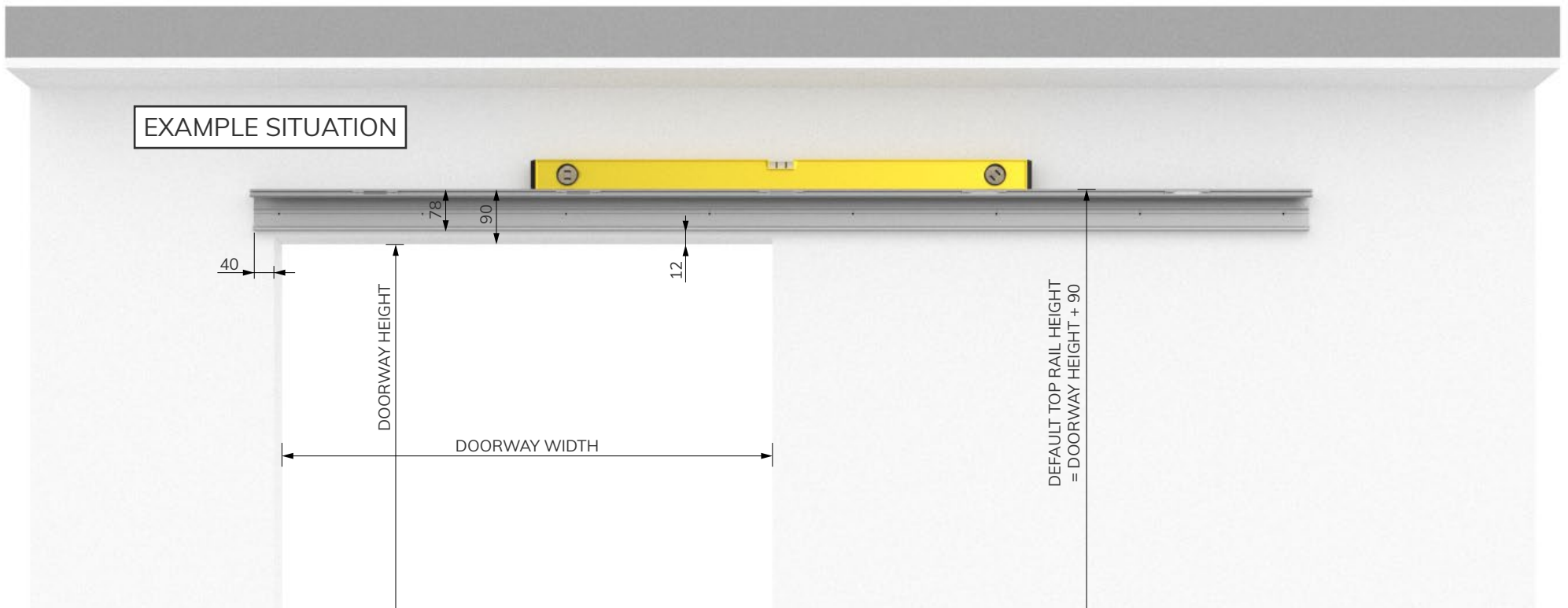
## POSITION RAIL



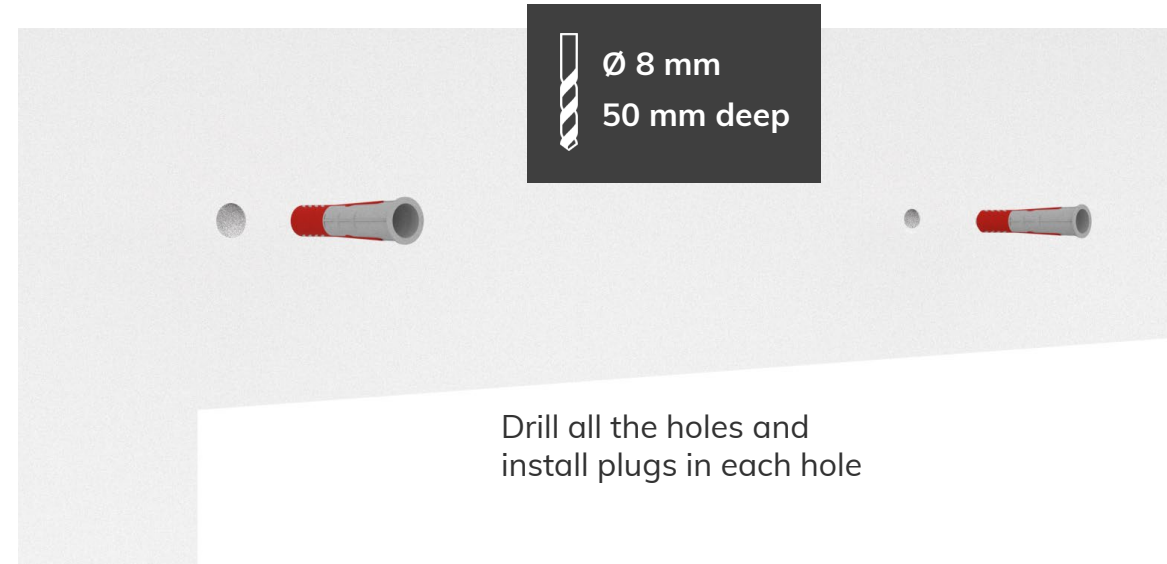
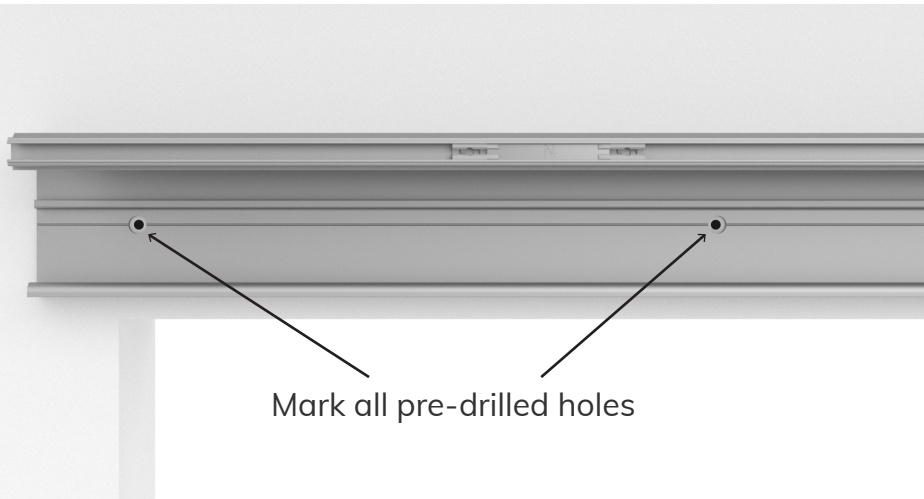
Position the SAW-RAIL exactly level in the desired position in relation to the doorway.

This depends on the doorway measurements, desired wall overlap (open & closed position), sliding direction, door handle type, etc... Double check your doorway measurement data!

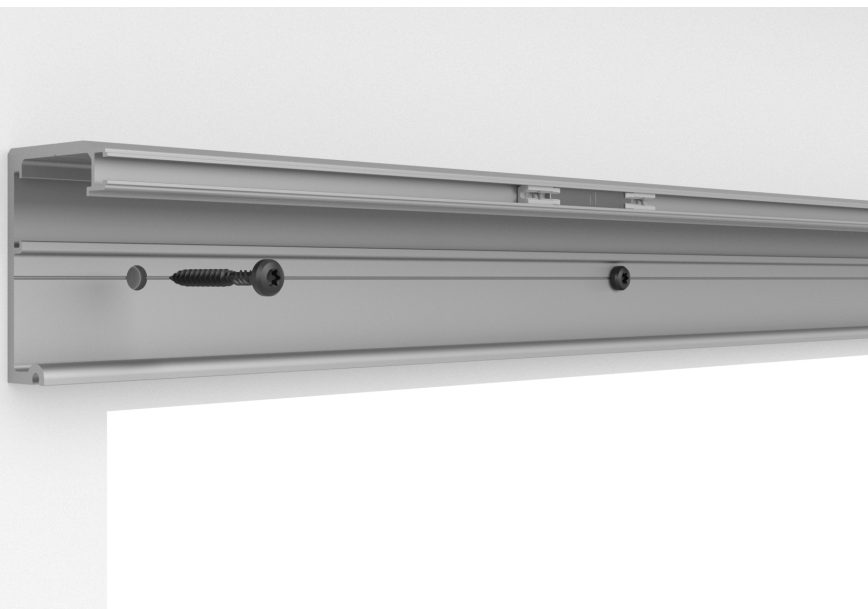
For more information, please refer to the "HOW TO MEASURE & ORDER ONLINE" manual.



## MARK & DRILL HOLES



Install the rail using the supplied screws



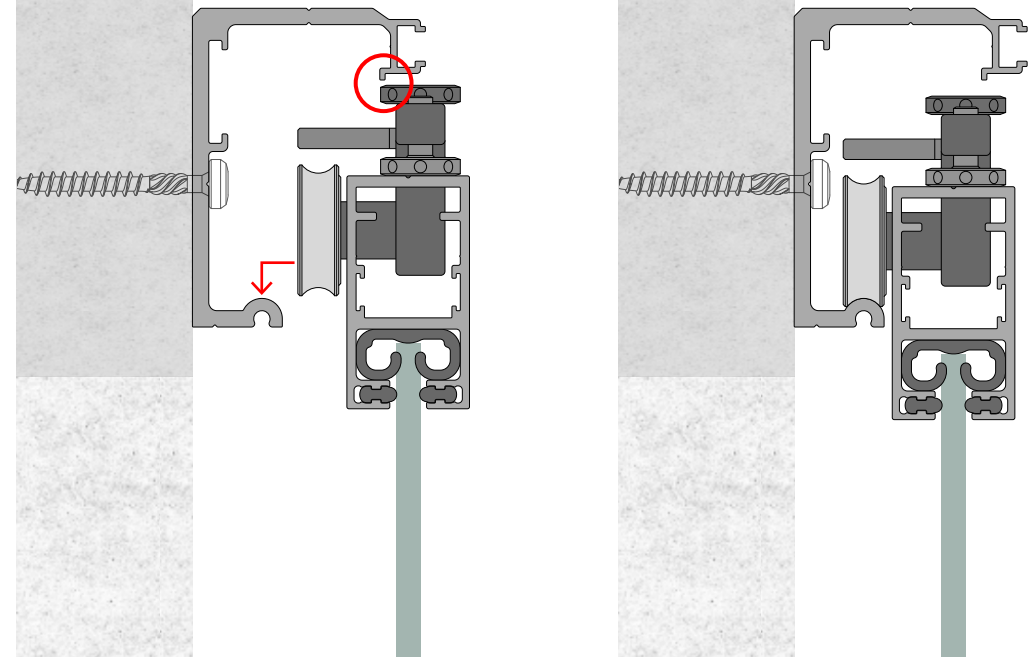
Double check that the rail is perfectly level





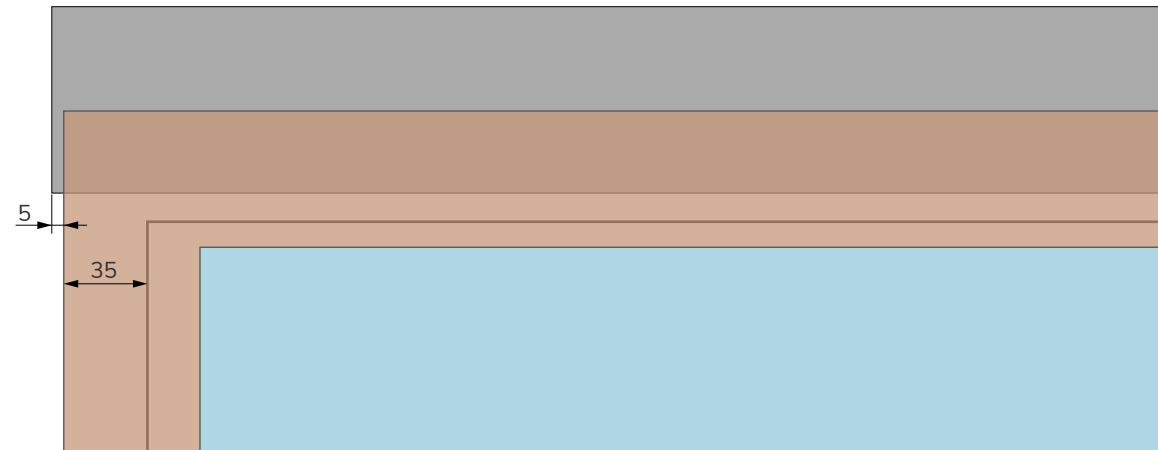
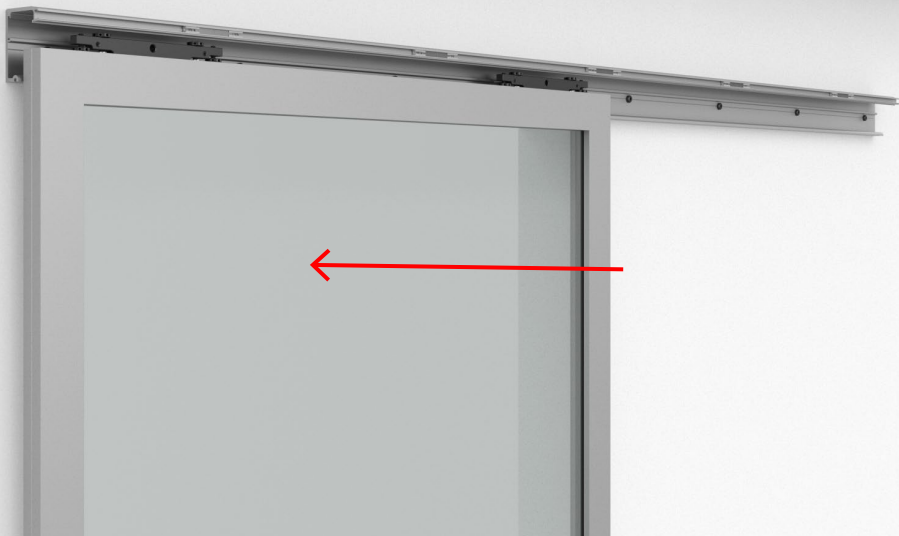
## INSTALL DOOR LEAF

Clean the rail extremely well before installing the door leaf!



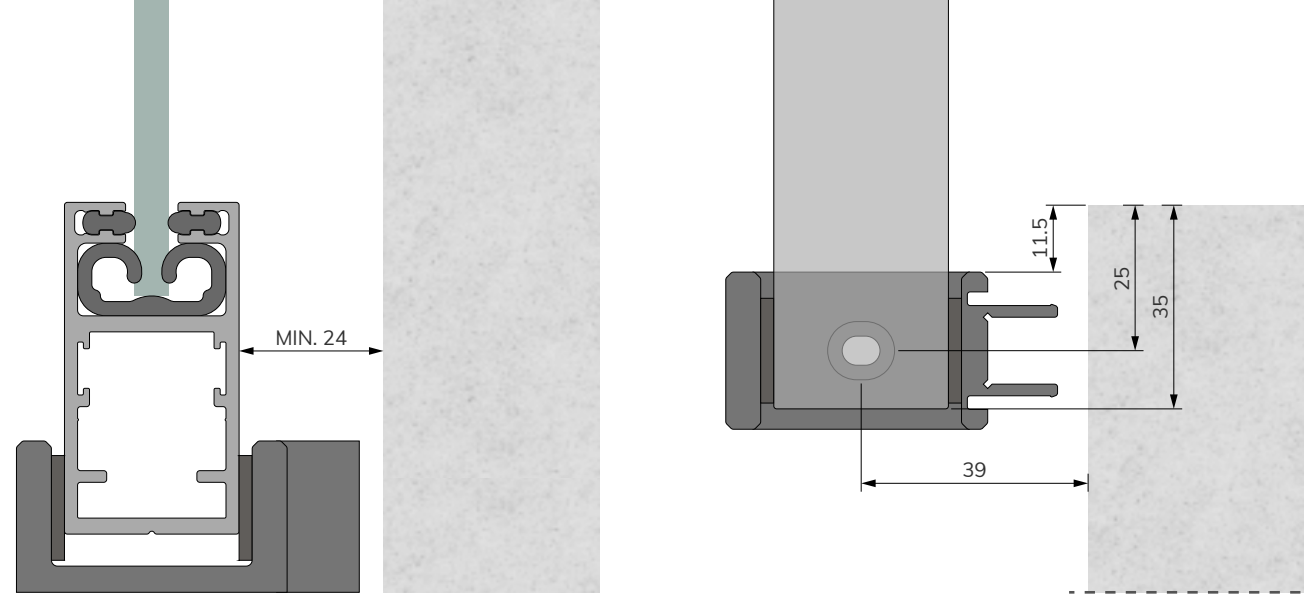
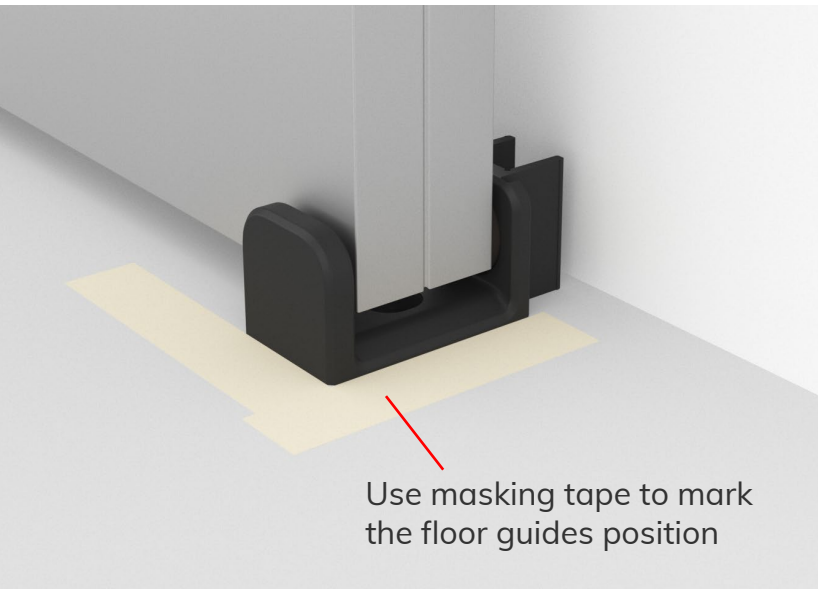
Install the door leaf onto the rail. Try to lift the door as upright as possible as space is limited.

Move the door to its closed position. Be careful as there is no soft close installed yet!





## INSTALL FLOOR GUIDE

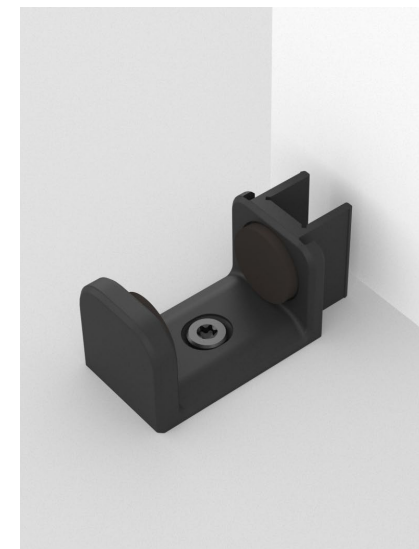
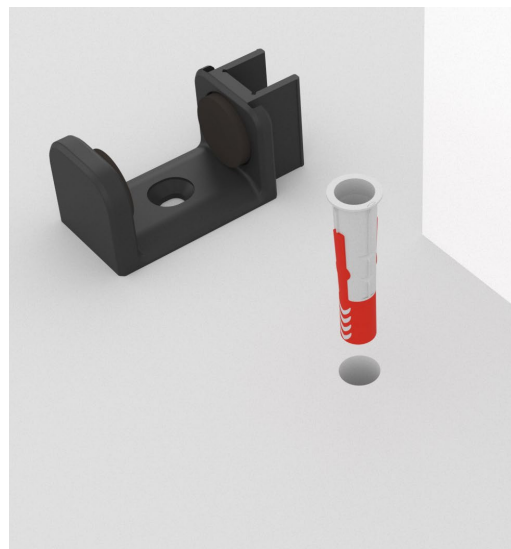


- 1 Position the floor guide as shown and mark with masking tape. Spacing between wall and door leaf should be 24 mm. Center of the guide should be 25 mm from the doorway edge.

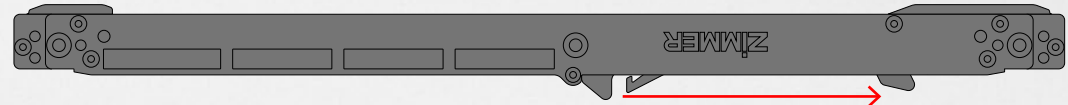
- 2 Slide the door further than the floor guide if possible, or remove the door from the rail and mark the center onto the floor.



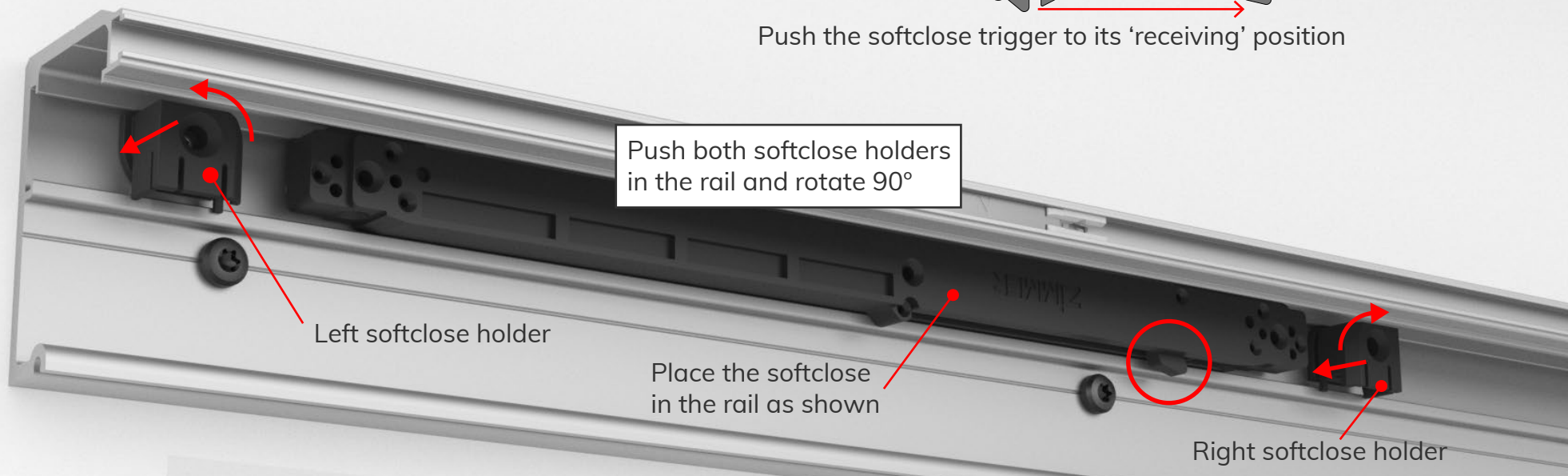
- 3 Drill the hole, secure with supplied screw and remove masking tape.



# INSTALL SOFTCLOSE



Push the softclose trigger to its 'receiving' position



Push both softclose holders in the rail and rotate 90°

Left softclose holder

Place the softclose in the rail as shown

Right softclose holder



Slide softclose holders over the softclose ends, and slide the assembly to +-28 mm from the rail edge.

+ -28 mm



Lock the softclose holders with a 2.5 mm allen key. Don't over tighten the setscrews!



Place the door leaf back in the middle of the rail if you removed it in the previous steps.

Repeat for the second softclose!

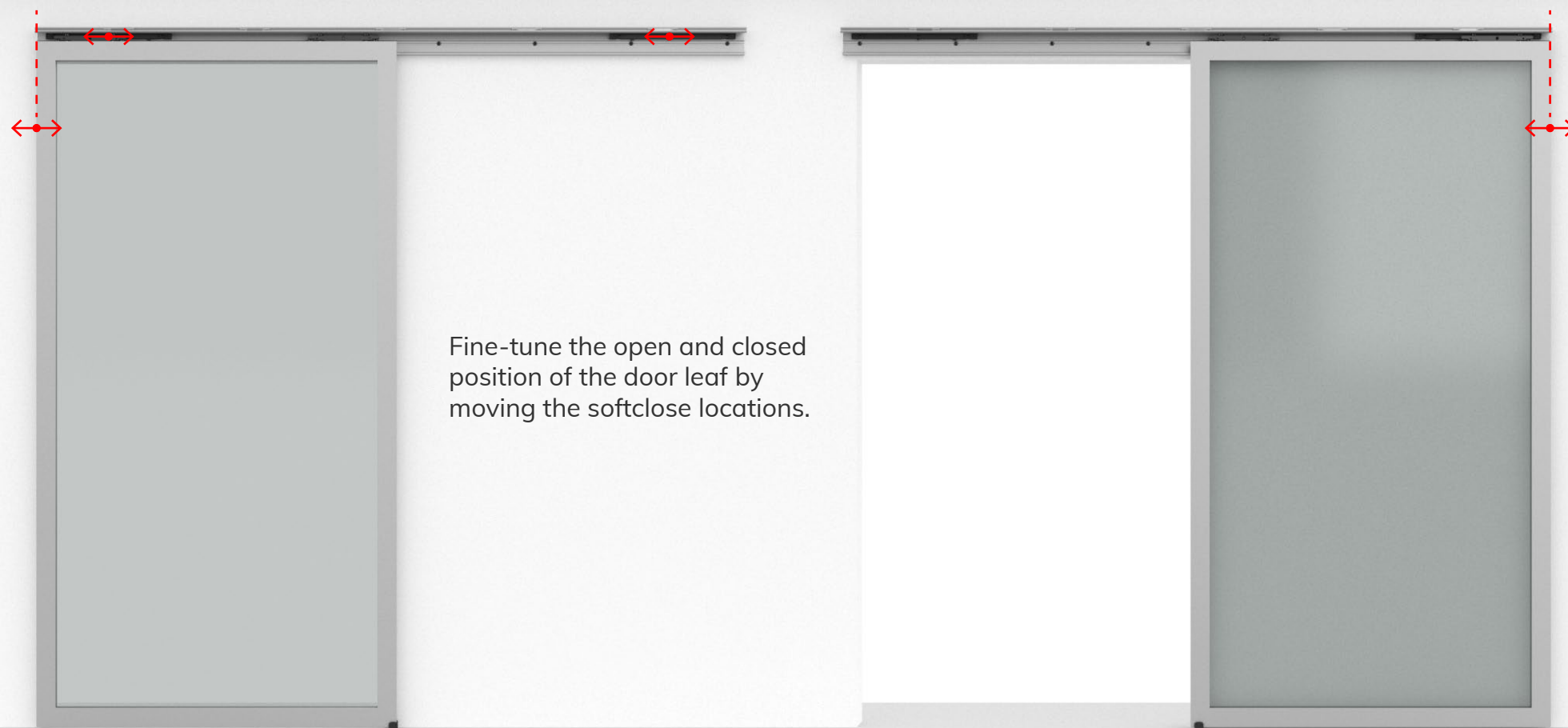
Make sure both softclose triggers are in their 'receiving' position, and facing each other.



This softclose location depends on how far the door should open (preference, door handle type,...). This can be adjusted easily later on.

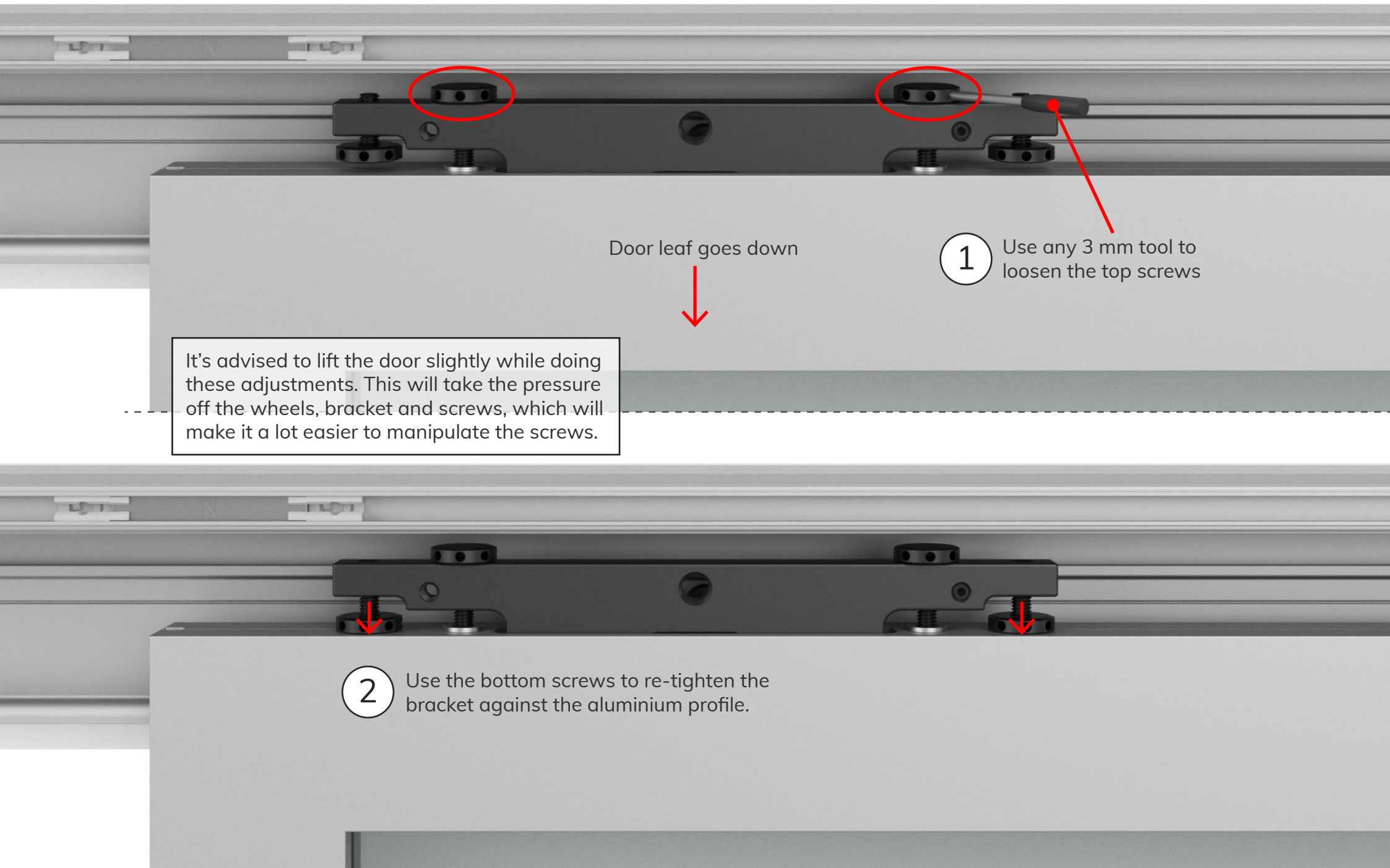


## ADJUST SOFTCLOSE POSITIONS



Fine-tune the open and closed position of the door leaf by moving the softclose locations.

## ADJUST DOOR LEAF DOWN





## ADJUST DOOR LEAF UP

It's advised to lift the door slightly while doing these adjustments. This will take the pressure off the wheels, bracket and screws, which will make it a lot easier to manipulate the screws.

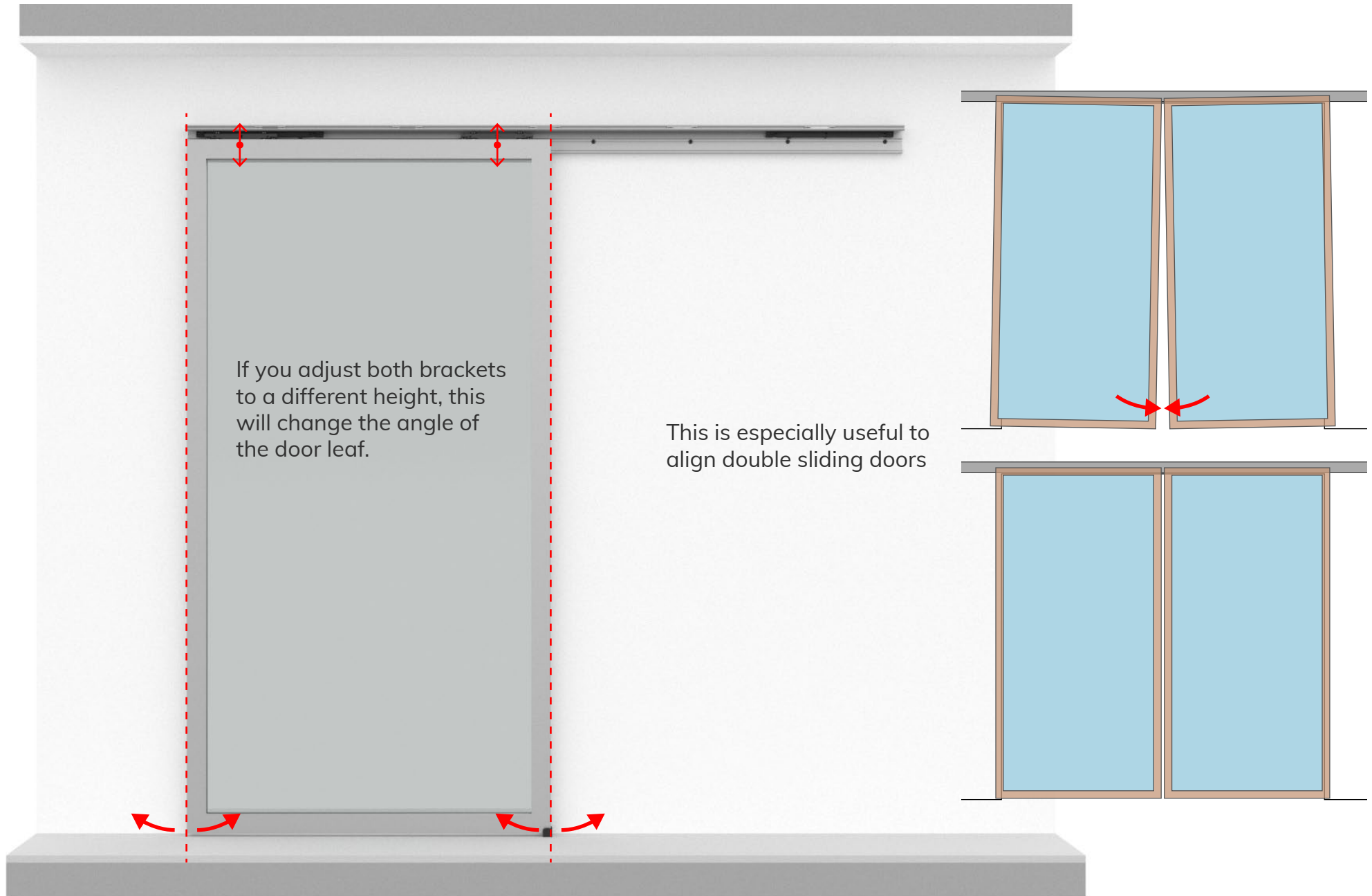
1 Use any 3 mm tool to screw in the bottom screws

2 Screw in the top screws to increase the door leaf height

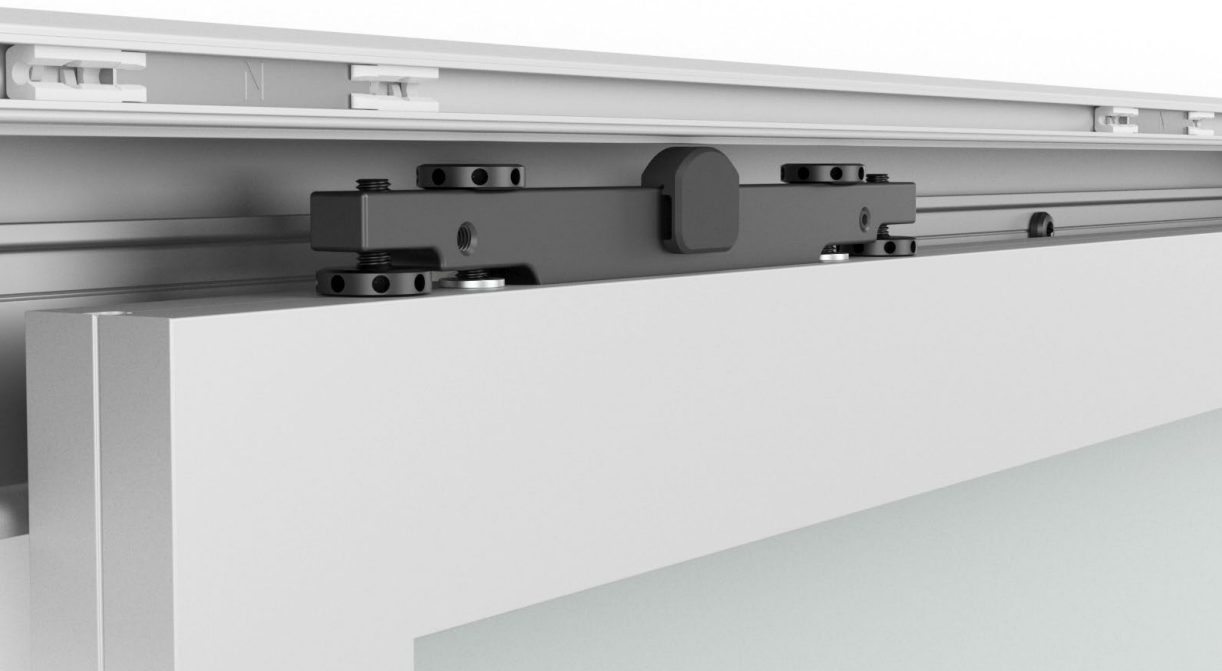
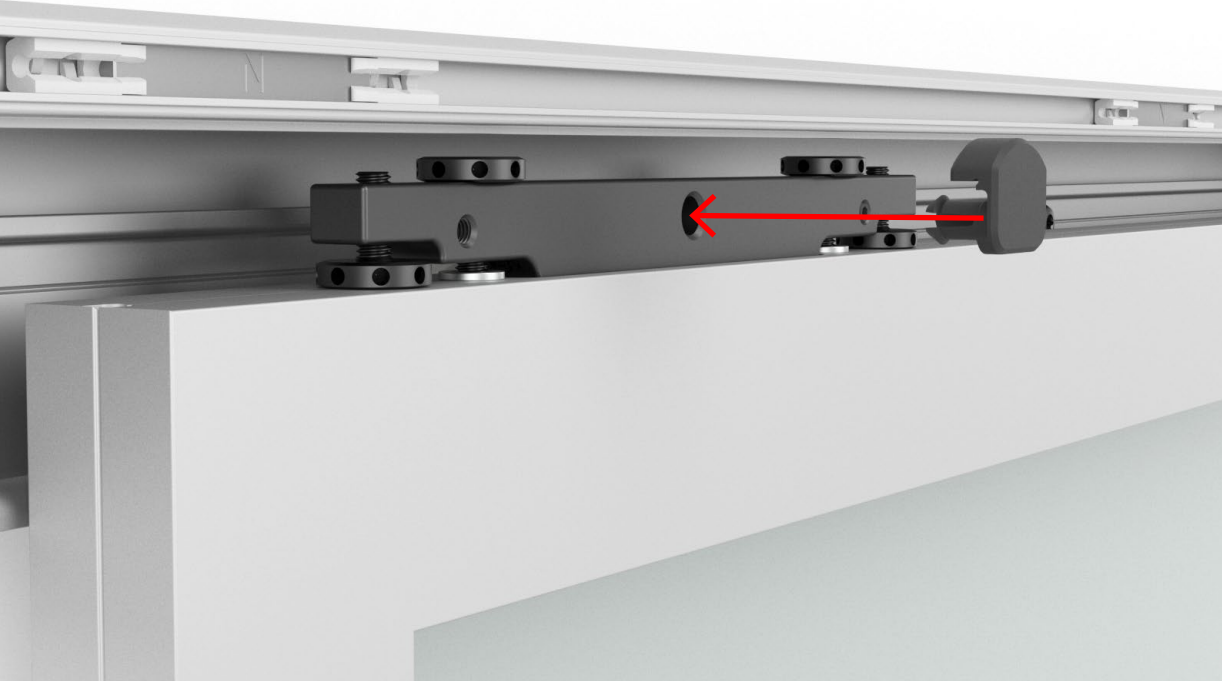
3 Use the bottom screws to re-tighten the bracket against the aluminium profile.

Door leaf goes up

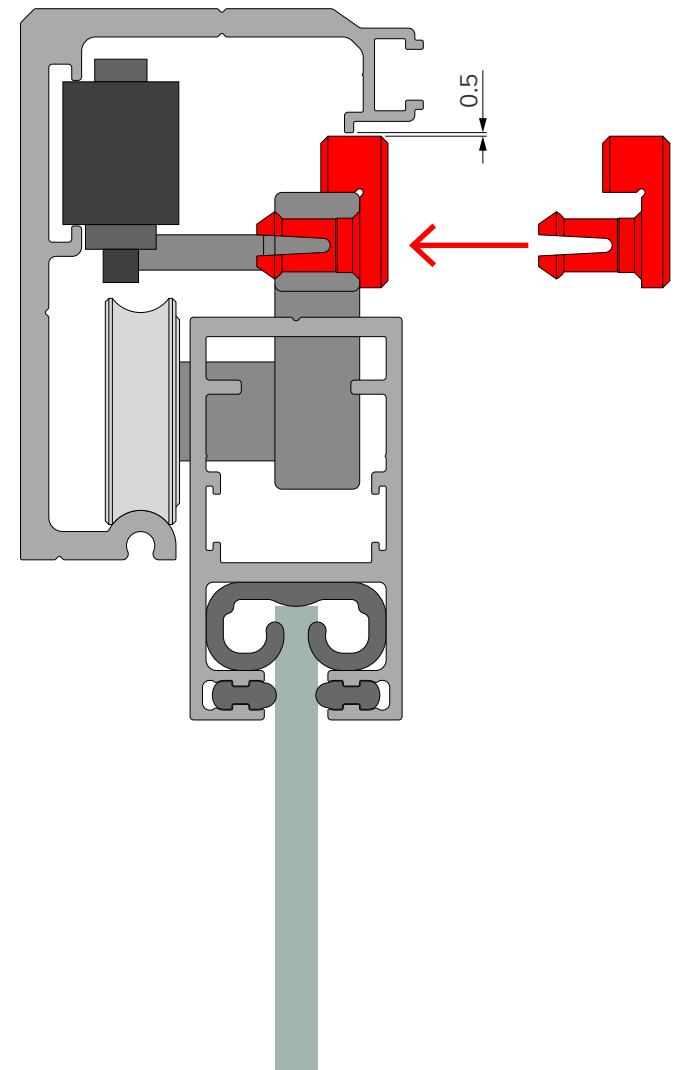
## LEVEL/ALIGN THE DOOR LEAF



## ANTI JUMP PROTECTION

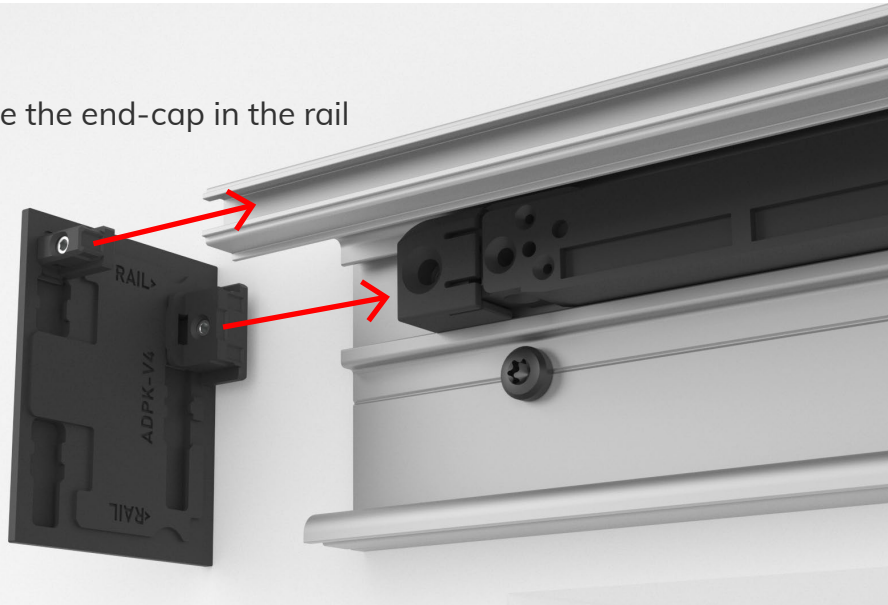


To prevent the door from accidentally jumping off the rail, mount an anti jump part in each steel bracket.

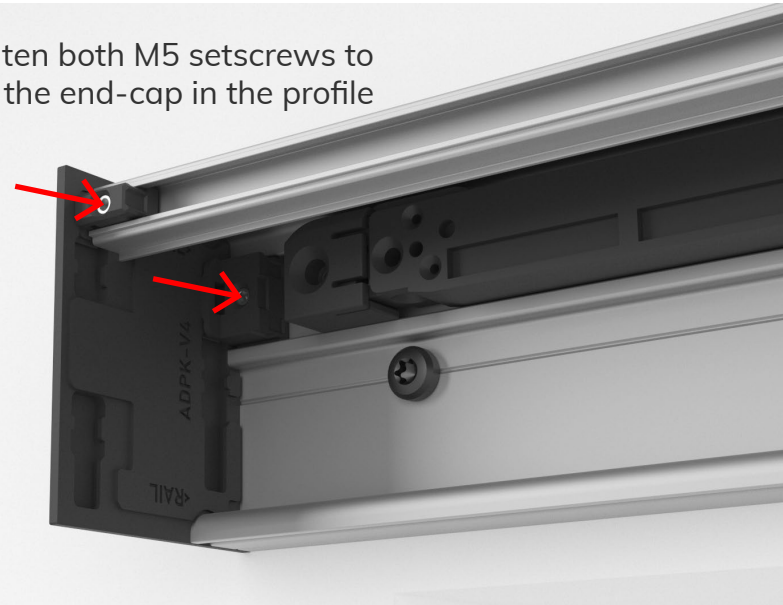


## RAIL END-CAPS

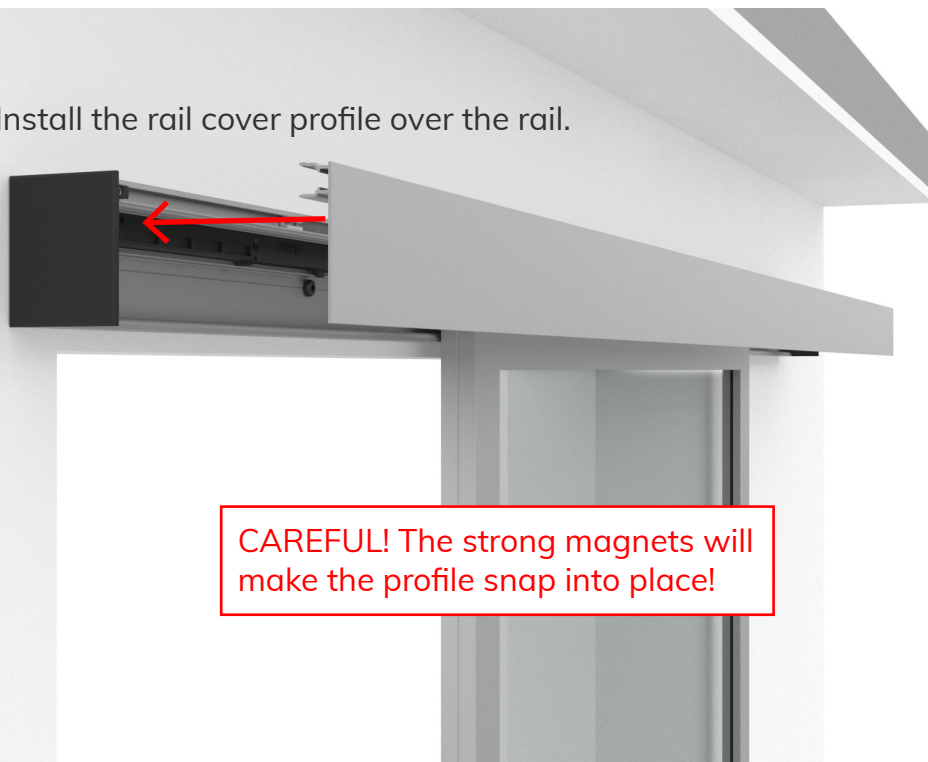
Slide the end-cap in the rail



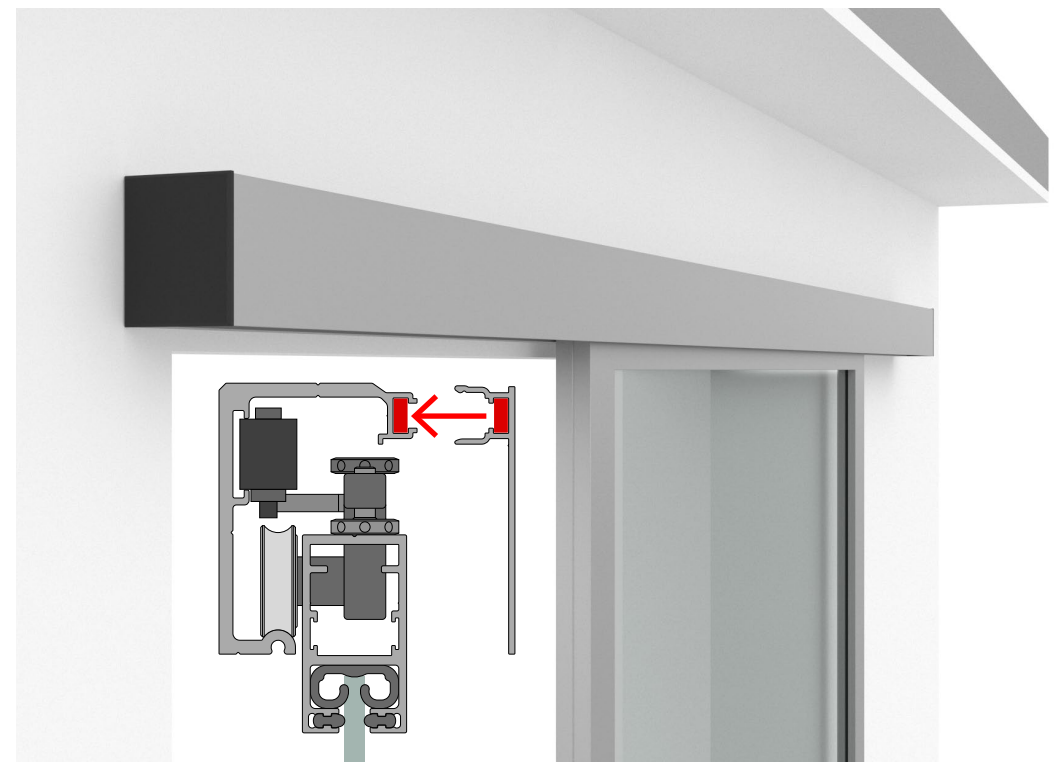
Tighten both M5 setscrews to lock the end-cap in the profile



Install the rail cover profile over the rail.



**CAREFUL!** The strong magnets will make the profile snap into place!



FINISHED PRODUCT

