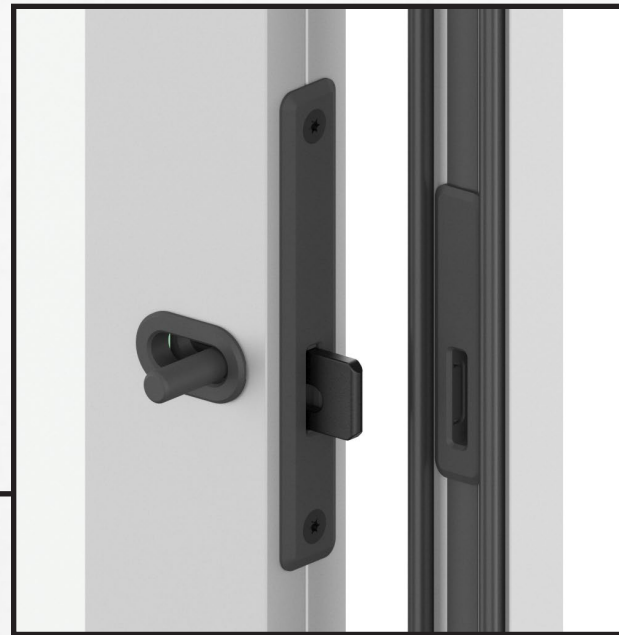
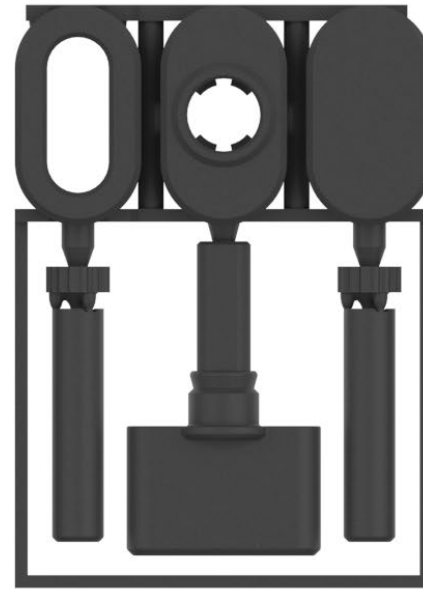


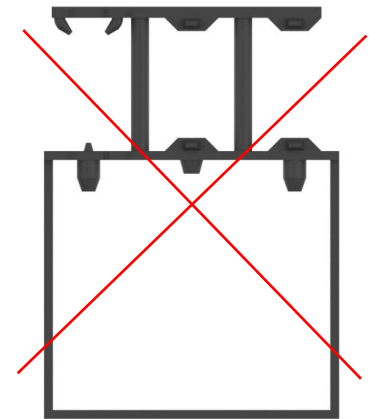
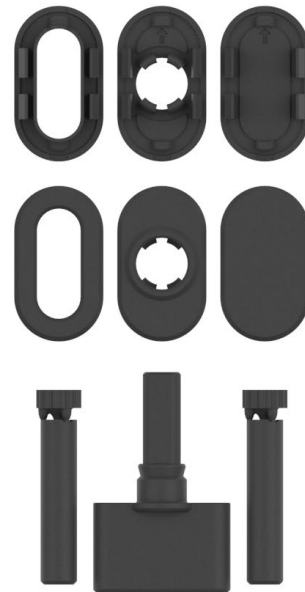
PAP LOCK ASSEMBLY & INSTALLATION



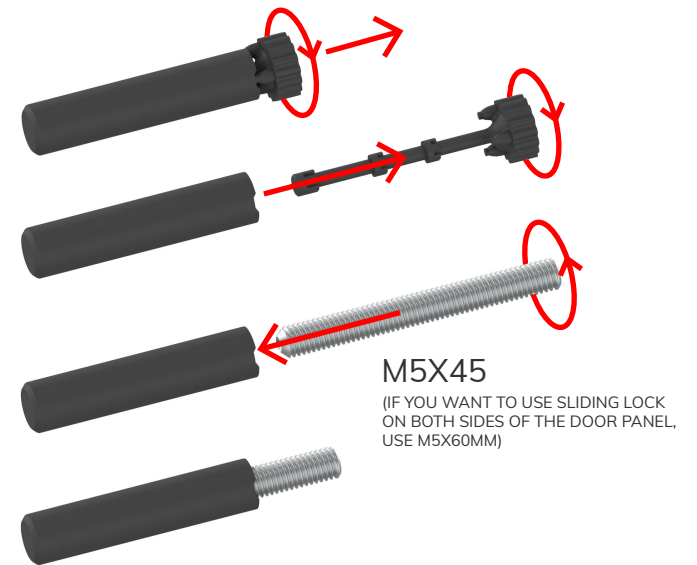
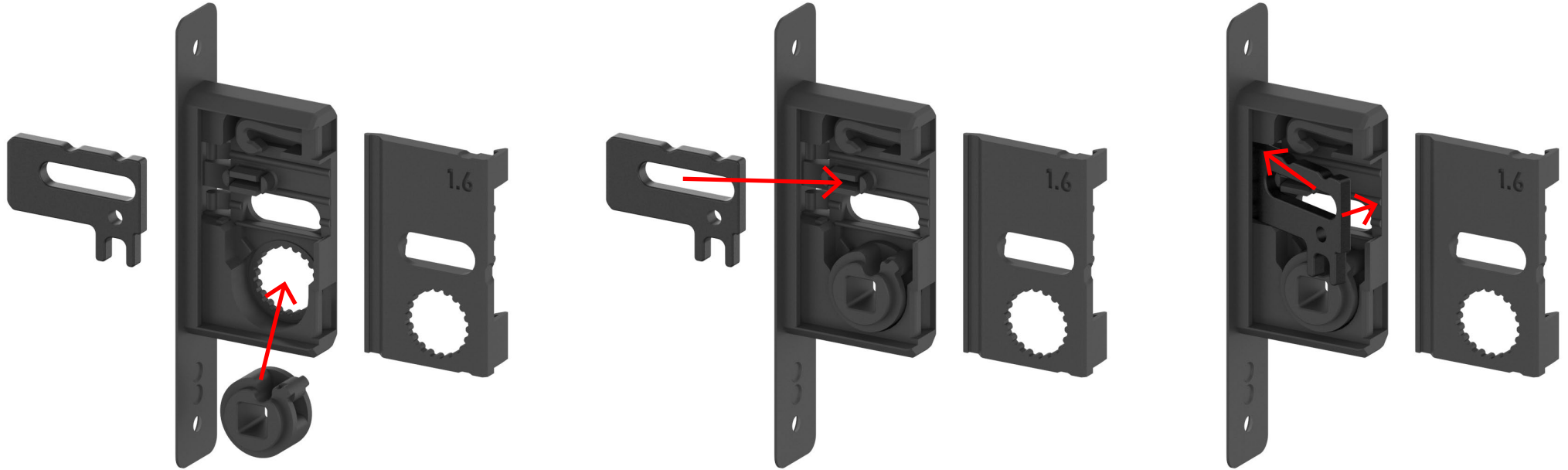
PAP LOCK PARTS



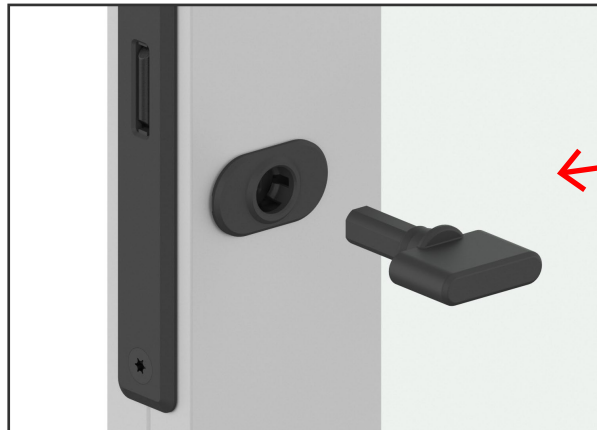
Detach all the plastic parts from each other.



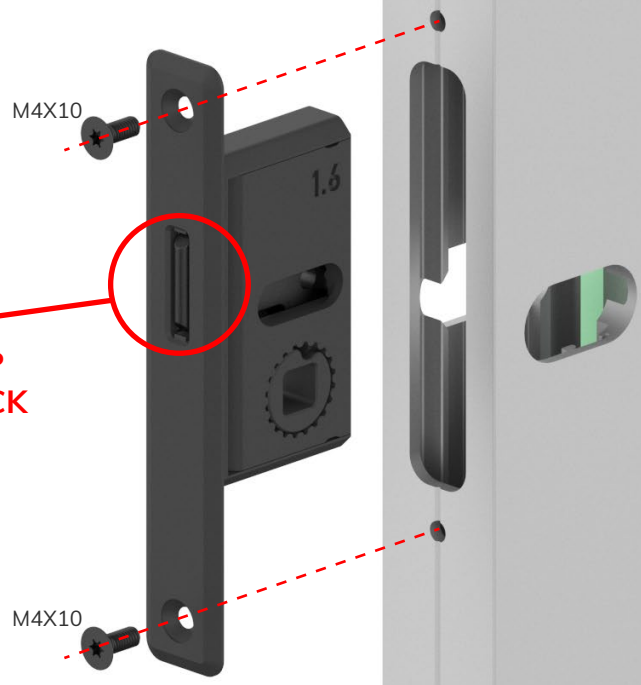
PAP LOCK ASSEMBLY



ROTARY LOCK INSTALLATION



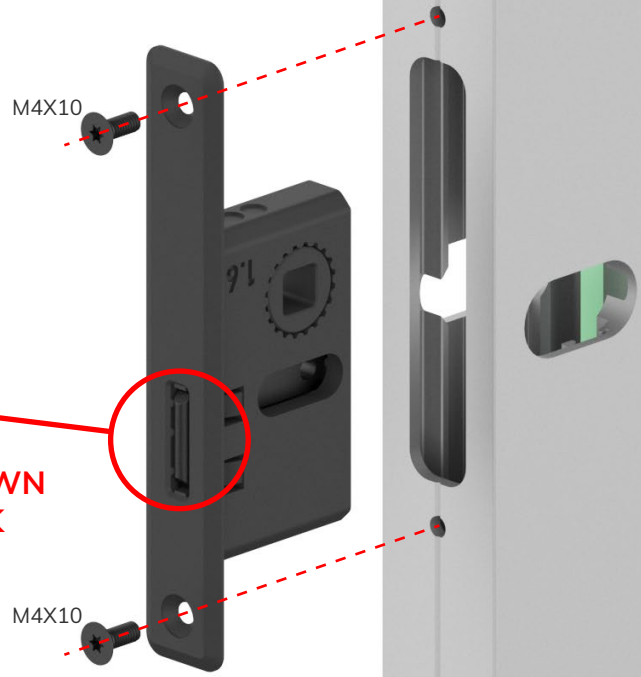
LOCK BOLT UP
= ROTARY LOCK



SLIDING LOCK INSTALLATION



LOCK BOLT DOWN
= SLIDING LOCK



LOCK COVER INSTALLATION



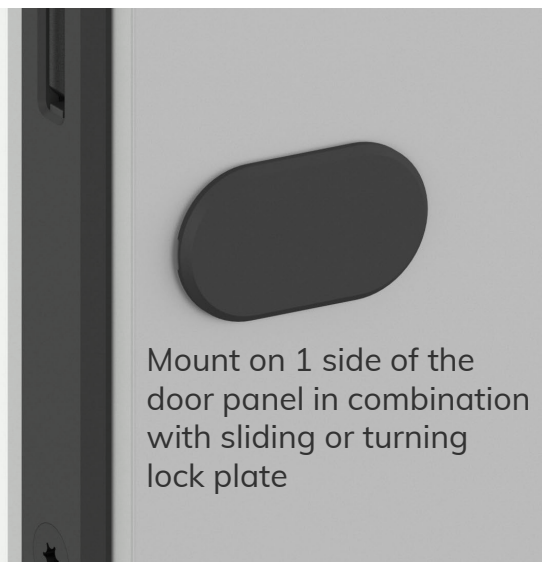
ROTARY LOCK PLATE



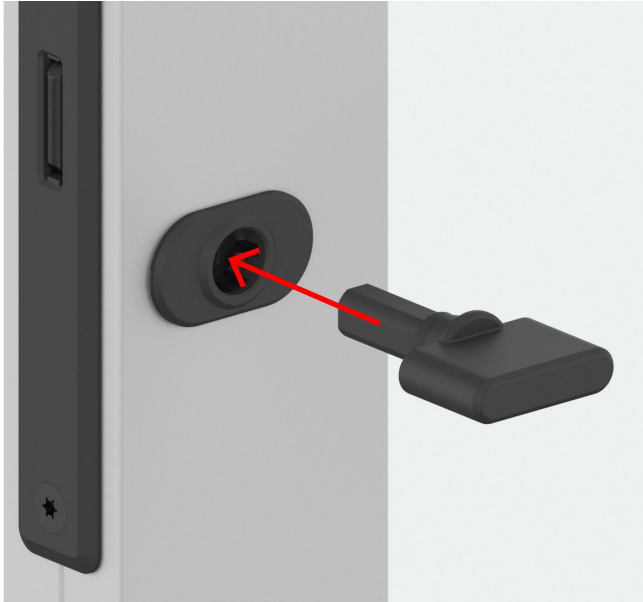
SLIDING LOCK PLATE



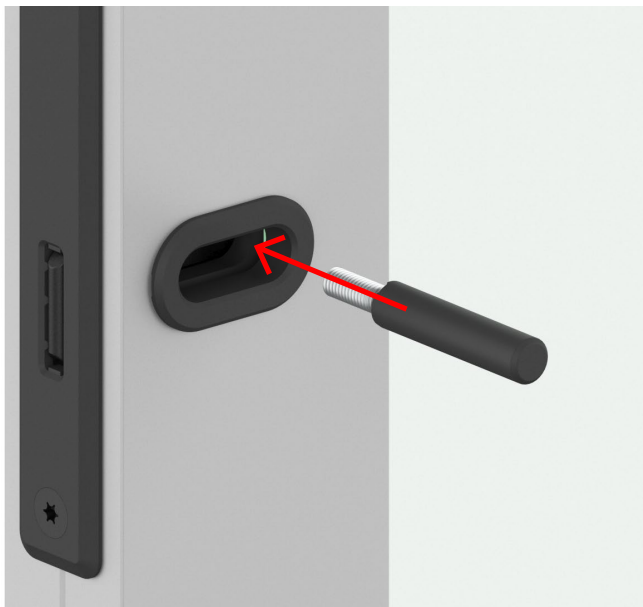
PRIVATE PLATE



ROTARY LOCK OPERATION



SLIDING LOCK OPERATION



DOOR JAMB LOCK BOLT RECEIVER

Install the door jamb rubbers
above and below the cutout



Click the lock bolt receiver in place





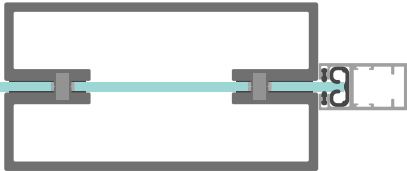

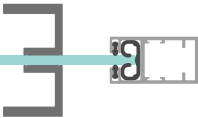



**OPENING UP
= ROTARY LOCK**



**OPENING DOWN
= TURNING LOCK**



LOCK & DOORHANDLE COMBINATIONS

		 5730 WITH LOCK	 5730 WITHOUT LOCK
	DG.08/11/12 HORIZONTAL ON GLASS	YES	YES
	DG.08/11/12 VERTICAL ON FRAME	NO	YES
	DG.10 500/750/1130/DOORHIGH ON GLASS	YES	YES
	DG.10 500/750/1130/DOORHIGH ON FRAME	NO	YES
	UGP 750/1130/DOORHIGH ON GLASS	YES	YES
	UGP 750/1130/DOORHIGH ON FRAME	NO	YES

For instructions on how to install
the fully assembled door in your doorway,
please refer to the DOOR INSTALLATION MANUAL