



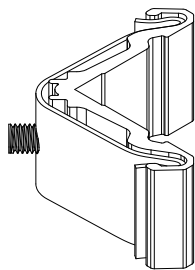
STEALTHPIVOT

By PortaPivot

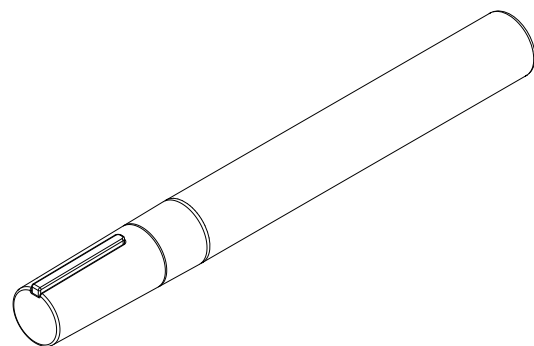
ASSEMBLY MANUAL
FIXED PARTITION 5730



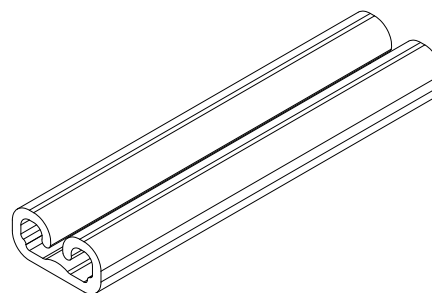
PORTAPIVOT FIXED 5730 PARTS



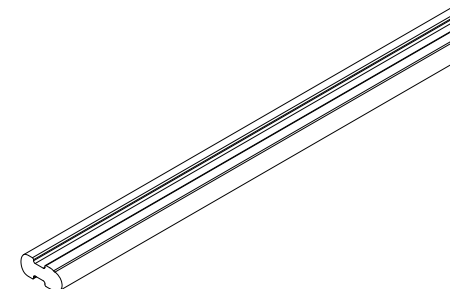
PAP-MCDBLK25x11x24,5



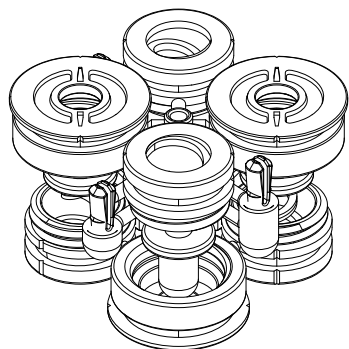
SAW CUT MARKER



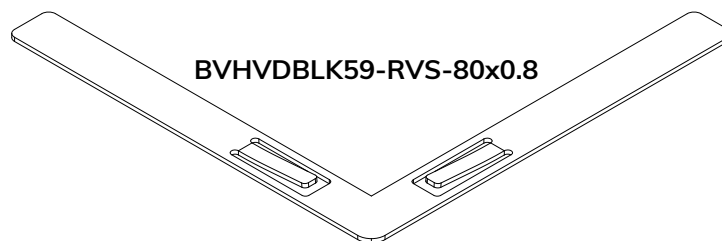
PAP-GLBR6-8



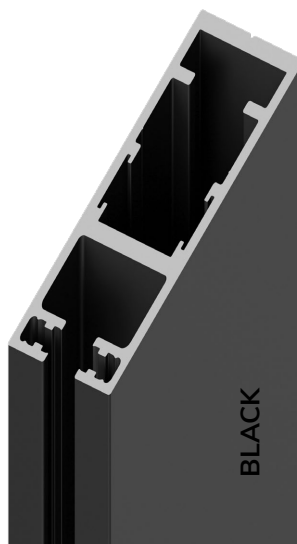
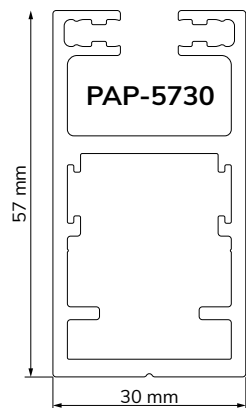
GLR68



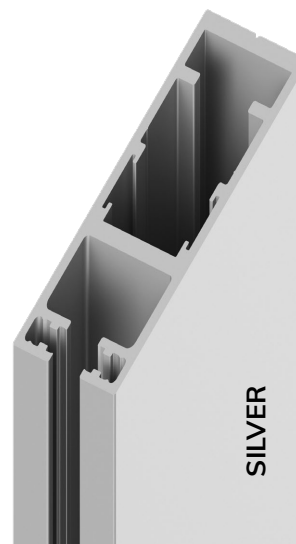
PAP-VWGKVD



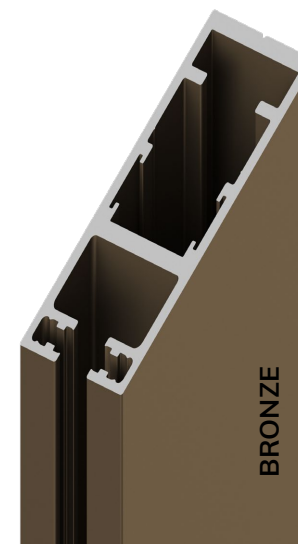
BVHVDBLK59-RVS-80x0.8



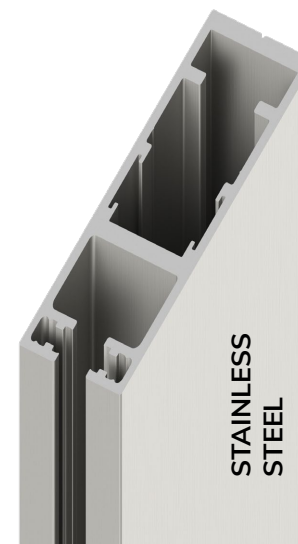
BLACK



SILVER



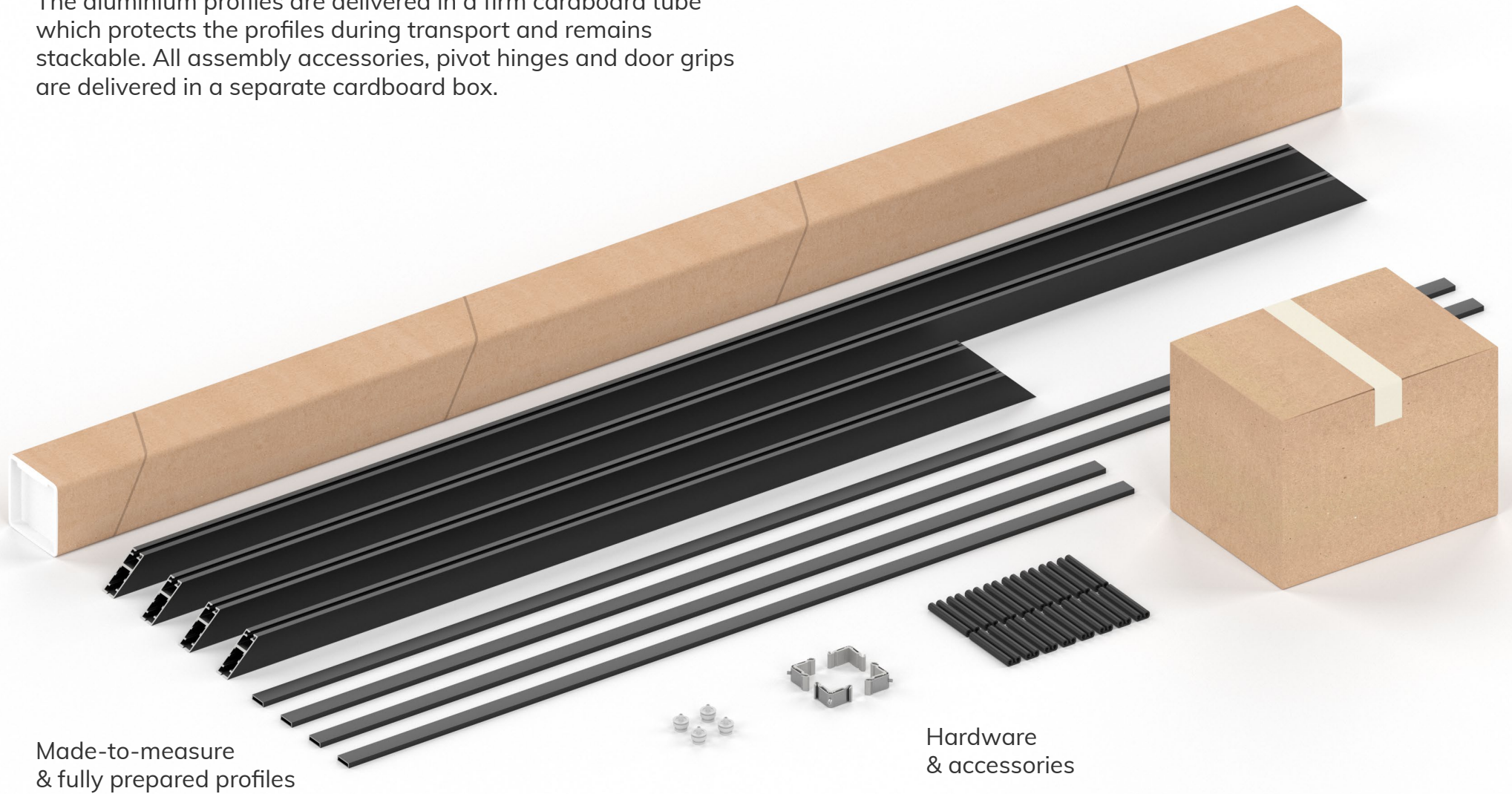
BRONZE



STAINLESS
STEEL

PORTAPIVOT 5730 EXAMPLE KIT OVERVIEW

The aluminium profiles are delivered in a firm cardboard tube which protects the profiles during transport and remains stackable. All assembly accessories, pivot hinges and door grips are delivered in a separate cardboard box.



Made-to-measure
& fully prepared profiles

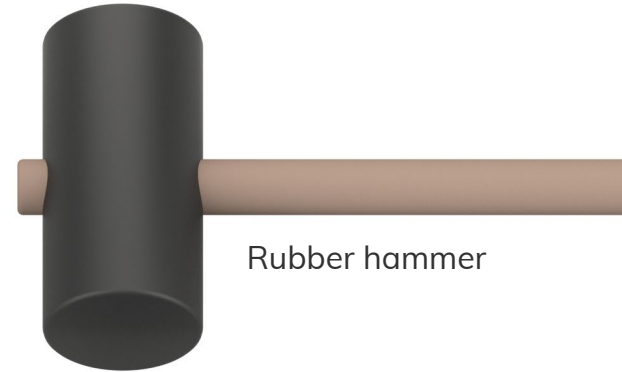
Hardware
& accessories

LOCALLY SOURCED MATERIALS

- ▶ Glass* (6 or 8 mm tempered glass)
- ▶ Silicone spray
- ▶ Isopropyl alcohol (cleaning alcohol)
- ▶ Acetone

* Portapivot recommends using 6 mm thick tempered glass for weight advantages during manipulation and installation on site

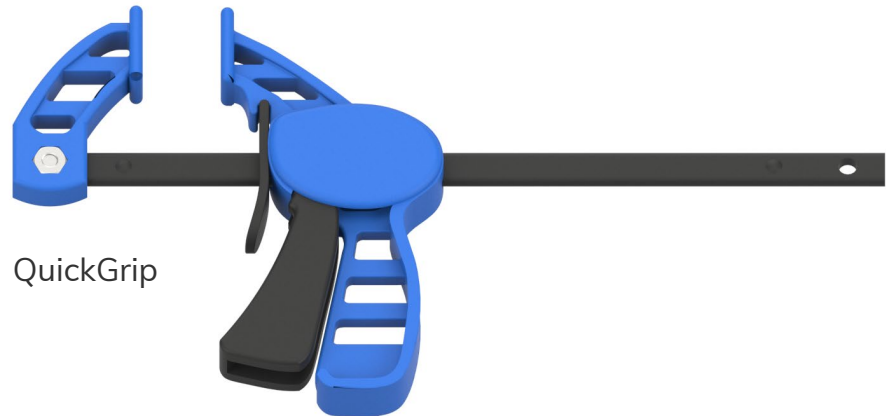
RECOMMENDED TOOLS



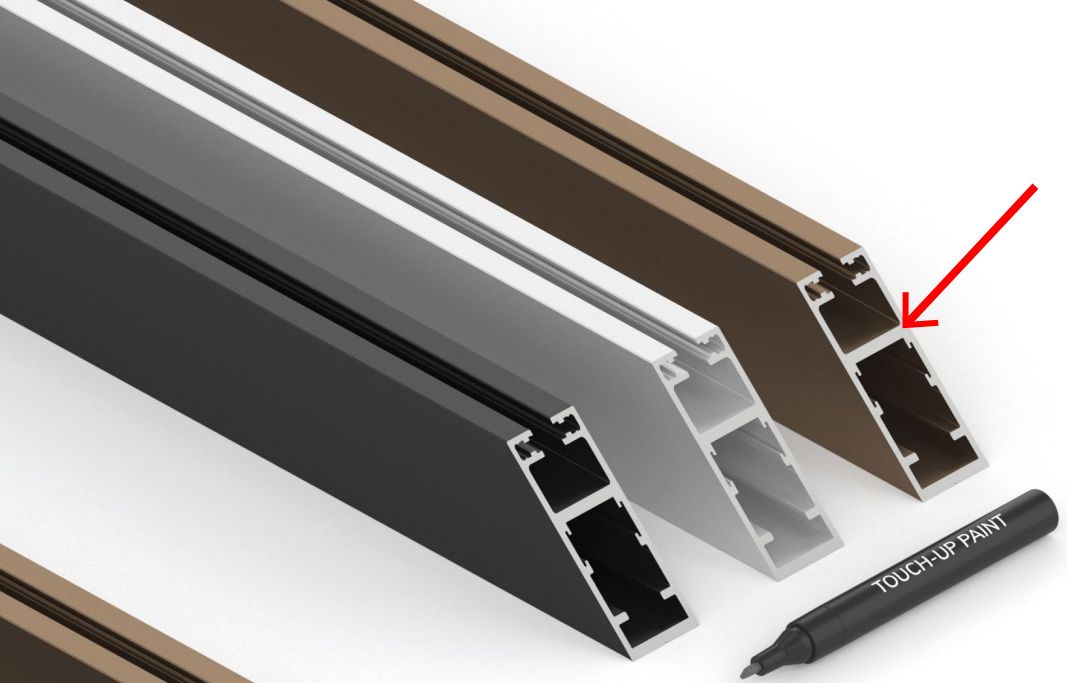
Rubber hammer



Bit screwdriver



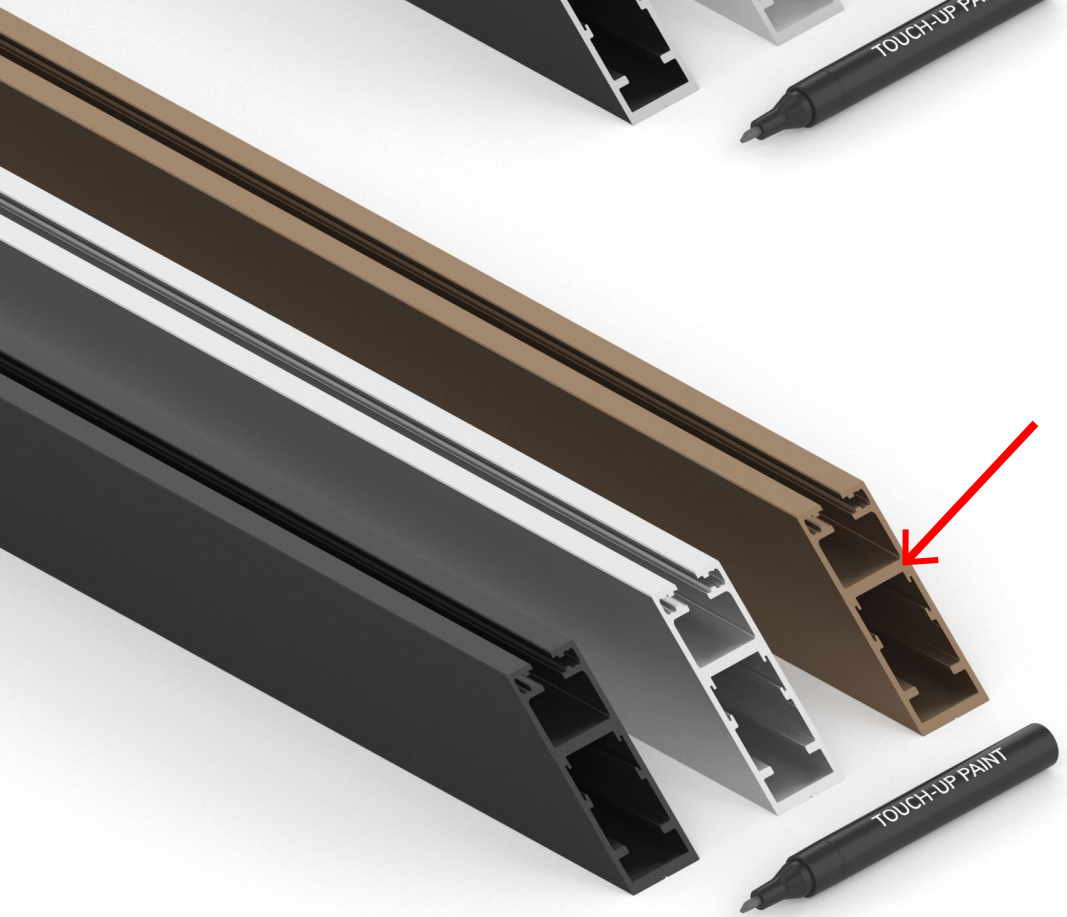
QuickGrip



COLOR SAW CUTS

Degrease* the saw cuts and use the supplied marker to paint the cuts.

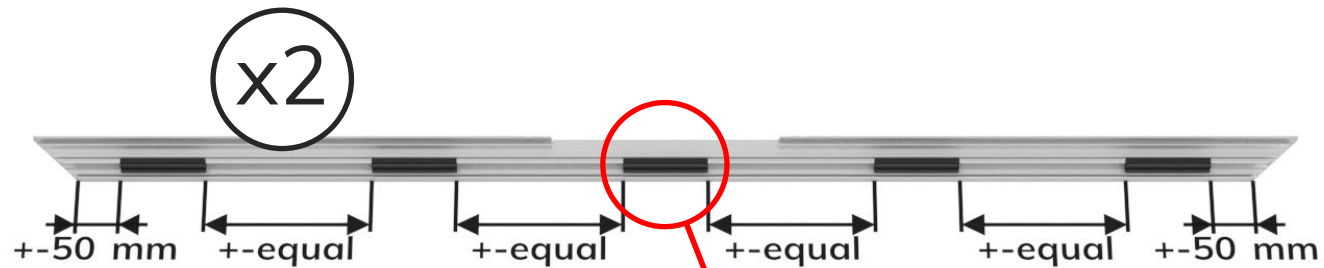
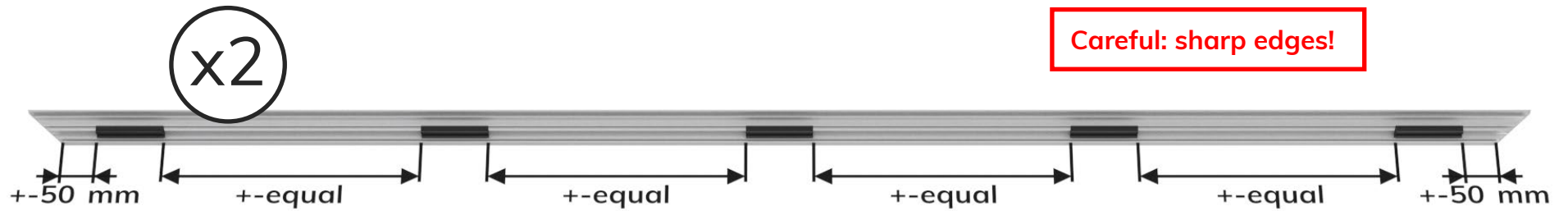
*Isopropyl alcohol



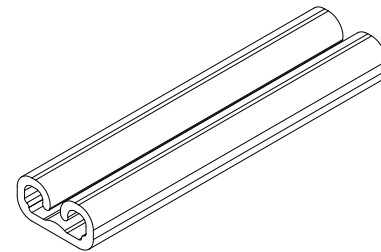
Remove excessive paint from
visual sides with acetone or alike

INSERT EPDM INSERTS

Slide in 5 EPDM inserts (GLBR6-8) into every profile, and distribute them evenly.



Always position 1 insert above pivot axis

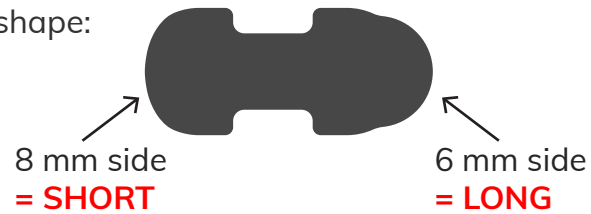


PAP-GLBR6-8

INSERT GLR68 RUBBER EXTRUSIONS

The GLR68 rubber can be used for 6 or 8 mm glass because of its excentric profile shape. See visual for correct mounting positions.

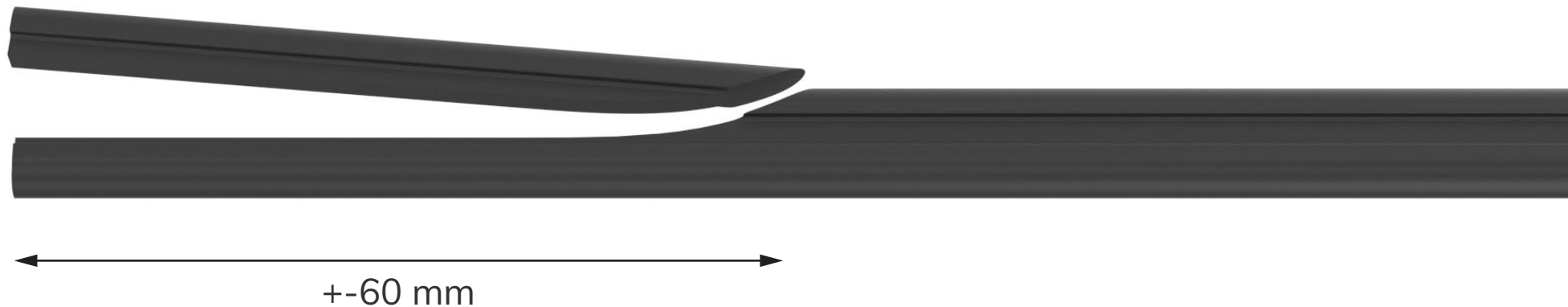
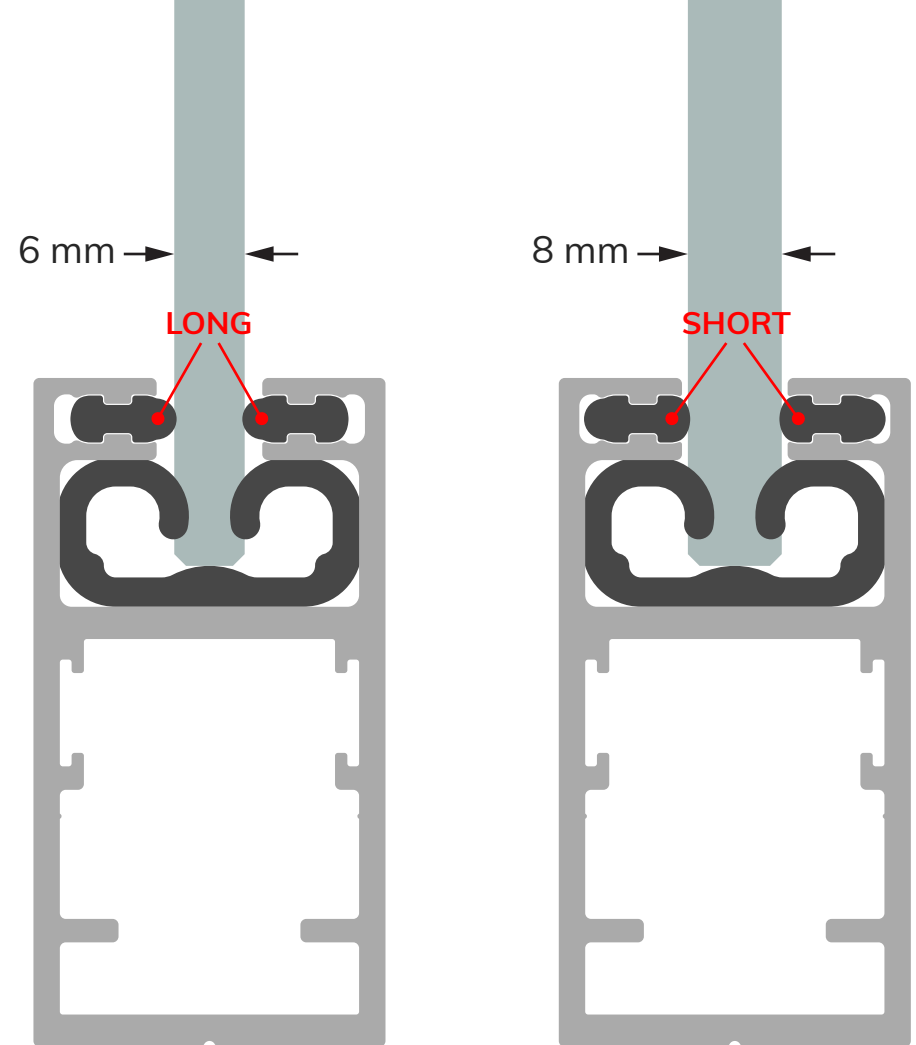
GLR68 profile shape:

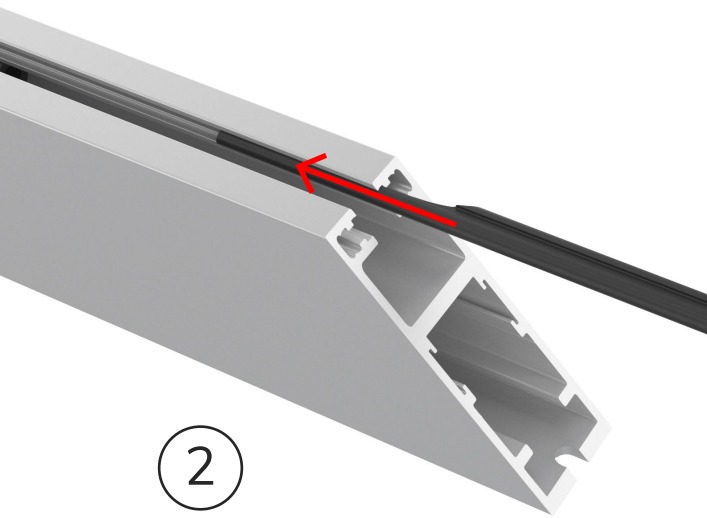


Rubber GLR68 patent pending

1

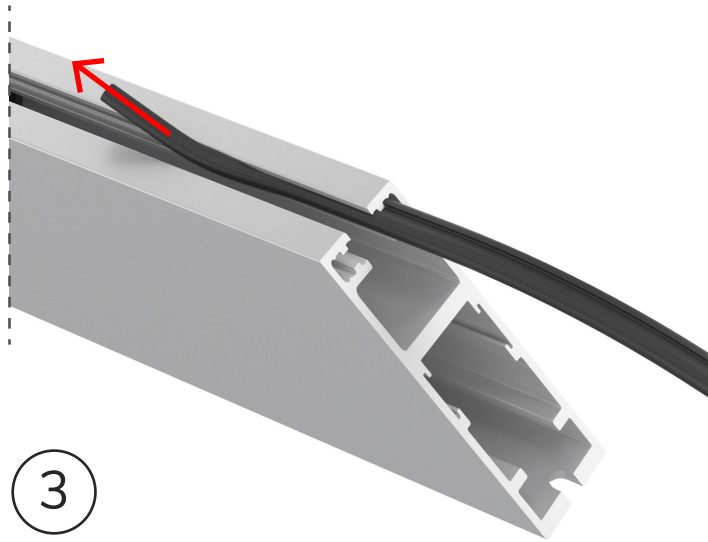
- Cut off a strip from the start of the GLR68.
- For 6 mm glass, cut off the **SHORT** side.
 - For 8 mm glass, cut off the **LONG** side.





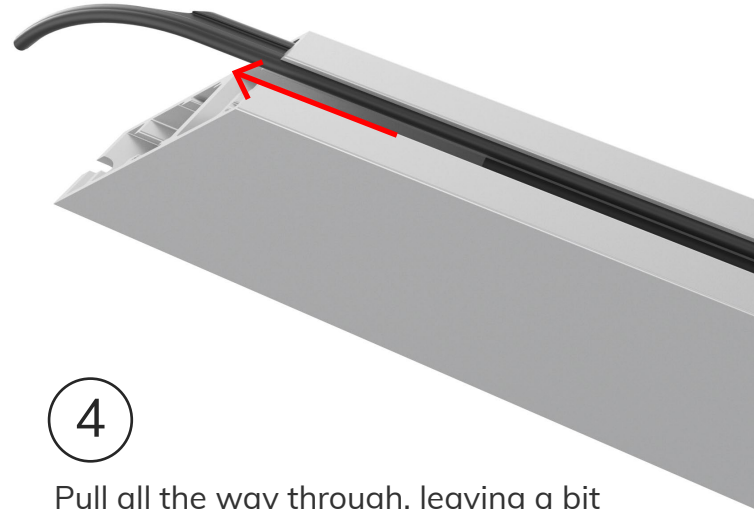
2

Guide the GLR68 through the canal, with the thin side towards the center of the profile.



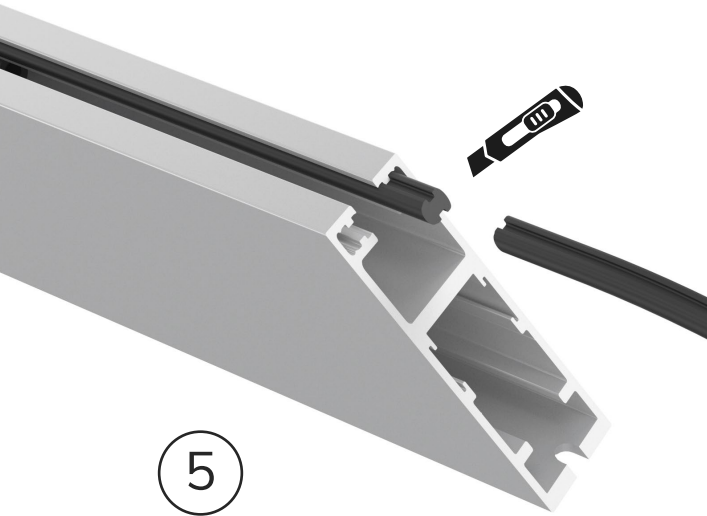
3

Pull the thin side out, and use this to pull the GLR68 through the aluminium profile.



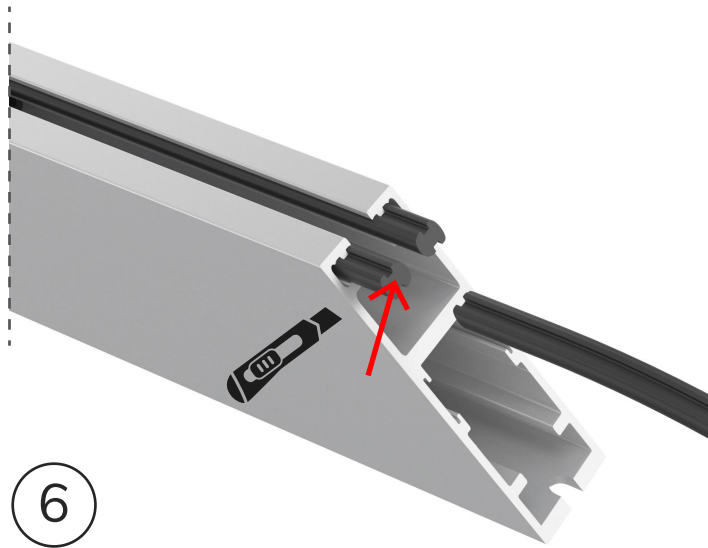
4

Pull all the way through, leaving a bit extra hanging out.



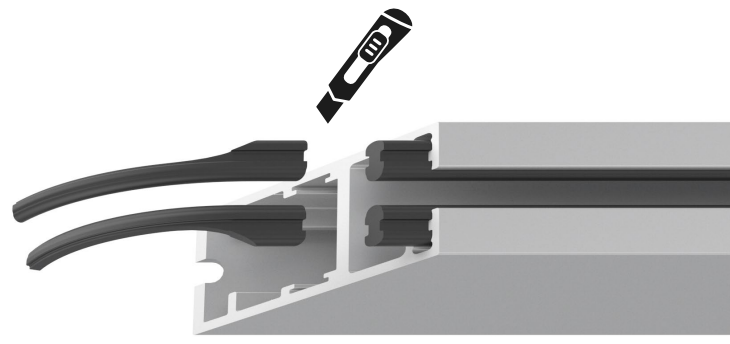
5

Cut this end at a 45° angle.



6

Repeat steps 1-5 for the second GLR68

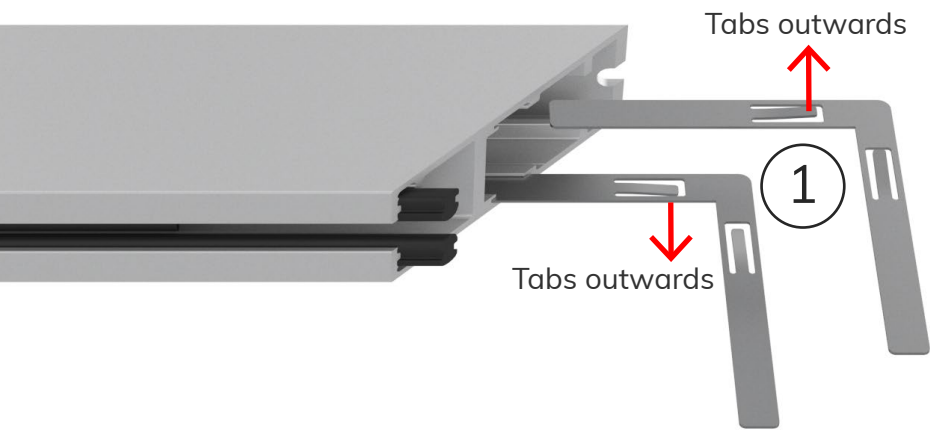


7

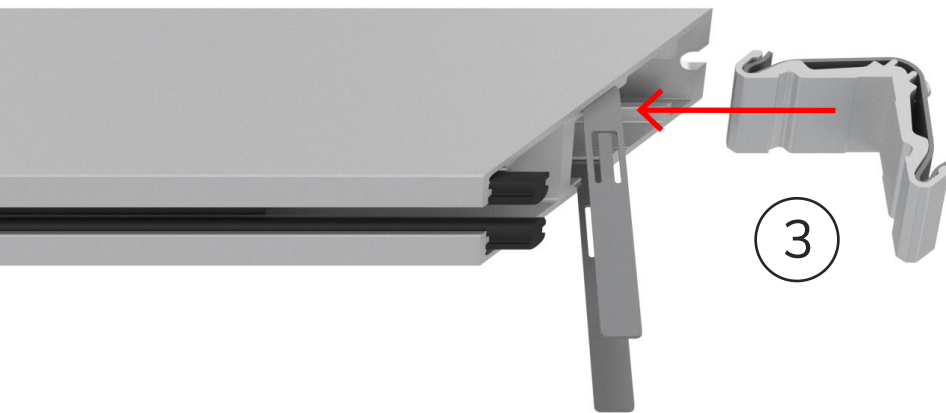
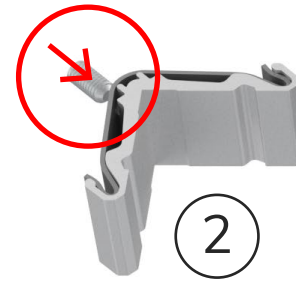
Cut off both remaining ends at the other side.

Apply steps 1-7 to each profile

PREPARE TOP AND BOTTOM PROFILES

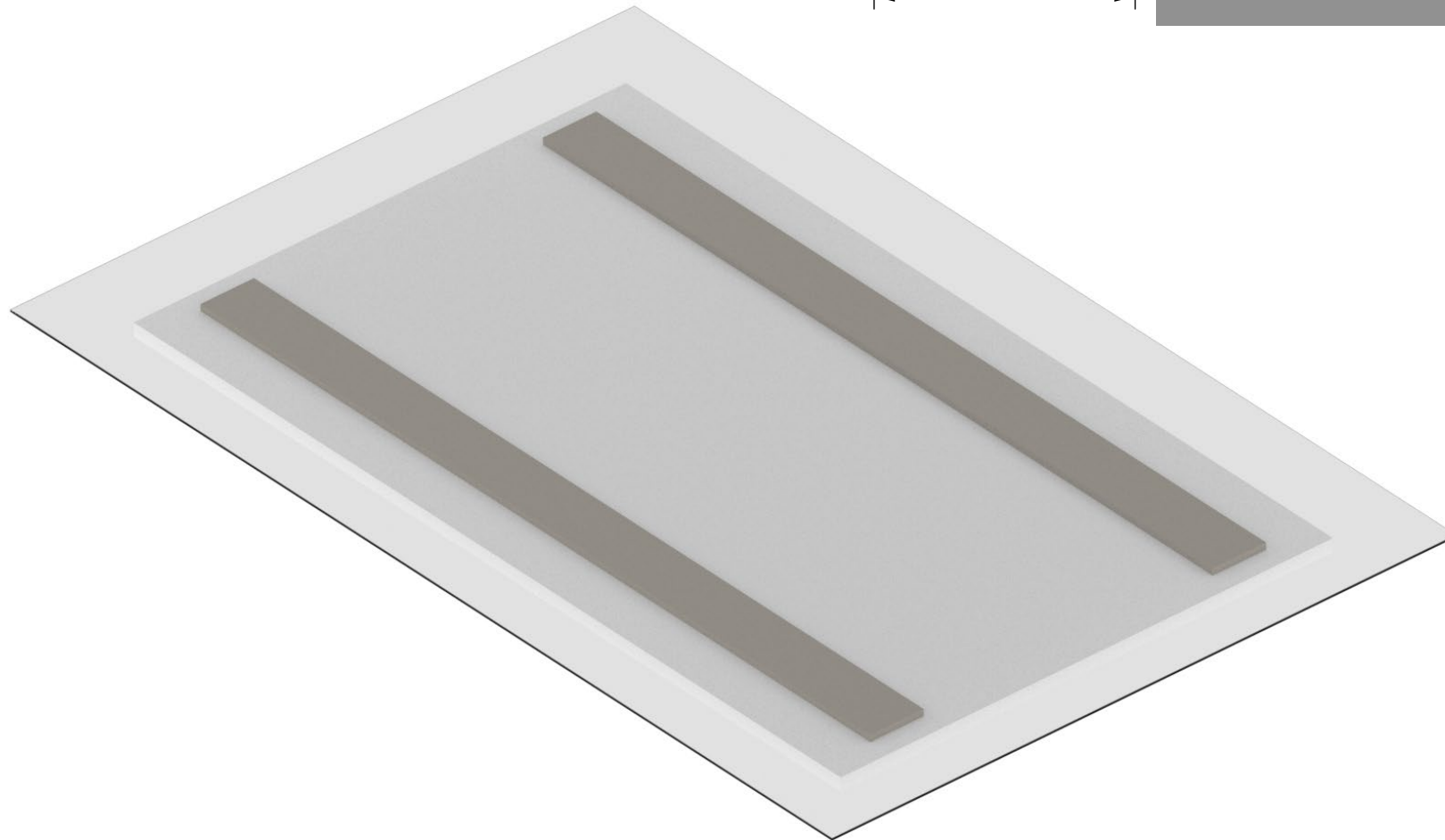
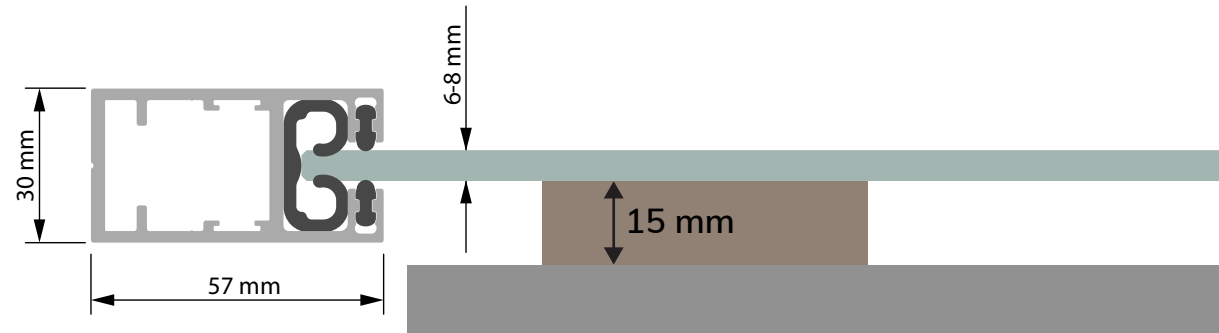


DON'T TIGHTEN!



PLACE GLASS PANEL

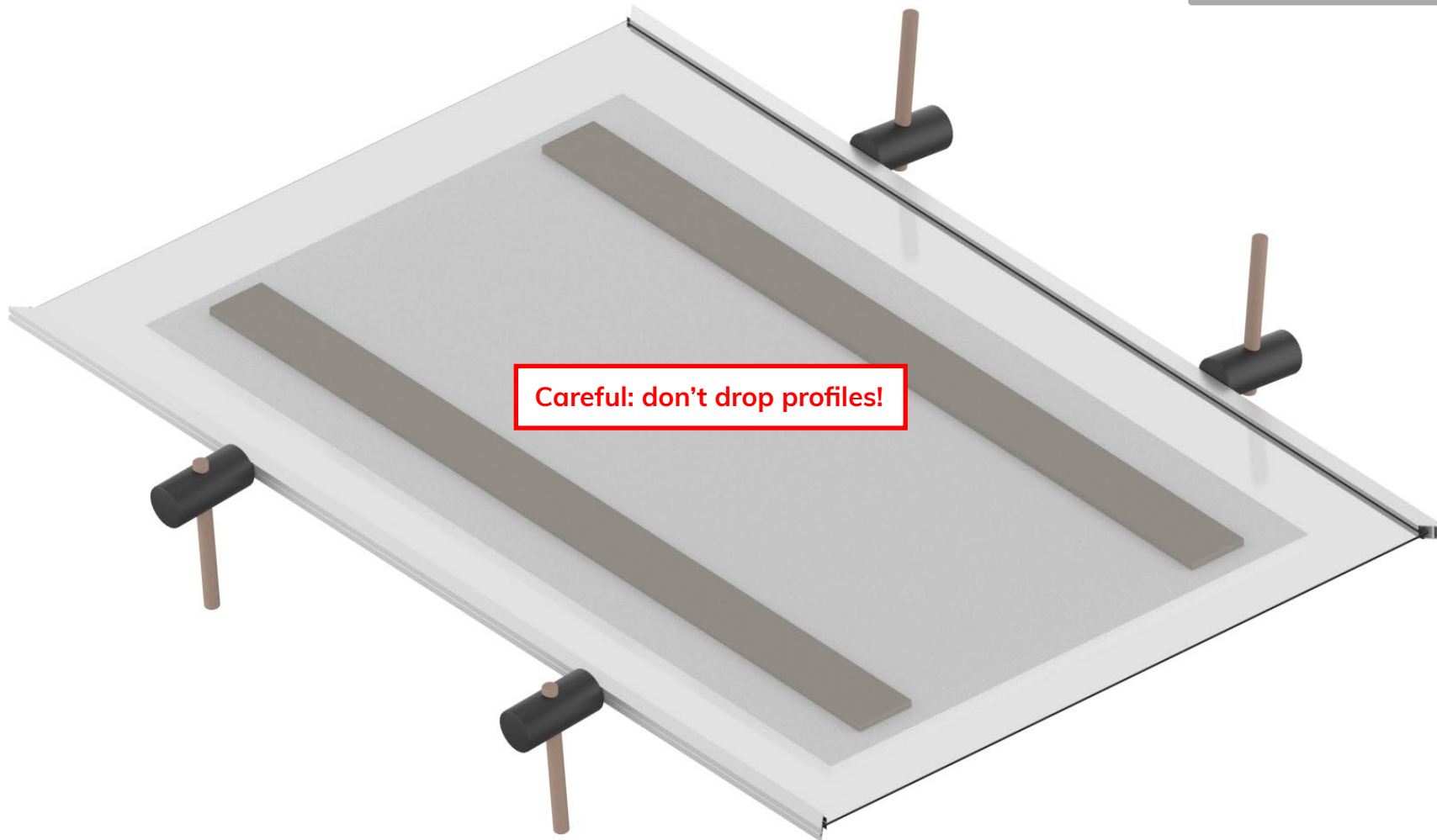
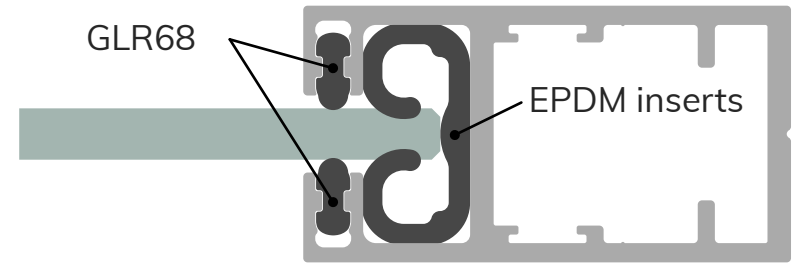
Use 2 wooden spacers (+-15 mm thick) on an assembly table and place the locally purchased panel on top.

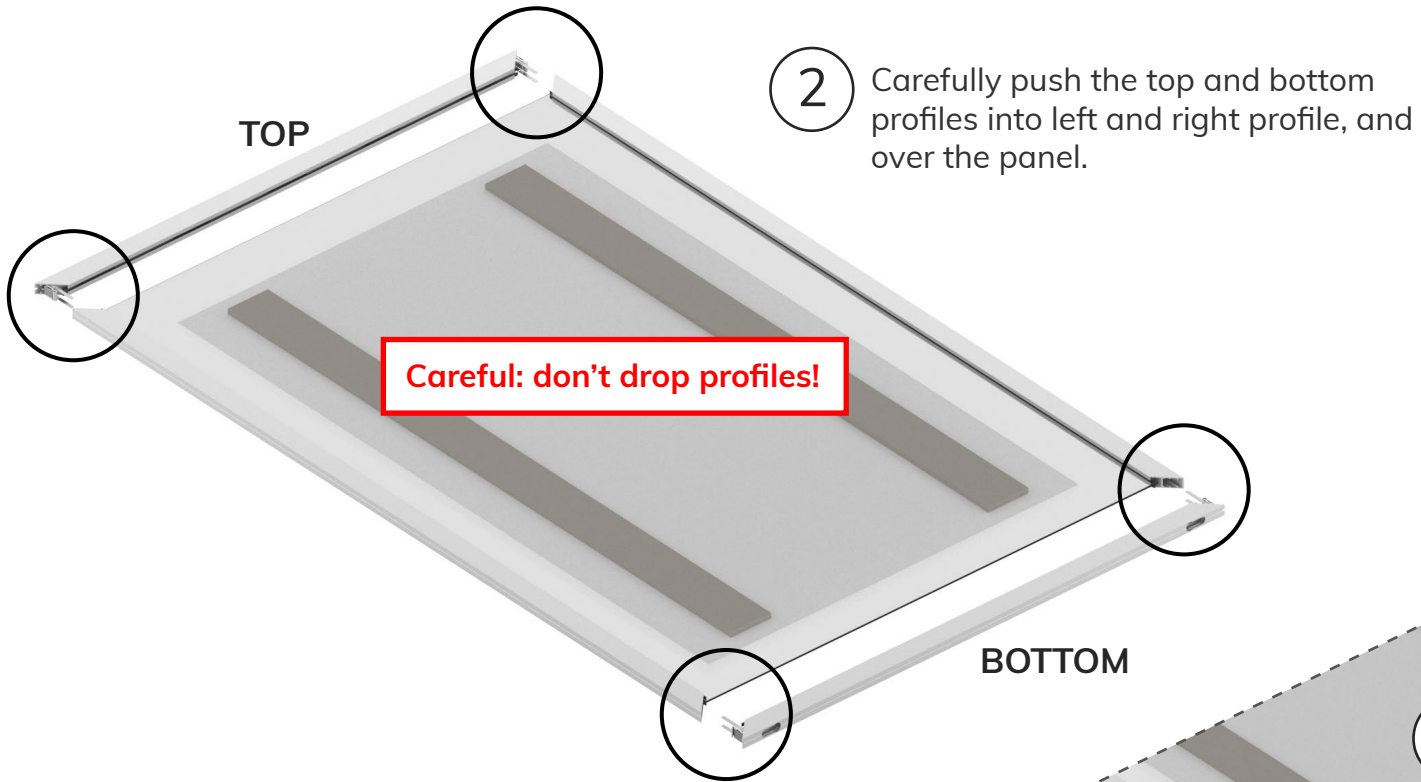


MOUNT PROFILES ON GLASS

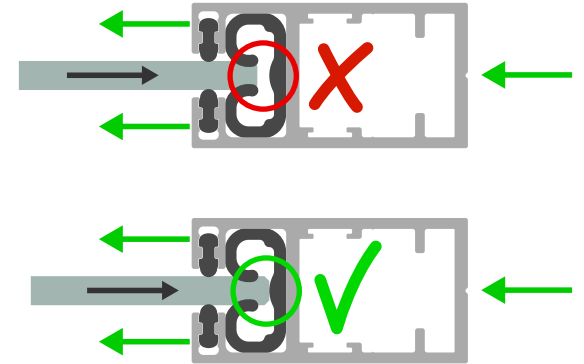
- 1 Push the left and right profiles with their EPDM inserts and GLR68 over the panel, matching the center of the profiles with the center of the glass.

Use a rubber hammer to facilitate positioning.

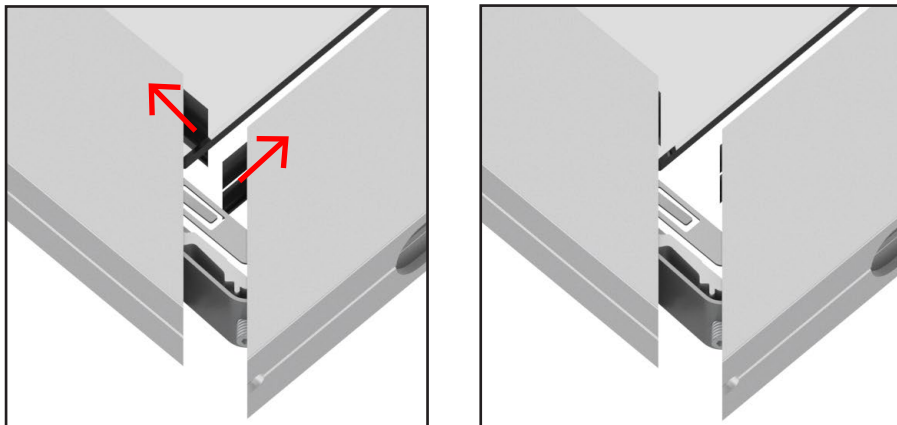




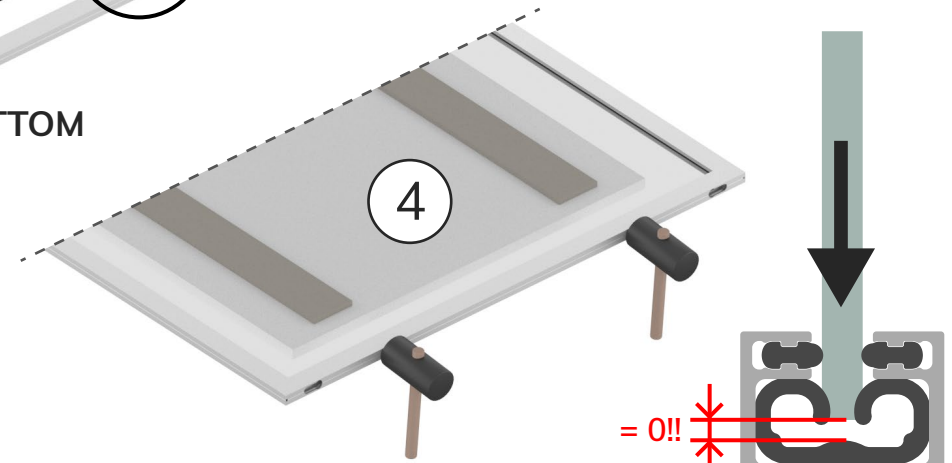
Carefully push the top and bottom profiles into left and right profile, and over the panel.



3 Push in any excess GLR68 into the profiles during mounting.

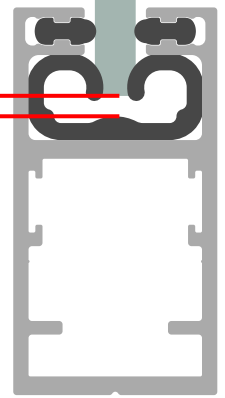


BOTTOM



Use a rubber hammer to position the bottom profile with the EPDM inserts against the panel.

If NOT positioned correctly, the panel will slide down when the fully assembled door is put upright!!

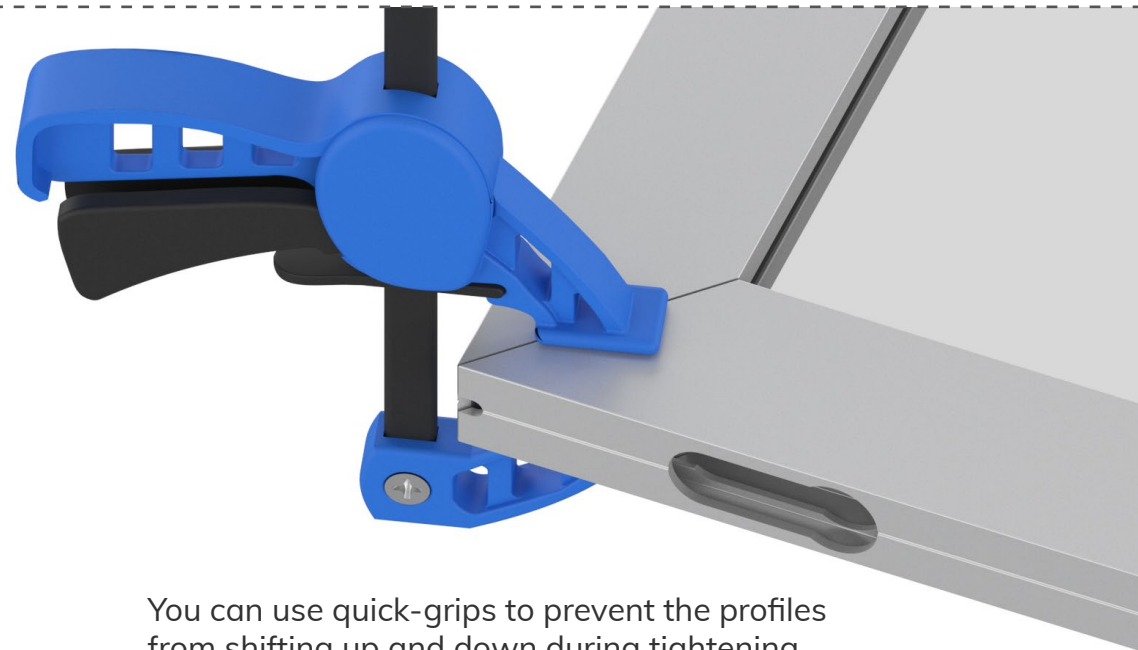
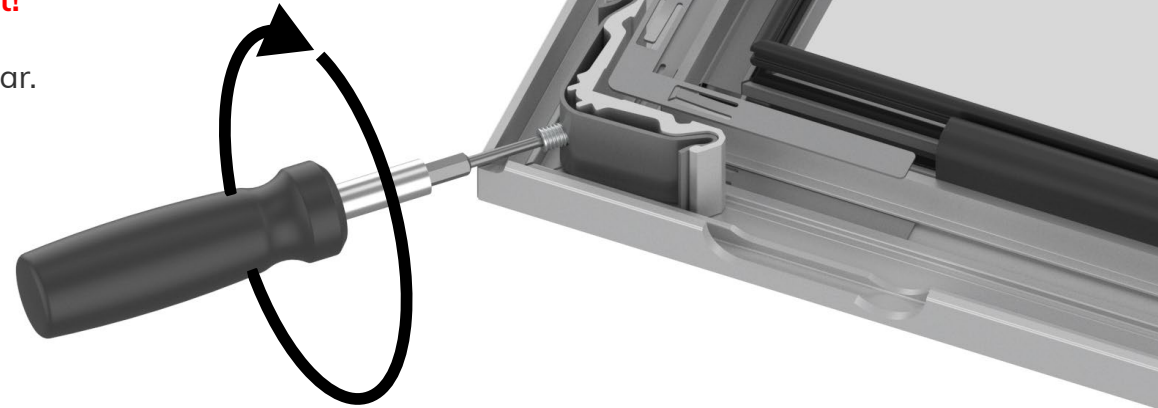
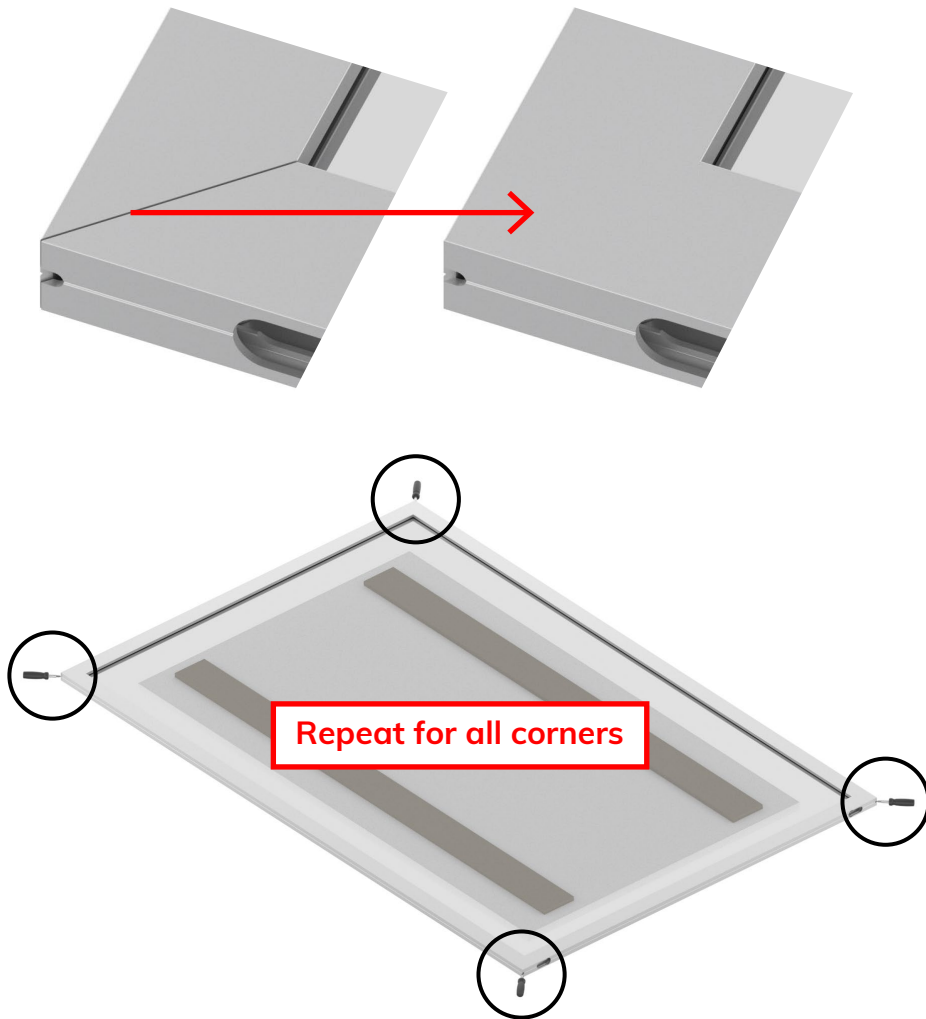


BOTTOM

SECURE CORNER JOINTS

Align the profiles as best as possible, and carefully tighten the inbus screw **BY HAND!** **Over-tightening will damage the corner joint!**

During tightening, the space between the profiles will disappear.



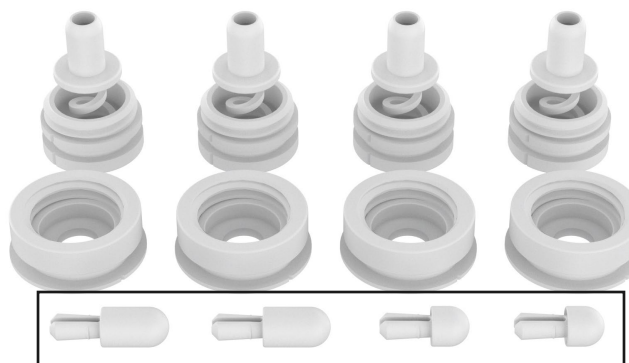
You can use quick-grips to prevent the profiles from shifting up and down during tightening.

PREPARE POSITIONING CAPS

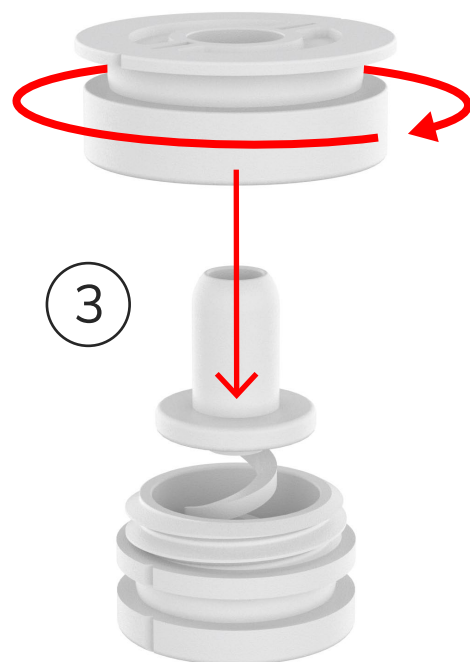
1



2



Optional if longer pin is required

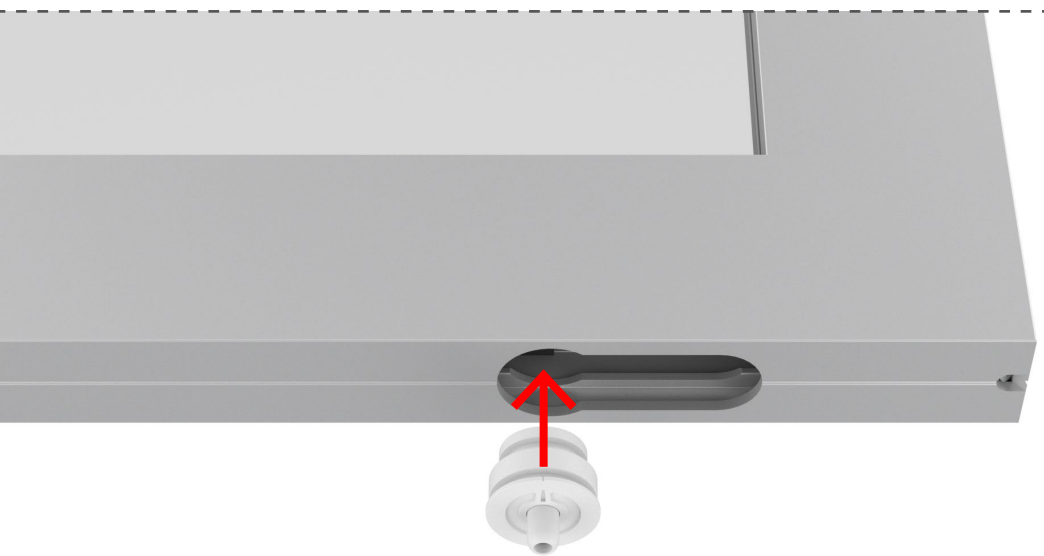


3

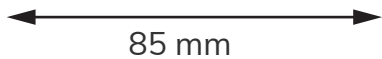
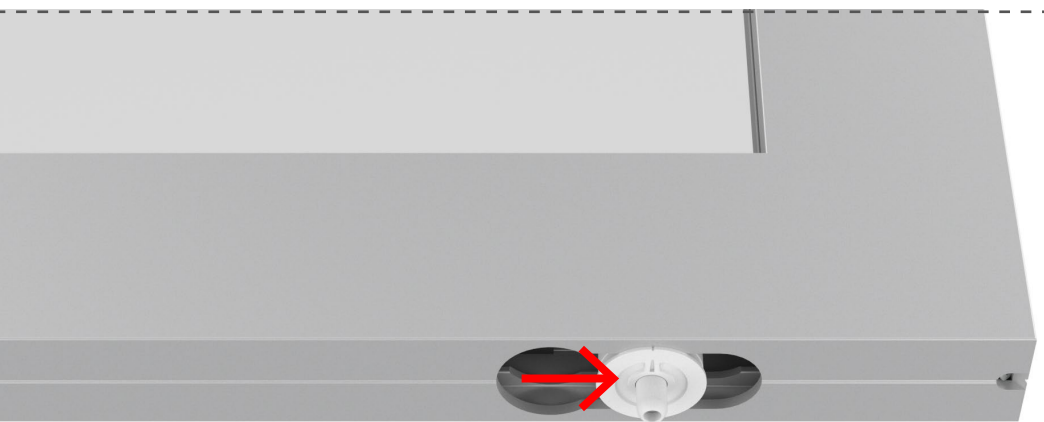
4



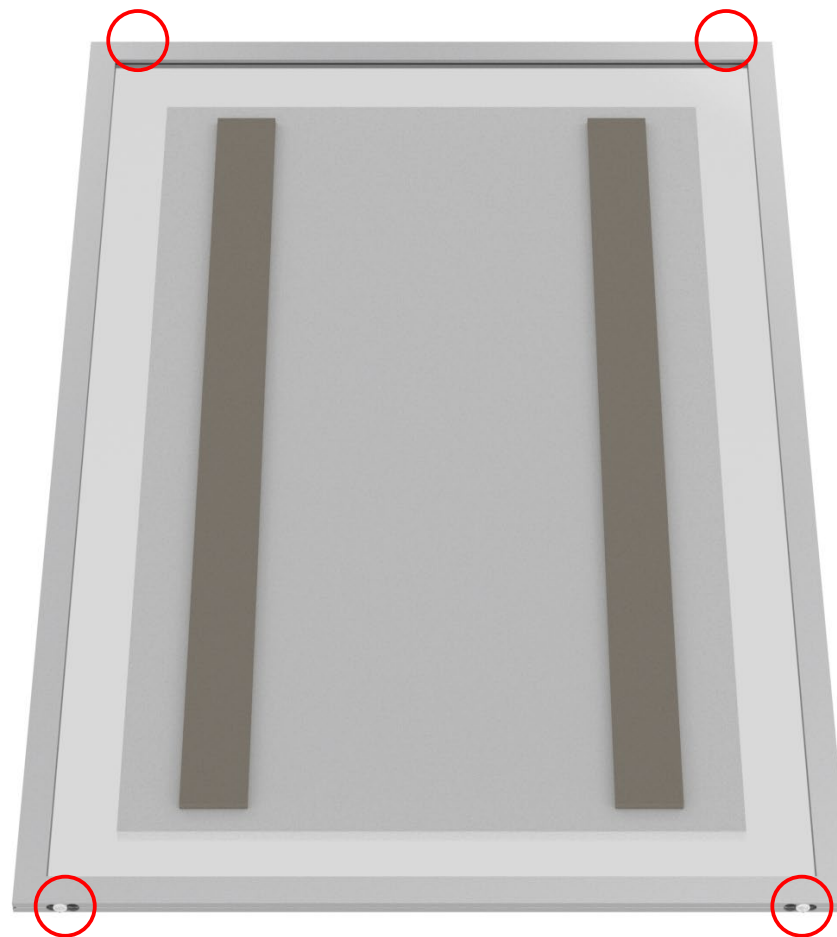
INSERT POSITIONING CAPS



Slide a positioning cap in each side of the top and bottom profiles.



Position it 85 mm from the panels edge



For further instructions on how to install
the fully assembled PAP-5730,
please refer to the
“PAP-FIXED-PARTITIONS-installation-3530-5730” manual