

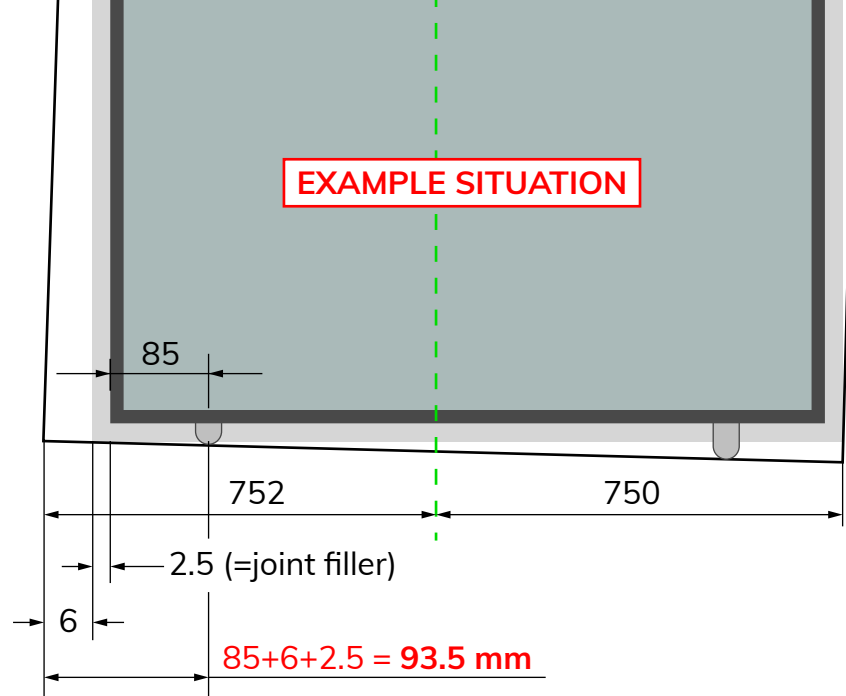


STEALTHPIVOT

By PortaPivot

INSTALLATION MANUAL FIXED PARTITION MINIMAX (2038)

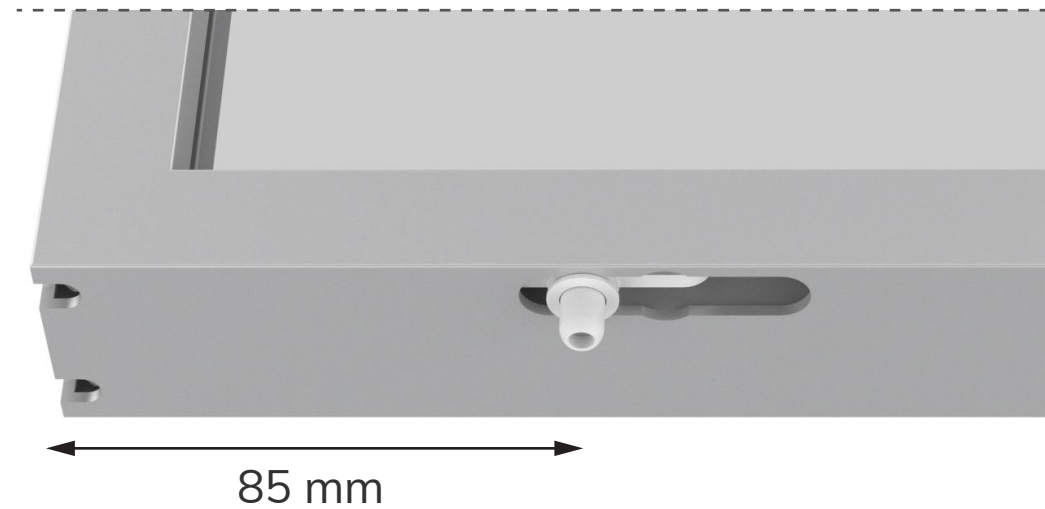




DEFINE AND DRILL POSITIONING HOLES

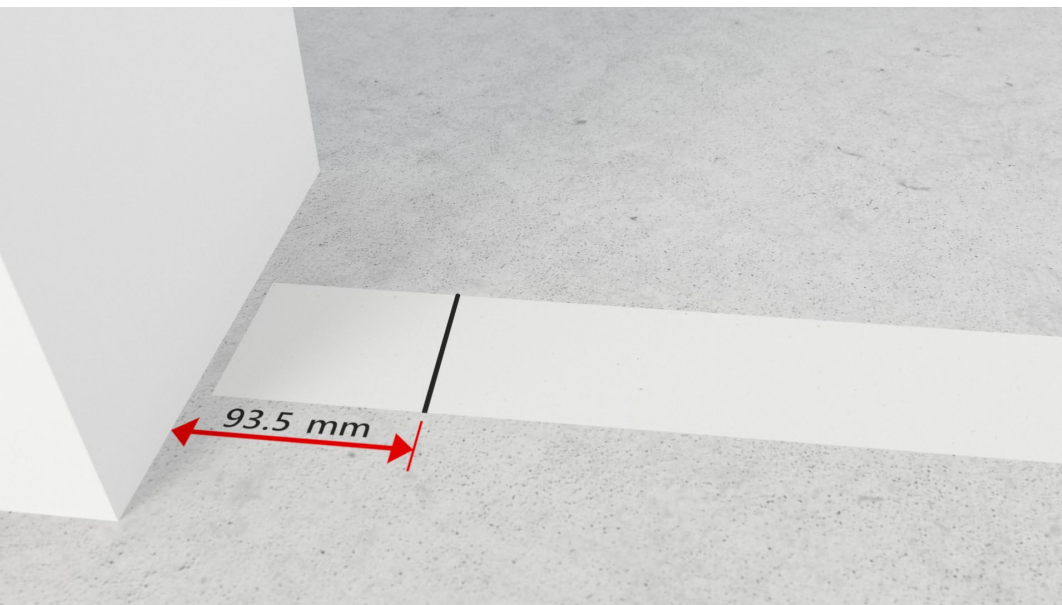
Check doorway measurements and advised joint dimensions to calculate the location of the positioning caps relative to the wall.

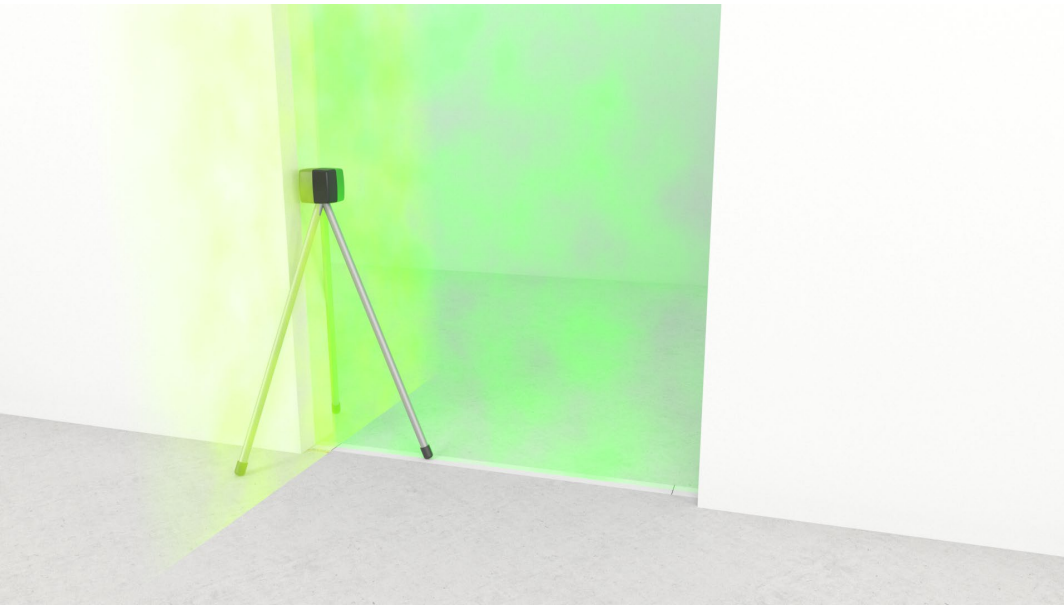
Position the caps always 85 mm from the panels edge



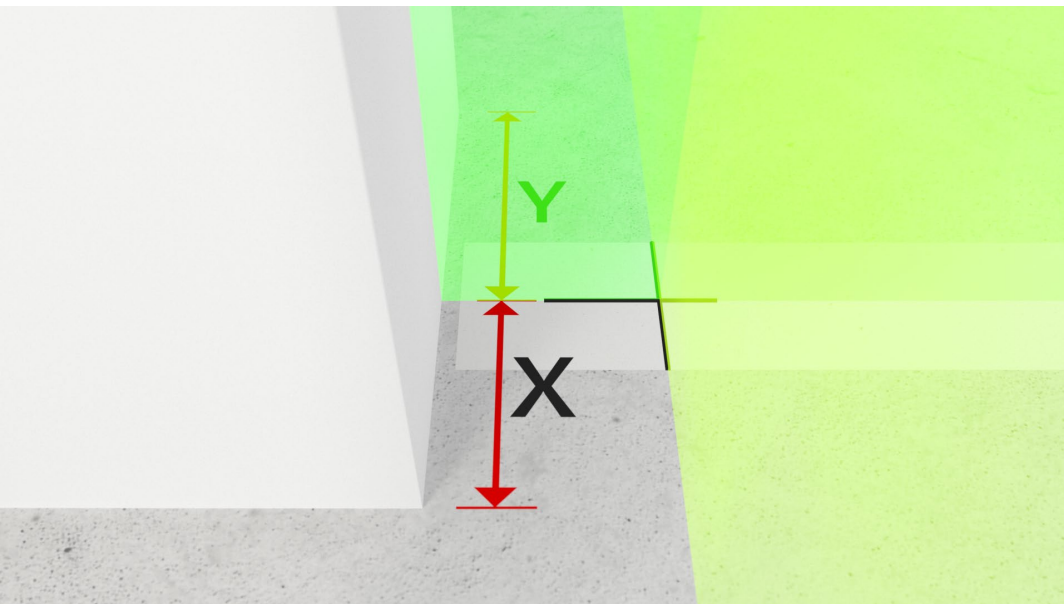
Apply masking tape on the floor.

Measure and mark the calculated location of the positioning cap onto the masking tape.



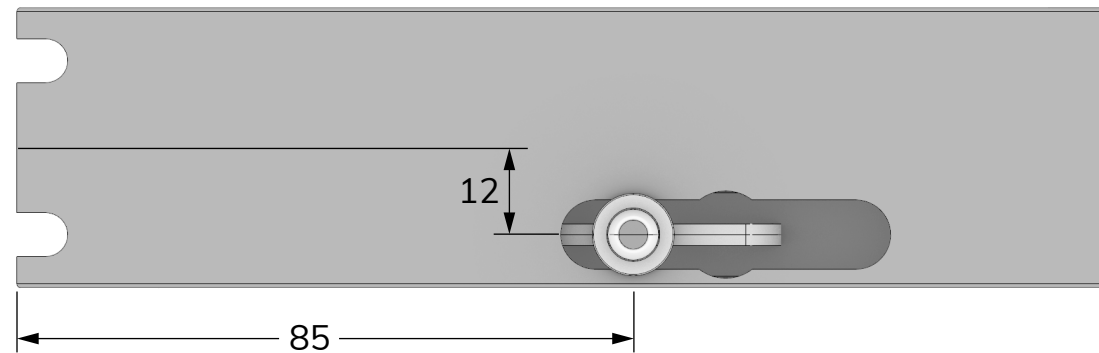


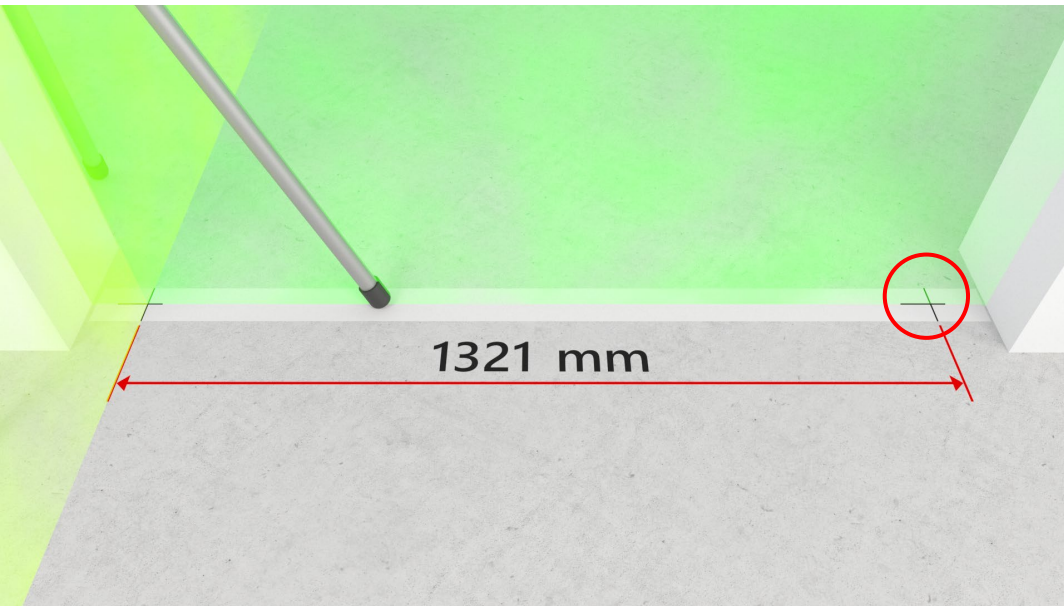
Place the laser in the doorway and move it exactly on top of the marker.



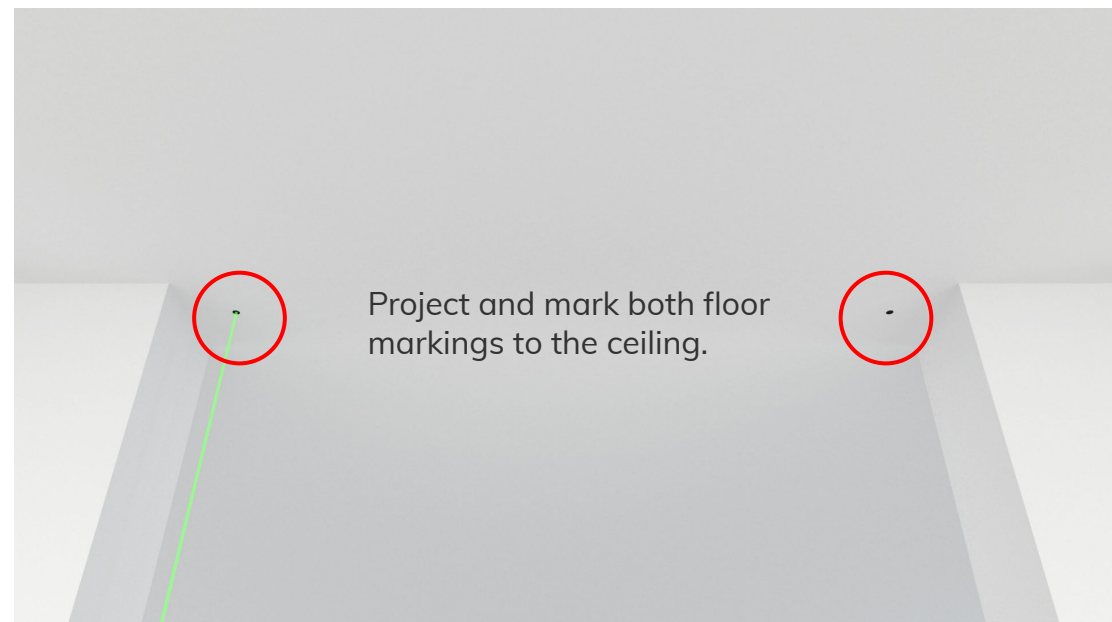
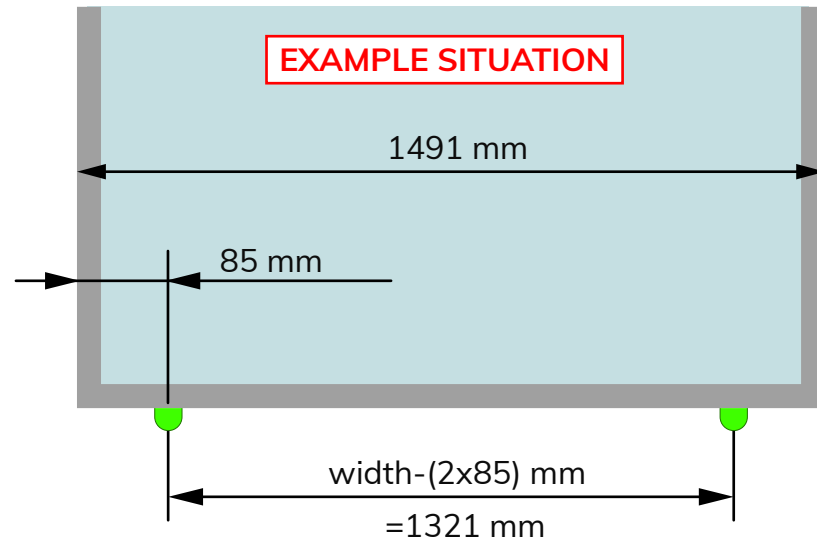
Position the other laser plane exactly 12 mm off the desired panel center location.
In this example, $X=Y-24$ to put the panel in the middle of the wall opening.

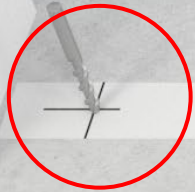
Mark this line onto the masking tape.





Measure and mark the second positioning hole.

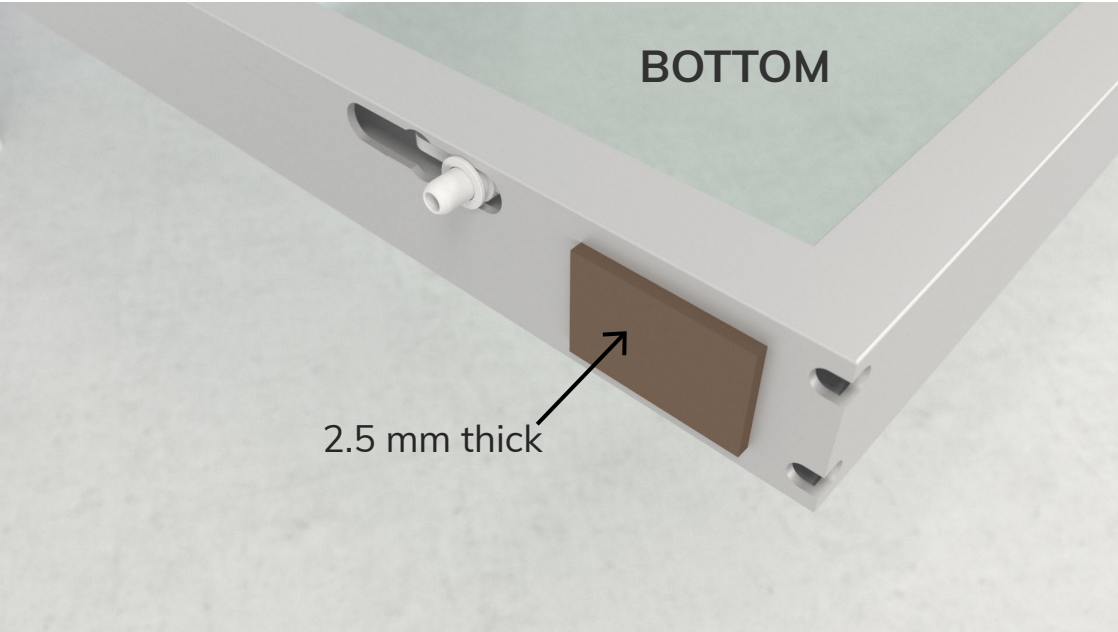




Ø 8 mm
12 mm deep

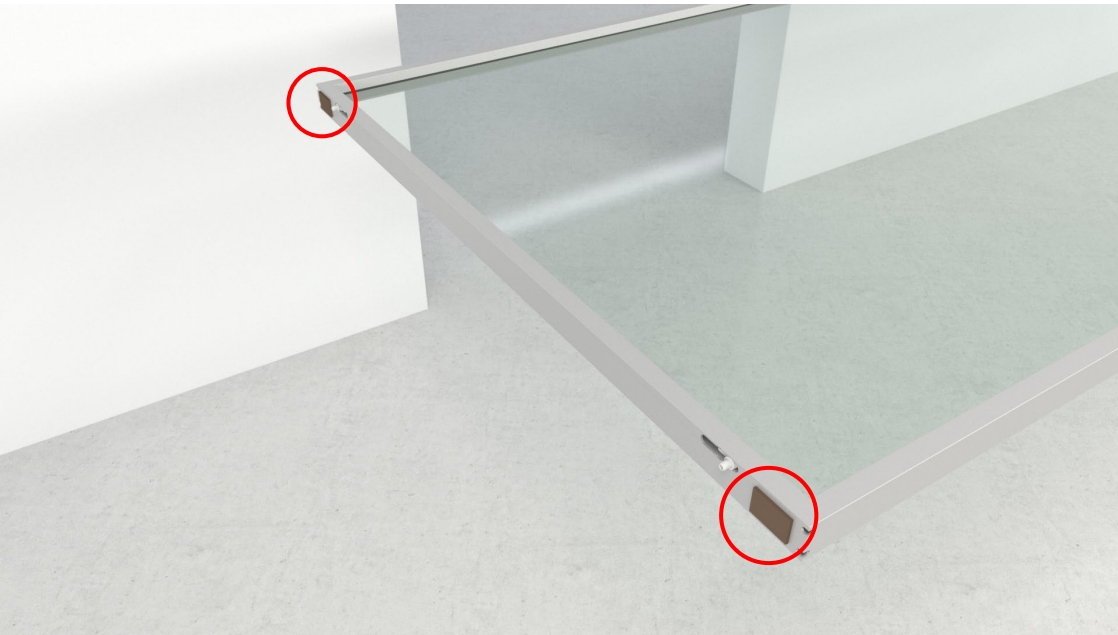


FIXED PARTITION INSTALLATION



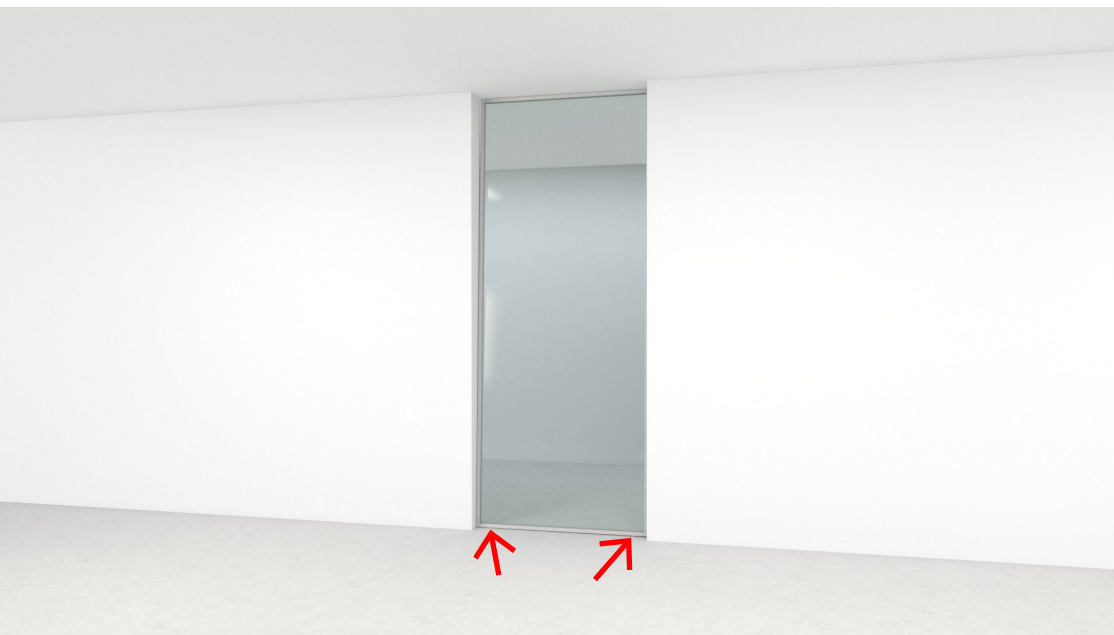
Attach 2 shims to the bottom of the panel, each 2.5 mm thick.

SHIMS NOT SUPPLIED, CAN BE FOUND IN ANY HARDWARE STORE

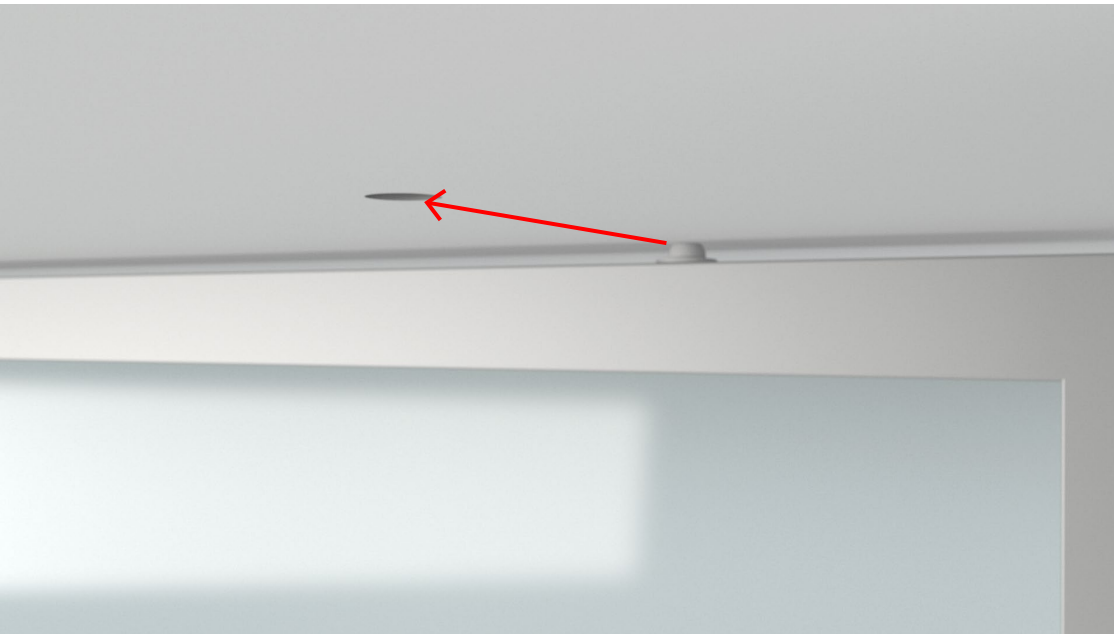




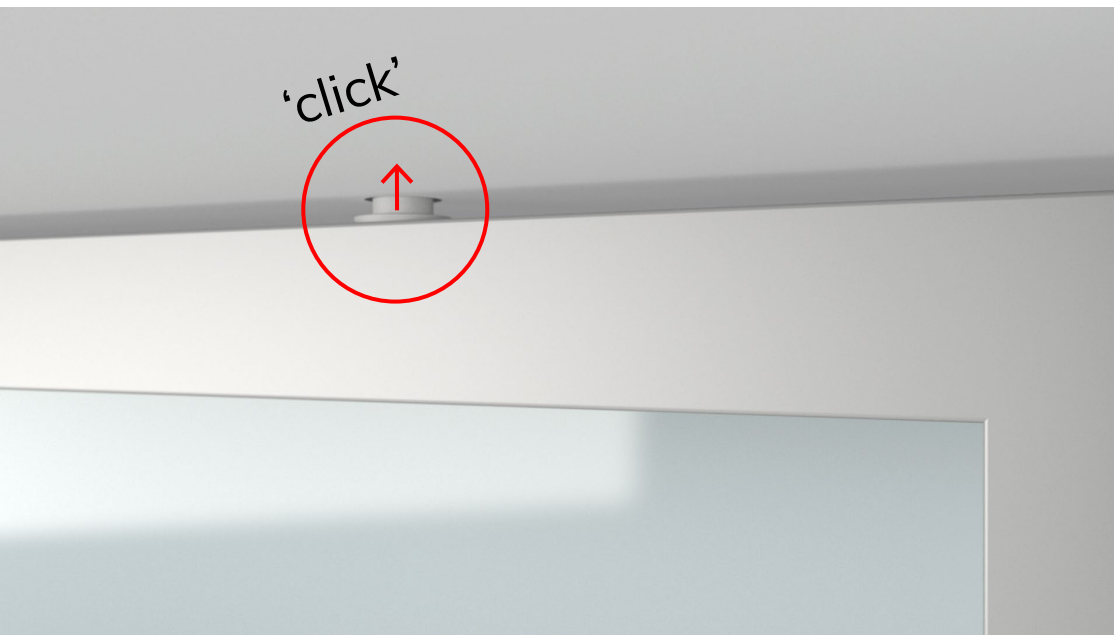
Position the panel on the floor, aligning the positioning caps with the drilled holes in the floor.



Rotate the panel more upright, and make sure the bottom positioning caps are inserted in the floor holes.



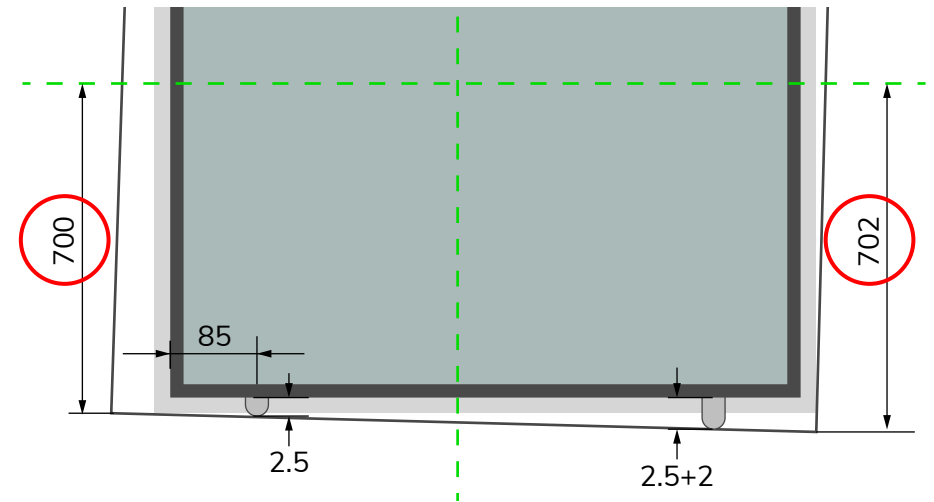
Carefully rotate the panel in place, until the top positioning caps extend in the ceiling holes.



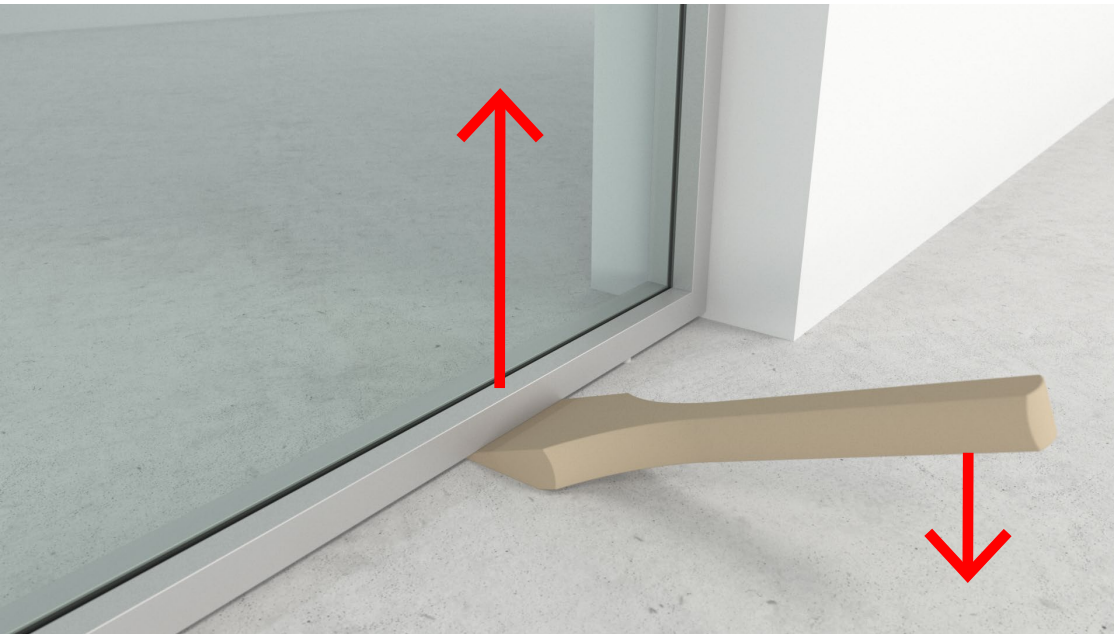
Now all 4 positioning caps are in place, further adjustments can be made safely.



In this example, on the bottom left the default 2.5 mm joint is present.



To level the panel, the right side should be raised from 2.5 to 4.5 mm.



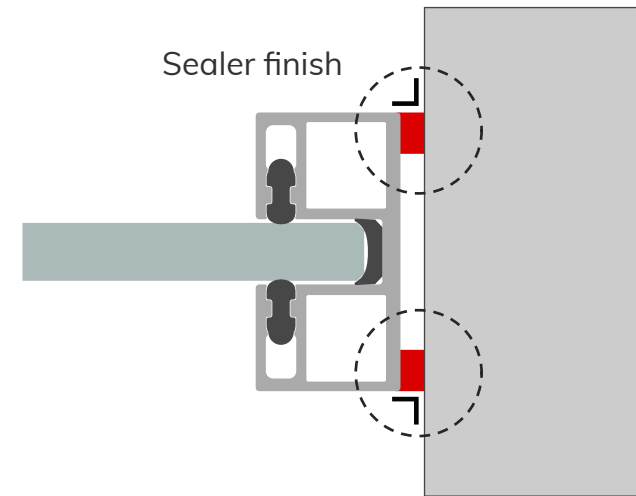
Lift the panel on the right side, and place 4.5 mm shims to level it.

**SHIMS NOT SUPPLIED, CAN BE
FOUND IN ANY HARDWARE STORE**



Once the panel is positioned and levelled, finish the joint with a paintable sealing product.

Moisturize the sealing product and framework with water and soap, to finish the sealing joint under a straight angle with a rectangle tool / spatula.





Clean the framework with acetone or alike (depending on sealing product).



Sealing joint can be painted in the desired color afterwards.

Repeat the sealing process on the other side of the panel.