

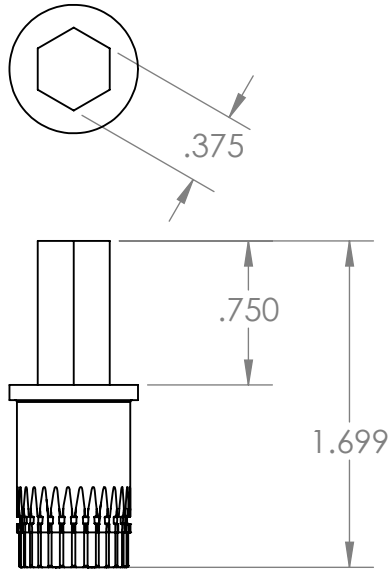
# ARMABOT

## Simple Swerve

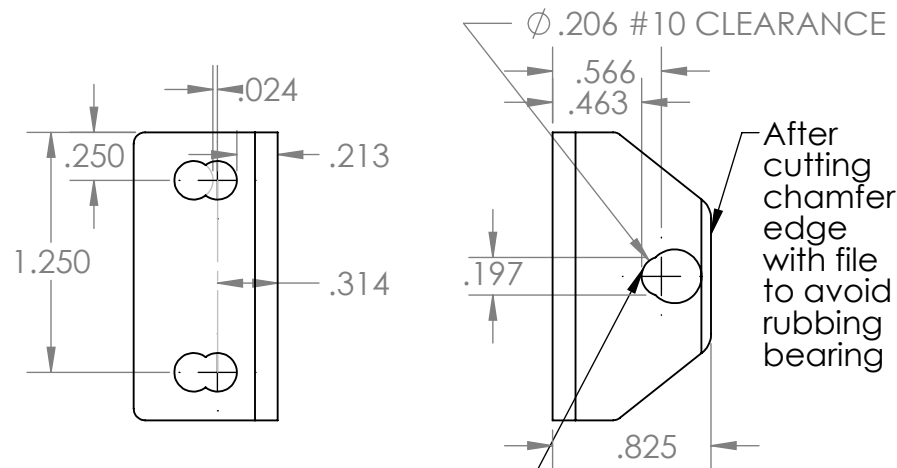
P/N A0061

## Modified Parts

### Cut Down VersaPlanetary Output Shaft

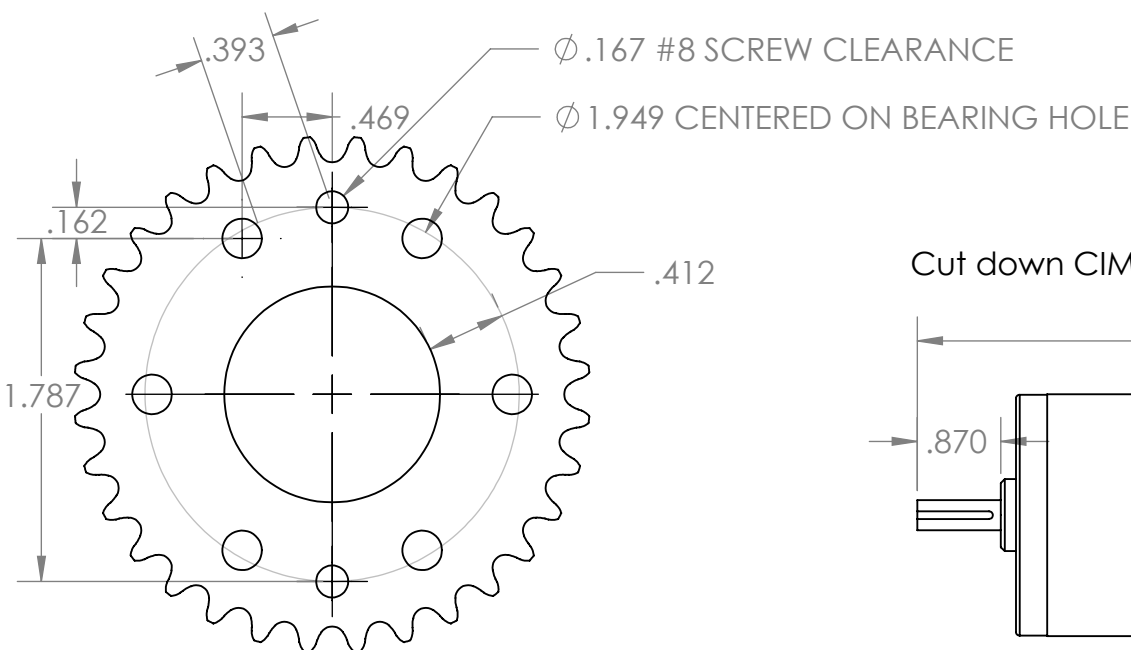


### Modify AndyMark Bracket

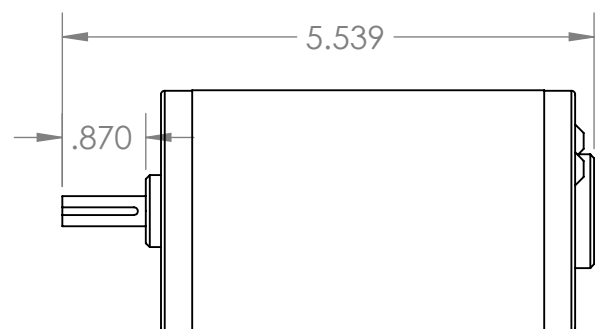


Hole enlargement is for clearance only and can be filed out, or milled with 1/4 inch end mill

### Drill new holes in 32T sprocket



### Cut down CIM shaft



One method of cutting the CIM shaft that works is to place the motor in a vise and power it so the shaft spins, then cut it with an abrasive blade spinning the opposite direction.