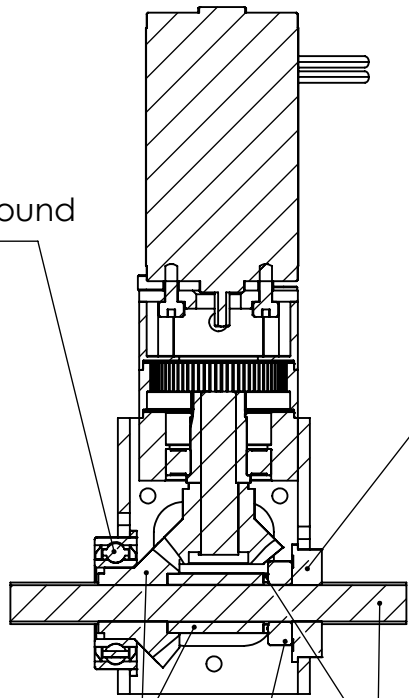


ARMABOT

Right Angle Drive P/N A0042 Installation Instructions



2. Install round bearing.

1. Install hex bearing.

3. Press spacer and bevel gear together, then install group into bearing.

4. Insert hex shaft to the position shown, then place rubber spacer in place, held by the hex shaft for step 5.

5. Slide shaft collar into place, rotate shaft and push through collar and bearing. Tighten shaft collar with Loctite when shaft is in the desired position. For 1/2" hex version, make sure chamfer faces bevel gear

