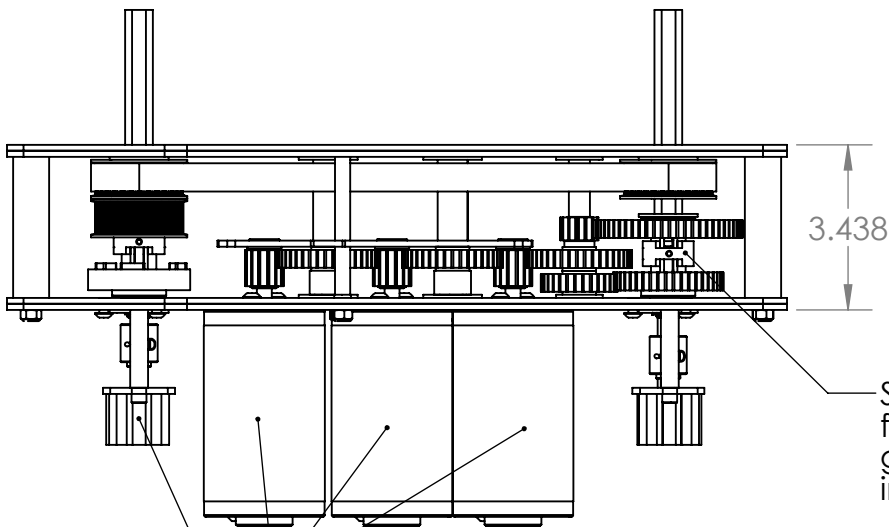
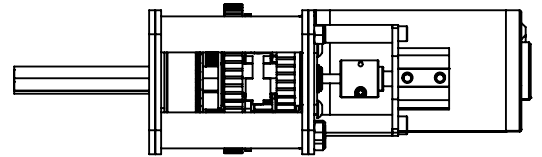
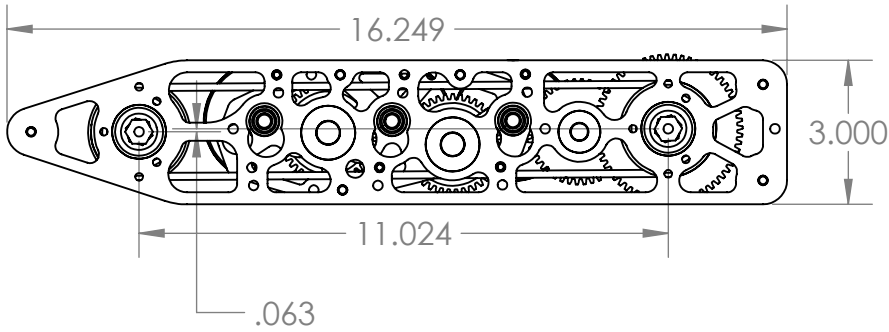


ARMABOT

Low Profile Drive P/N A0046 Outline Drawing



Shifter gearset
from WCP DS
gearbox (not
included)

WCP/VEX PTO
(not included)

Motors not included. CIM
or MiniCIM can be used.

