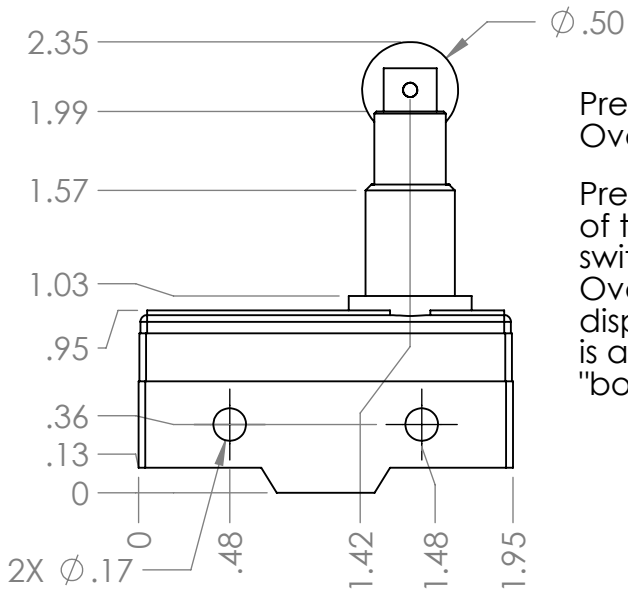
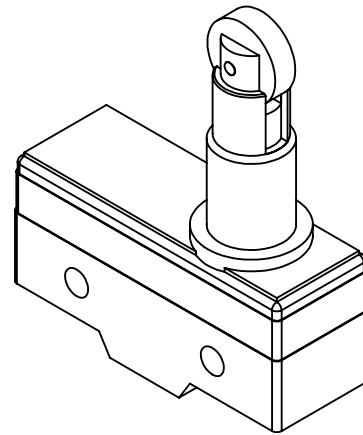
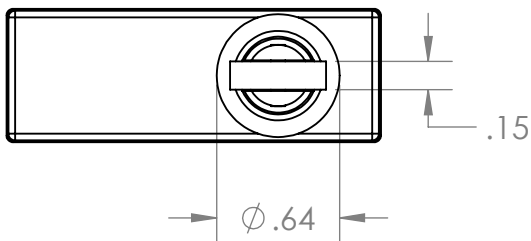


ARMABOT

Large Microswitch - Roller

P/N A0062

Outline Drawing



Pretravel (max): 0.016
Overtravel (min): 0.141

Pretravel is the displacement of the plunger before the switch is activated.
Overtravel is the displacement after the switch is activated and before it "bottoms out".

