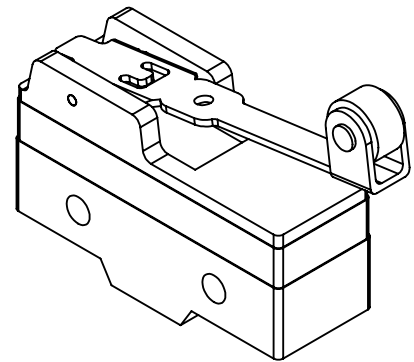
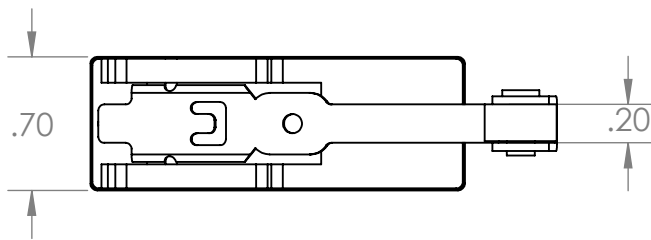
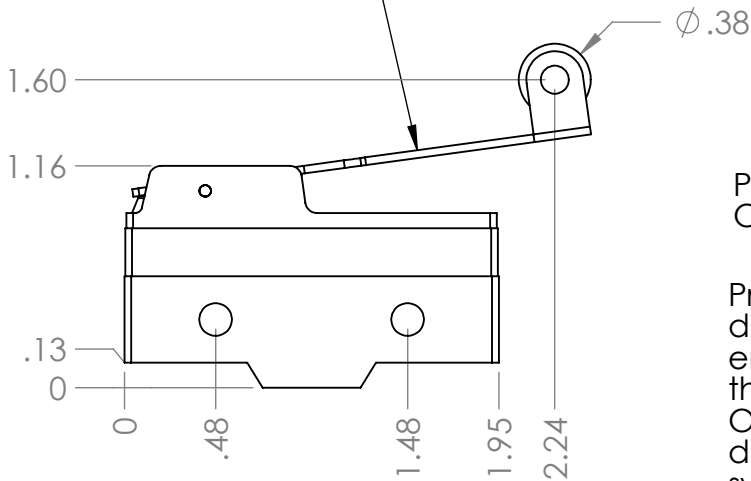


ARMABOT

Large Microswitch Roller-Lever P/N A0062 Outline Drawing



Lever may be bent to desired shape. This can affect pretravel and overtravel.



Pretravel (max): 0.189
Overtravel (min): 0.440

Pretravel is the displacement of the end of the lever before the switch is activated. Overtravel is the displacement after the switch is activated and before it "bottoms out".

