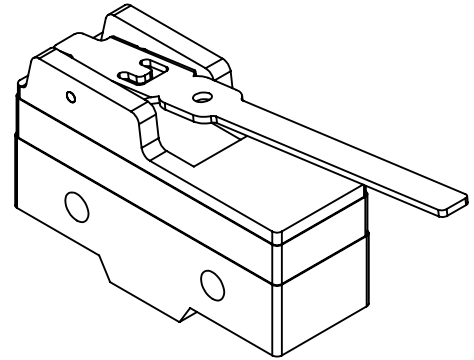
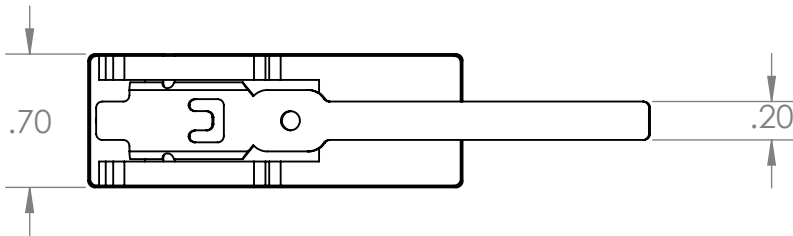


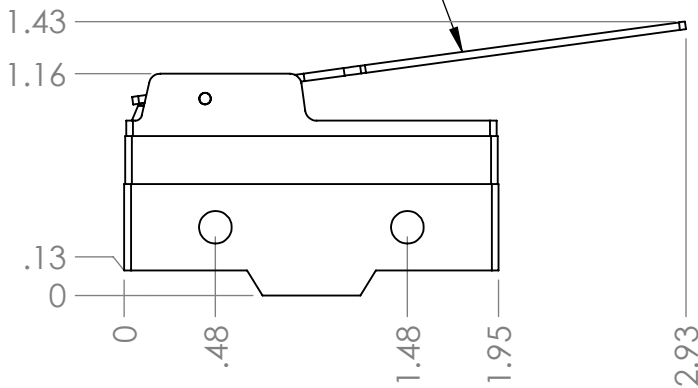
ARMABOT

Large Microswitch - Lever

P/N A0062
Outline Drawing

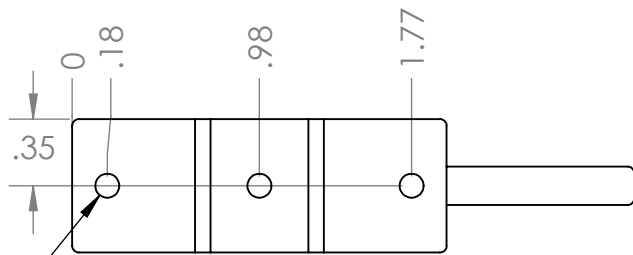
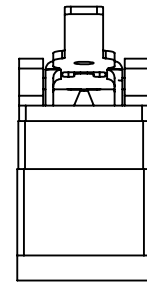


Lever may be bent to desired shape. This can affect pretravel and overtravel.



Pretravel (max): 0.189
Overtravel (min): 0.440

Pretravel is the displacement of the end of the lever before the switch is activated. Overtravel is the displacement after the switch is activated and before it "bottoms out".



3X Screw terminal