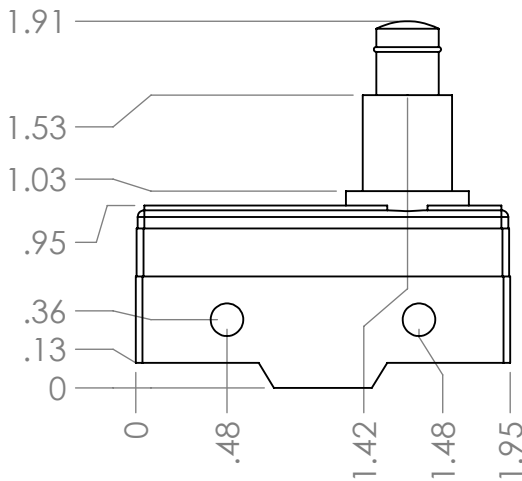
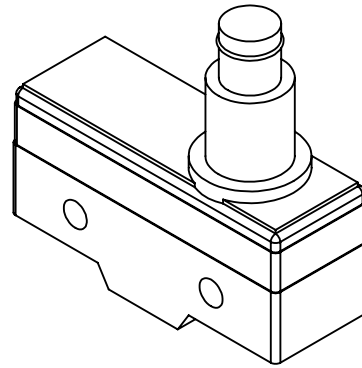
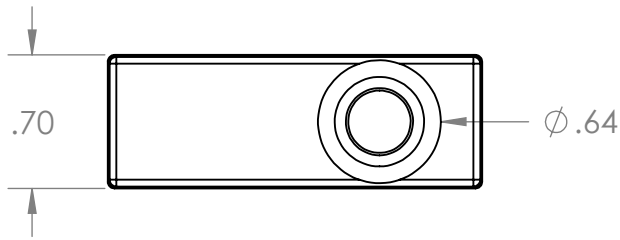


ARMABOT Large Microswitch - Button

P/N A0062
Outline Drawing



Pretravel (max): 0.016
Overtravel (min): 0.217

Pretravel is the displacement of the plunger before the switch is activated. Overtravel is the displacement after the switch is activated and before it "bottoms out".

