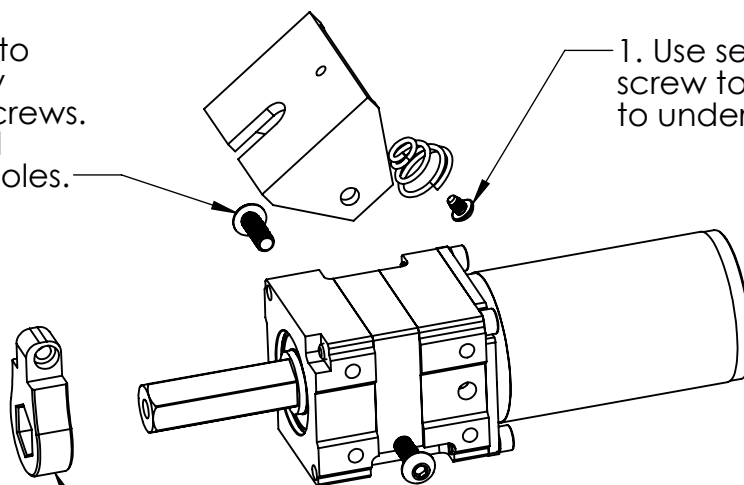


ARMABOT

HDRatchet P/N A0050 Installation Instructions

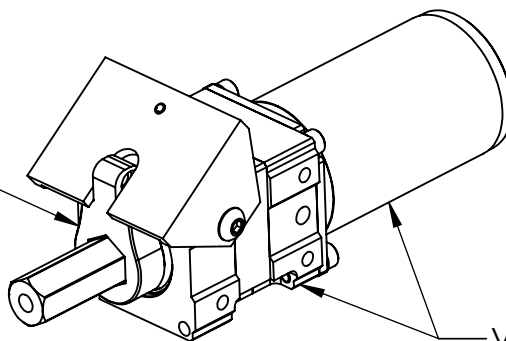
2. Secure lever to
Versa Planetary
gearbox with screws.
Use Loctite and
bottom out in holes.

1. Use self tapping
screw to secure spring
to underside of lever.



3. Slide on ratchet
mechanism. Rotate ratchet
or shaft to see proper
ratcheting function. Remove
ratchet and flip orientation to
change ratcheting direction.

Installation must leave
room for ratchet
mechanism to rotate 360°
after lever is depressed



Versa Planetary gearbox
and motor not included