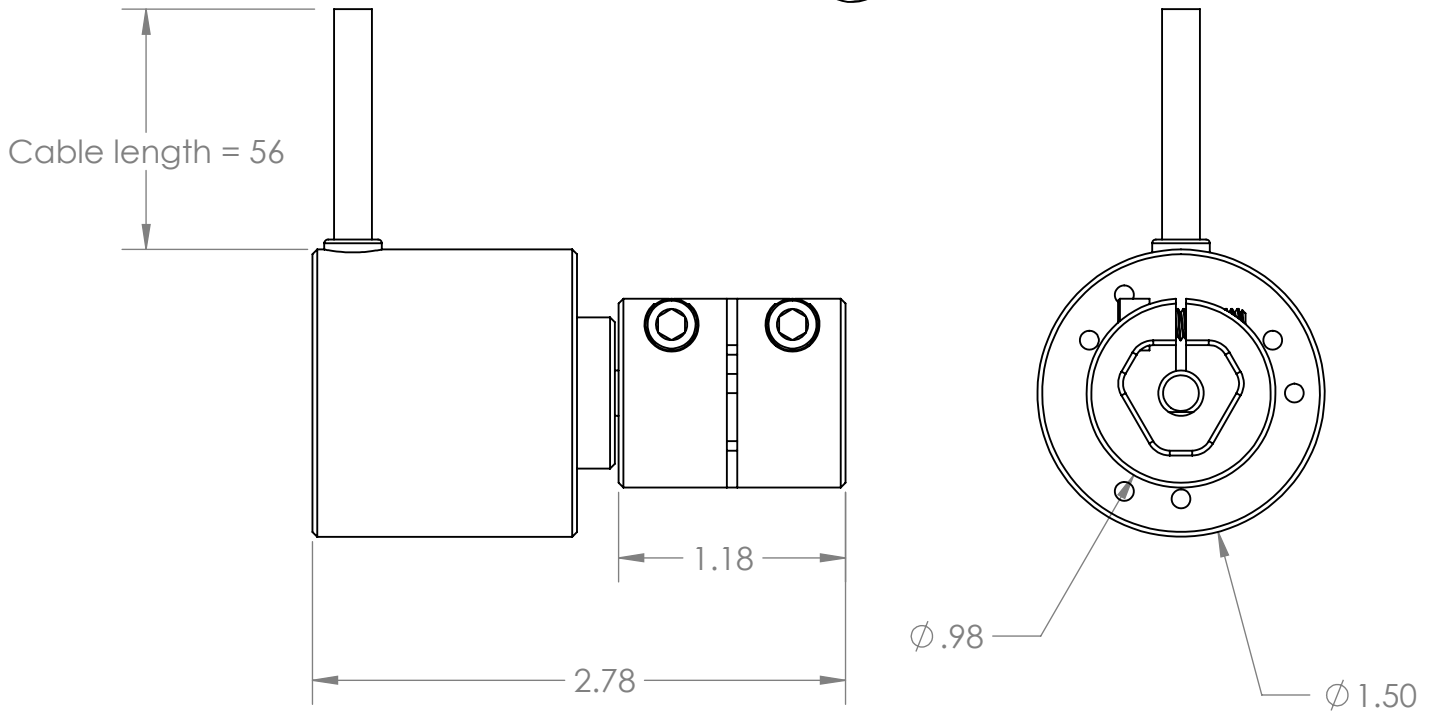
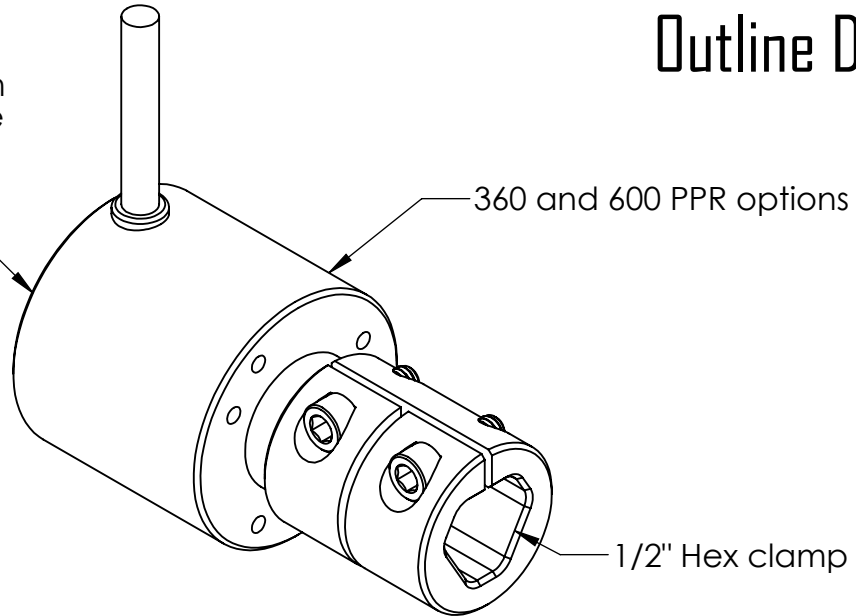


ARMABOT

Armacoder P/N A0071 Outline Drawing

When clamping to 1/2 hex shaft, do not over constrain the encoder. Use a flexible attachment that prevents rotation. If a solid object is near (within a few inches), anchor the cable to it.



Weight: Approx 5.4oz (152g)

| WIRING TABLE | |
|--------------|-----------|
| RED | 5Vdc |
| GREEN | Channel A |
| WHITE | Channel B |
| BLACK | Ground |