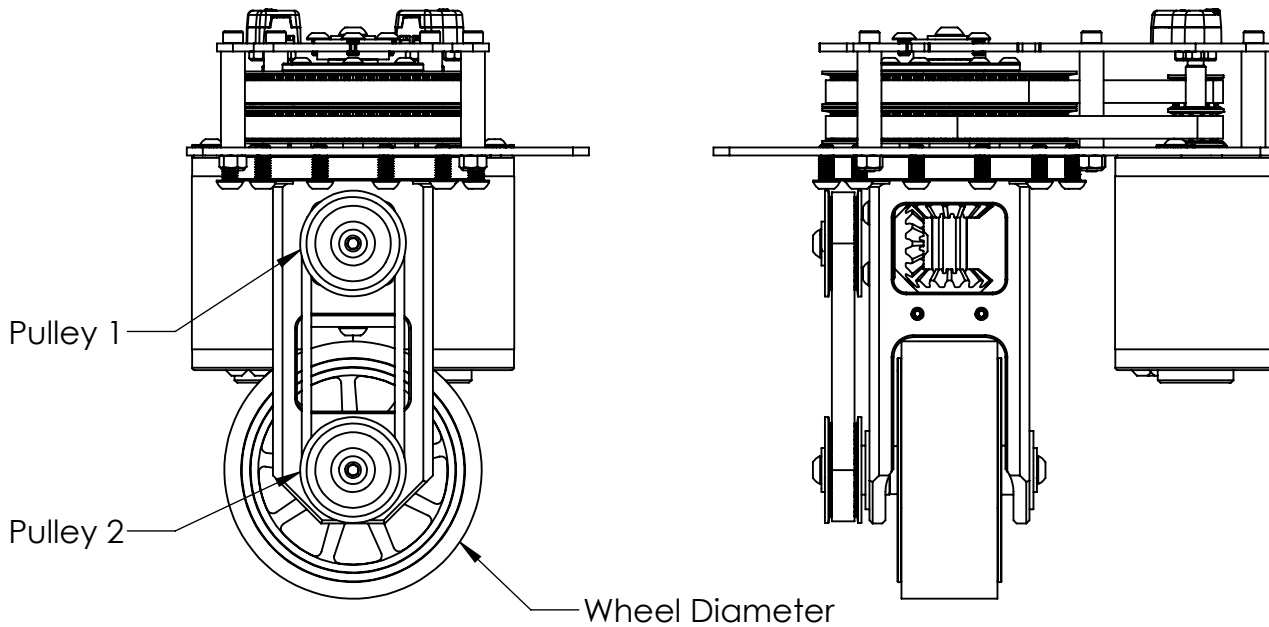


ARMABOT

Differential Swerve P/N A0067 Speed Chart



Differential swerve module wheel free speed chart.

	<i>Vex compatible</i>	<i>Hex broach required</i>	<i>Hex broach required</i>	<i>Hex broach required</i>	<i>Vex compatible</i>	<i>Hex broach required</i>	<i>Hex broach required</i>	<i>Vex compatible</i>
Pulley 1 teeth	18	18	20	20	24	22	22	24
Pulley 2 teeth	24	22	22	20	24	20	18	18
Matching belt teeth	57	56	57	56	60	57	56	57
CIM w/ 3" Wheel (ft/s)	10.5	11.4	12.7	14.0	14.0	15.4	17.1	18.6
CIM w/ 4" Wheel (ft/s)	14.0	15.2	16.9	18.6	18.6	20.5	22.7	24.8
miniCIM* w/ 3" Wheel (ft/s)	11.5	12.5	13.9	15.3	15.3	16.8	18.7	20.4
miniCIM* w/ 4" Wheel (ft/s)	15.3	16.7	18.5	20.4	20.4	22.4	24.9	27.2

*REV NEO motor (5760RPM) similar to miniCIM (5830RPM). CIM (5330RPM).