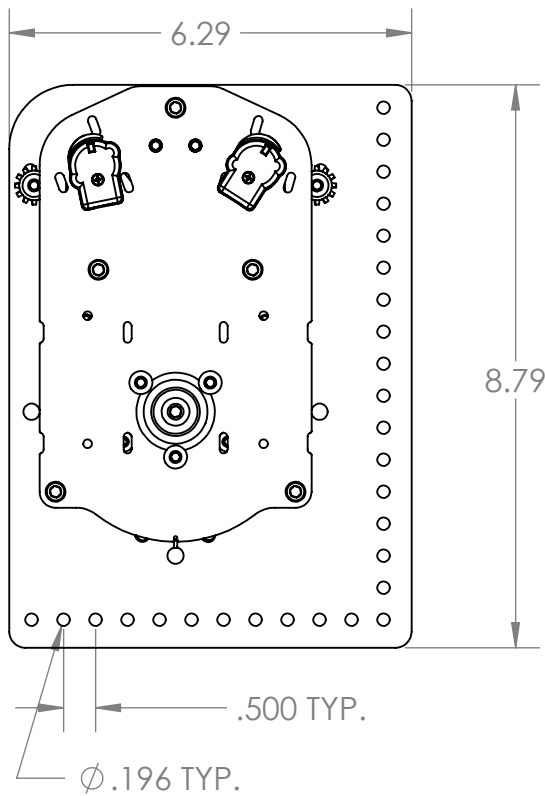


ARMABOT

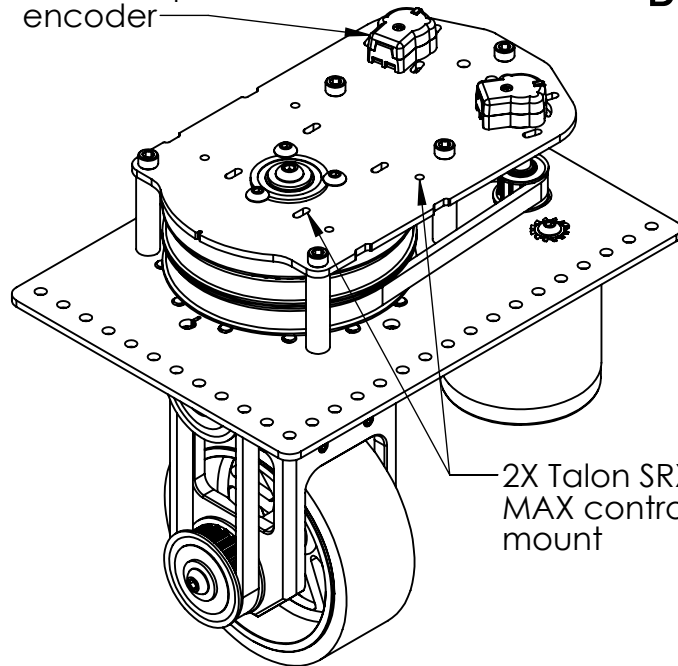
Differential Swerve

P/N A0067

Outline
Drawing

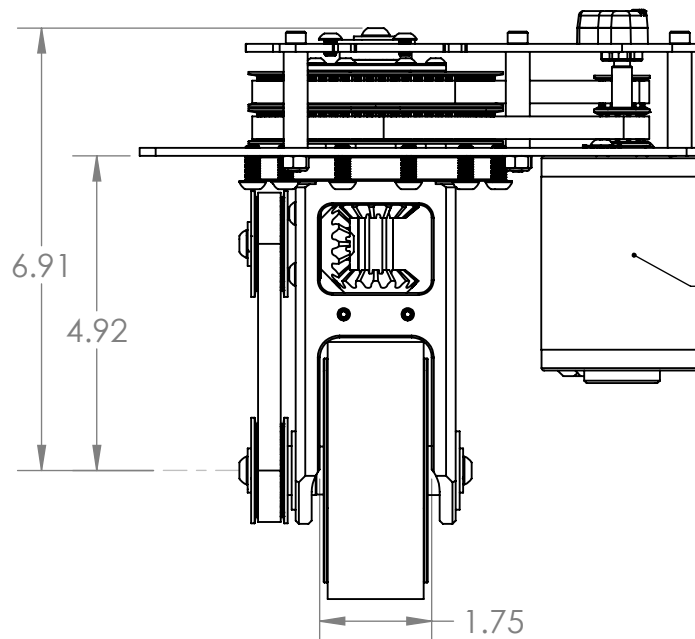
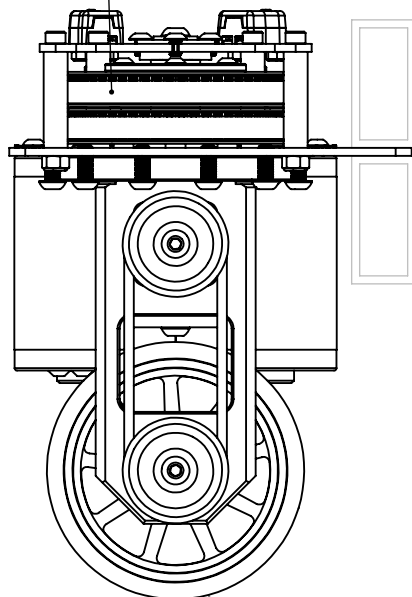


2X mount for
MAG or optical
encoder



5:1 Drive Ratio
5:1 Steering Ratio

Attach frame tube
above or below main
plate with screws or rivets



Ø4" Wheel max., 1/2" Hex bore