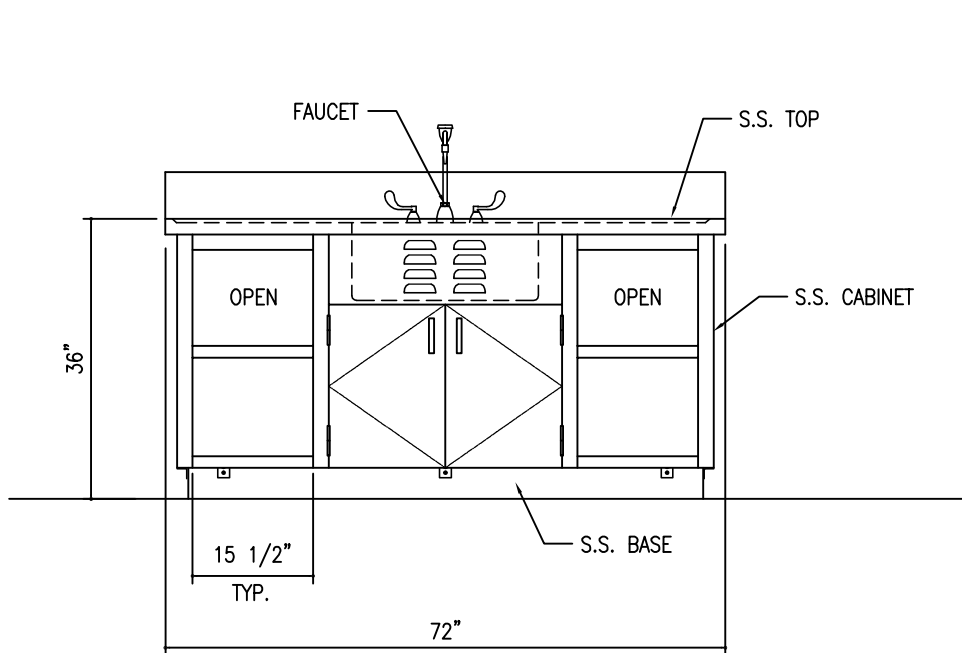
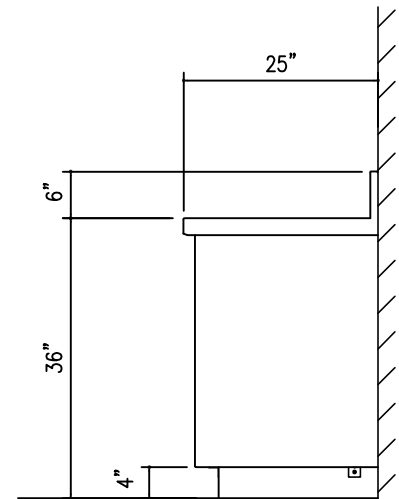


PLAN VIEW / FHS-1B (1) COMP. SINK



ELEVATION / FHS-1B (1) COMP. SINK



END ELEVATION

This drawing is the property of Chaparral 1 Inc. and is loaned subject to the condition that it is not to be copied, reproduced or distributed either whole or in part and is not to be used directly or indirectly excepting under the supervision of Chaparral 1 Inc.. Nor may it be used in any way that is detrimental to the interests of Chaparral 1 Inc.

Approximate Sink weight: 345 lbs  
 Approximate Crated weight: TBD



P.O. Box 11368  
 Portland, OR. 97211 - 0368  
 Ph: (503) 285-9553  
 Toll Free Ph: (888) 246-9348  
 Fax: (503) 285-9526  
 Toll Free Fax: (877) 246-9526  
 www.chaparralfixtures.com

FHS - 1B  
 (1) COMPARTMENT SINK

Date:  
 6-28-16

Sheet  
 1