

(1) EA. 120V DEDICATED DUPLEX RECEPTACLE. BY OTHERS.

**NOTE:**

1. CHAPARRAL MAKES NO CLAIM AS TO THE SUFFICIENCY OR ACCEPTABILITY OF THE PLUMBING SYSTEM UTILIZED WITH THIS SINK. LOCAL CODES VARY AND THIS SYSTEM MAY OR MAY NOT COMPLY. PLUMBING MUST BE CONSTRUCTED IN ACCORDANCE WITH LOCAL CODE STANDARDS. CHAPARRAL ASSUMES NO LIABILITY IN THE EVENT THIS PLUMBING SYSTEM DOES NOT MEET LOCAL CODE. CUSTOMER MUST SUBMIT PLUMBING SYSTEM TO LOCAL AUTHORITIES FOR PRE-APPROVAL PRIOR TO INSTALLATION. CHAPARRAL'S WARRANTY SPECIFICALLY EXCLUDES THE PLUMBING SYSTEM.
2. PROVIDE 1 1/2" CLEARANCE AT ALL SIDES TO AVOID PINCH HAZARD.
3. TO ALLOW SUFFICIENT ROOM FOR SINK HEIGHT ADJUSTABILITY, NOTHING MAY BE MOUNTED ON THE WALL IN THE LOCATION OF THE SINK BETWEEN THE HEIGHTS OF 10" AND 50" ABOVE FINISHED FLOOR (81" WITH OPTIONAL RACK).
4. SINK REQUIRES 120V POWER SUPPLY AND GFI AS REQUIRED, WHICH ARE BY OTHERS.
5. SINK REQUIRES 1 1/2" WASTE ROUGH-IN AT 7 1/2" HEIGHT ABOVE FINISHED FLOOR.

Mains Supply: 120V ~, 60Hz, 6A



Approximate Sink weight: 350 Lbs.  
Approximate Crated weight: 610 Lbs.

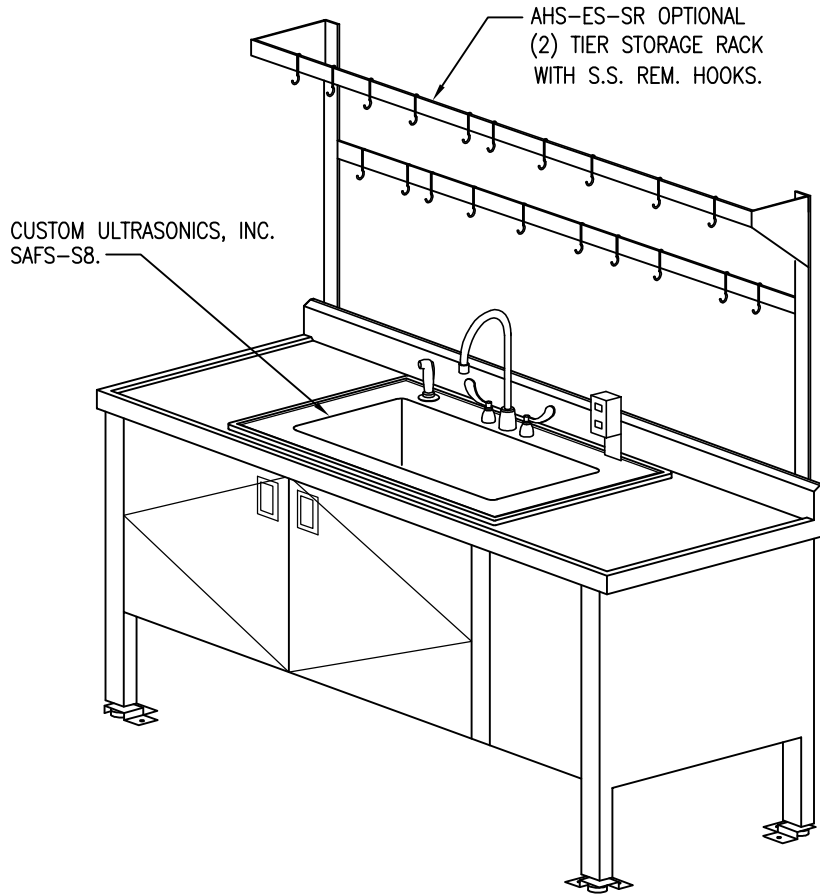


P.O. Box 11368  
Portland, OR. 97211 - 0368  
Toll Free Ph: (888) 246-9348  
www.chaparralfixtures.com

AHS - ES - C - DW  
ADJ. HEIGHT SCOPE  
ASSIST FLUSH SINK  
SAFS - S8 CENTERED  
DIRECT WASTE

Date: 5-01-18
Rev.
Rev.
Sht: 1

This drawing is the property of Chaparral 1 Inc. and is loaned subject to the condition that it is not to be copied, reproduced or distributed either whole or in part and is not to be used directly or indirectly excepting under the supervision of Chaparral 1 Inc. Nor may it be used in any way that is detrimental to the interests of Chaparral 1 Inc.



This drawing is the property of Chaparral 1 Inc. and is loaned subject to the condition that it is not to be copied, reproduced or distributed either whole or in part and is not to be used directly or indirectly excepting under the supervision of Chaparral 1 Inc. Nor may it be used in any way that is detrimental to the interests of Chaparral 1 Inc.



P.O. Box 11368  
 Portland, OR. 97211 - 0368  
 Toll Free Ph: (888) 246-9348  
 www.chaparralfixtures.com

AHS - ES - C - DW  
 ADJ. HEIGHT SCOPE  
 ASSIST FLUSH SINK  
 SAFS - S8 CENTERED  
 DIRECT WASTE

Date: 5-01-18

Rev.

Rev.

Sht: 2