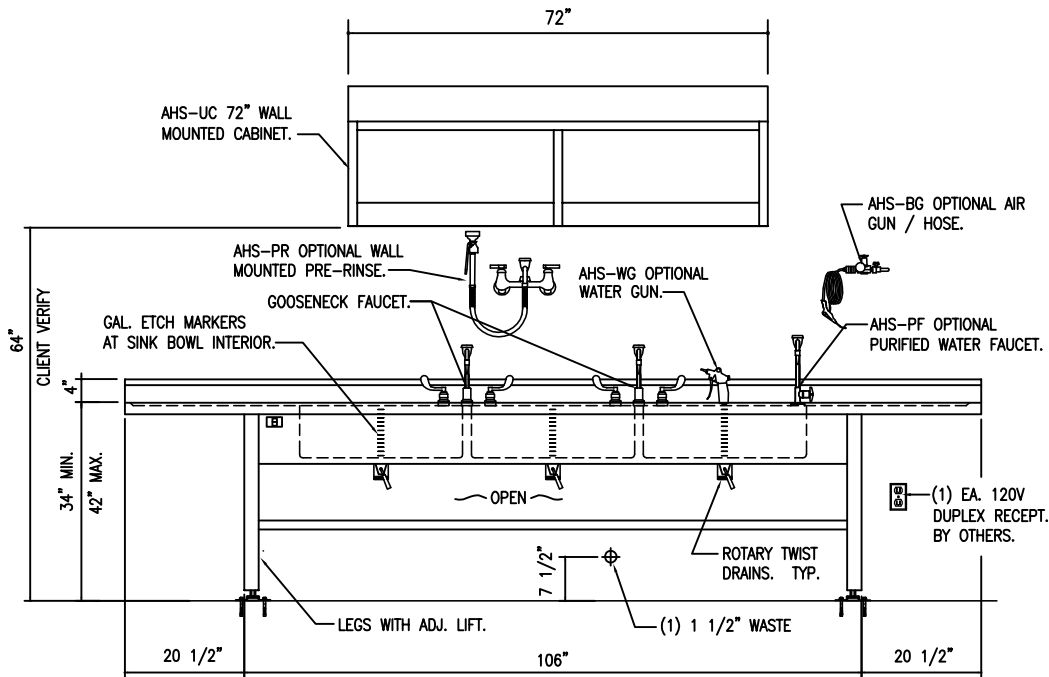
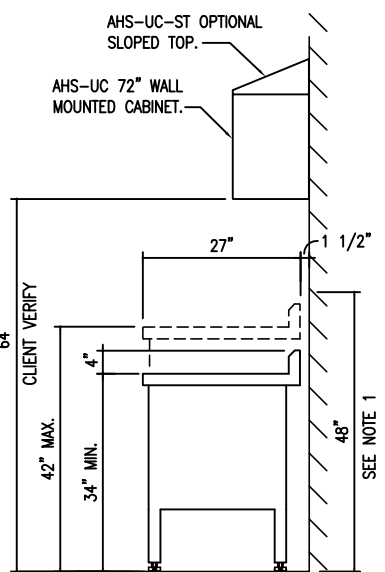


PLAN VIEW / AHS-3B-DW (3) COMP. SINK



ELEVATION / AHS-3B-DW (3) COMP. SINK



END ELEVATION

This drawing is the property of Chaparral 1 Inc. and is loaned subject to the condition that it is not to be copied, reproduced or distributed either whole or in part and is not to be used directly or indirectly excepting under the supervision of Chaparral 1 Inc. Nor may it be used in any way that is detrimental to the interests of Chaparral 1 Inc.

NOTE:

1. CHAPARRAL MAKES NO CLAIM AS TO THE SUFFICIENCY OR ACCEPTABILITY OF THE PLUMBING SYSTEM UTILIZED WITH THIS SINK. LOCAL CODES VARY AND THIS SYSTEM MAY OR MAY NOT COMPLY. PLUMBING MUST BE CONSTRUCTED IN ACCORDANCE WITH LOCAL CODE STANDARDS. CHAPARRAL ASSUMES NO LIABILITY IN THE EVENT THIS PLUMBING SYSTEM DOES NOT MEET LOCAL CODE. CUSTOMER MUST SUBMIT PLUMBING SYSTEM TO LOCAL AUTHORITIES FOR PRE-APPROVAL PRIOR TO INSTALLATION. CHAPARRAL'S WARRANTY SPECIFICALLY EXCLUDES THE PLUMBING SYSTEM.
2. PROVIDE 1 1/2" CLEARANCE AT ALL SIDES TO AVOID PINCH HAZARD.
3. TO ALLOW SUFFICIENT ROOM FOR SINK HEIGHT ADJUSTABILITY, NOTHING MAY BE MOUNTED ON THE WALL IN THE LOCATION OF THE SINK BETWEEN THE HEIGHTS OF 10" AND 48" ABOVE FINISHED FLOOR.
4. SINK REQUIRES 120V POWER SUPPLY AND GFI AS REQUIRED, WHICH ARE BY OTHERS.
5. SINK REQUIRES 1 1/2" WASTE ROUGH-IN AT 7 1/2" HEIGHT ABOVE FINISHED FLOOR.

Mains Supply: 120V ~, 60Hz, 6A



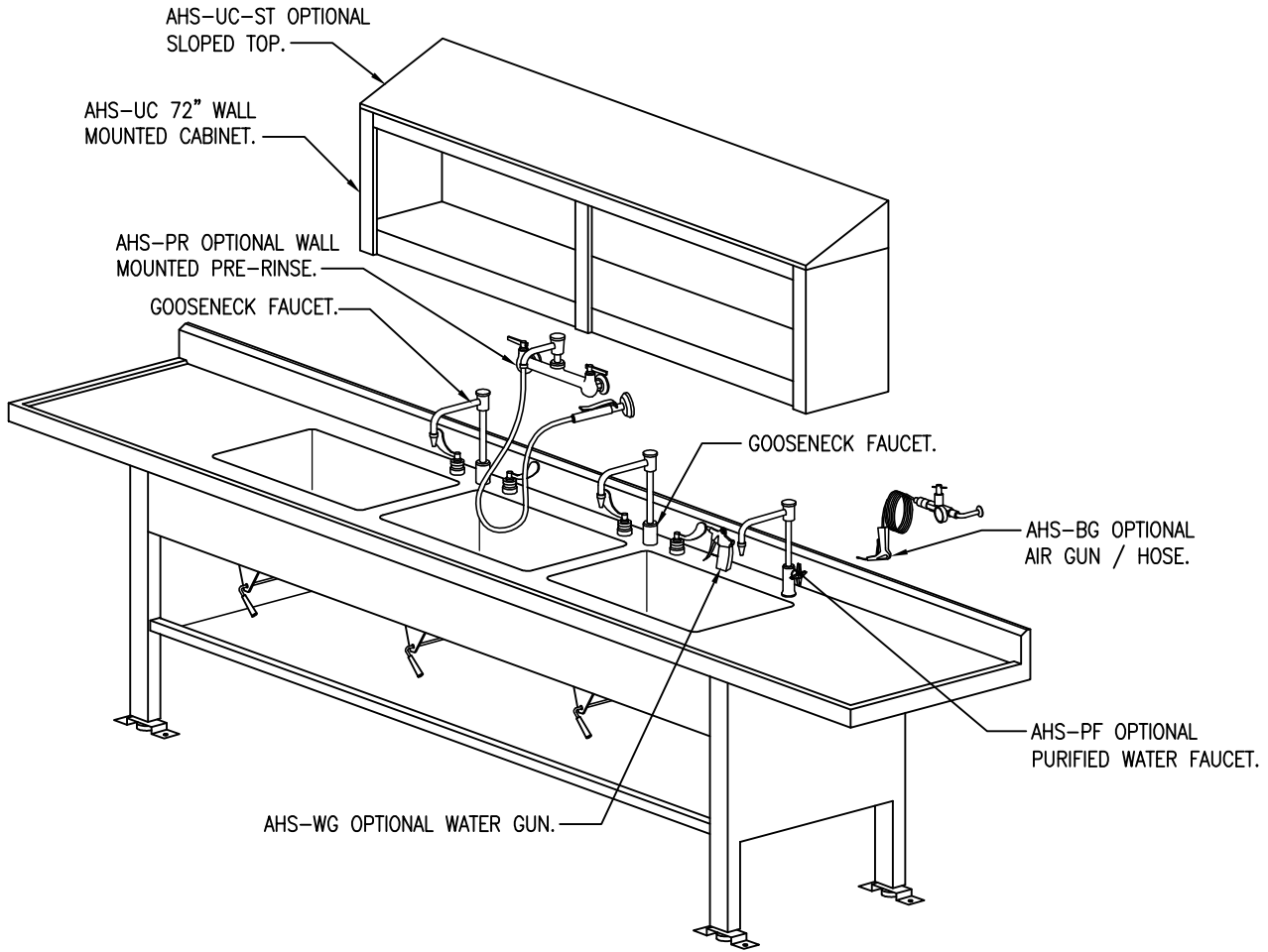
Approximate Sink weight: 350 Lbs.
Approximate Crated weight: 880 Lbs.



P.O. Box 11368
Portland, OR. 97211 - 0368
Toll Free Ph: (888) 246-9348
www.chaparralfixtures.com

AHS - 3B - DW
(3) BOWL ADJ. HEIGHT SINK
DIRECT WASTE CONNECTION
LEFT TO RIGHT WORKFLOW

Date: 5-01-18
Rev.
Rev.
Sht: 1



This drawing is the property of Chaparral 1 Inc. and is loaned subject to the condition that it is not to be copied, reproduced or distributed either whole or in part and is not to be used directly or indirectly excepting under the supervision of Chaparral 1 Inc. Nor may it be used in any way that is detrimental to the interests of Chaparral 1 Inc.



P.O. Box 11368
 Portland, OR. 97211 - 0368
 Toll Free Ph: (888) 246-9348
 www.chaparralfixtures.com

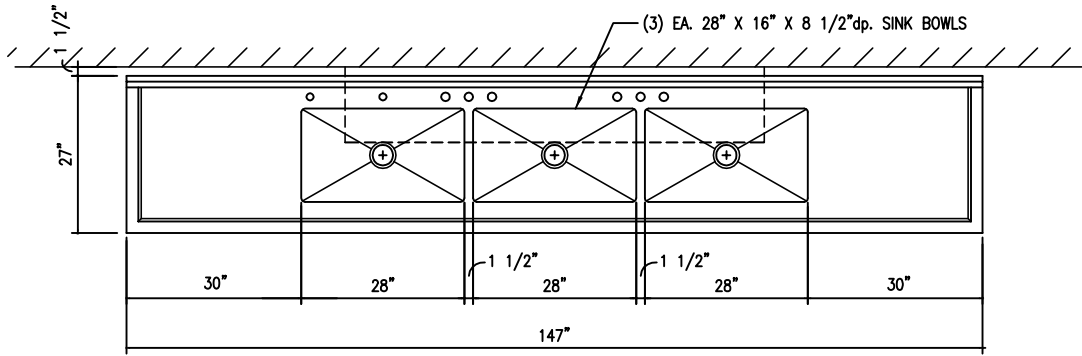
AHS - 3B - DW
 (3) BOWL ADJ. HEIGHT SINK
 DIRECT WASTE CONNECTION
 LEFT TO RIGHT WORKFLOW

Date: 5-01-18

Rev.

Rev.

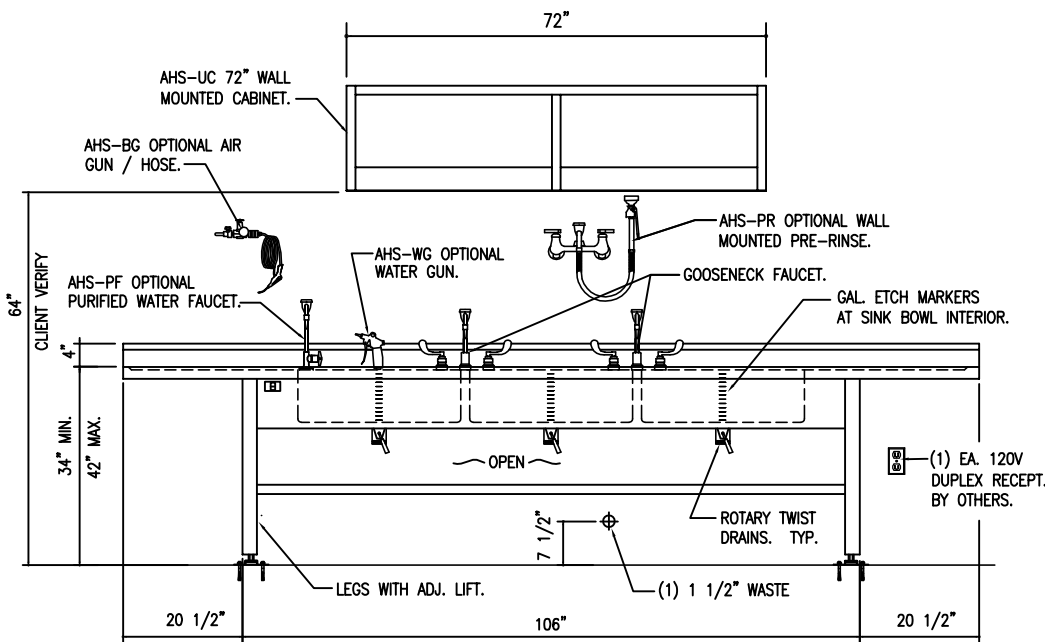
Sht: 2



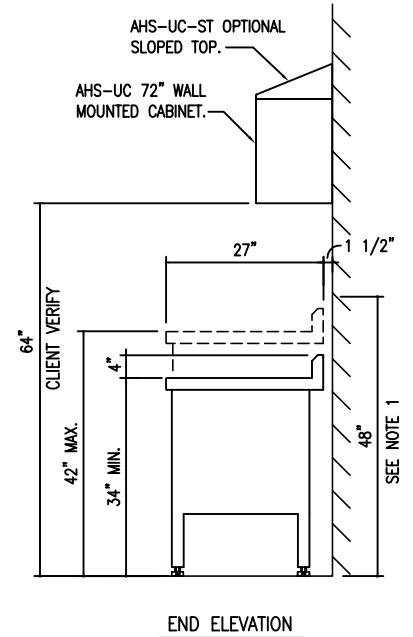
PLAN VIEW / AHS-3B-DW (3) COMP. SINK



This drawing is the property of Chaparral 1 Inc. and is loaned subject to the condition that it is not to be copied, reproduced or distributed either whole or in part and is not to be used directly or indirectly excepting under the supervision of Chaparral 1 Inc.. Nor may it be used in any way that is detrimental to the interests of Chaparral 1 Inc.



ELEVATION / AHS-3B-DW (3) COMP. SINK



END ELEVATION

NOTE:

1. CHAPARRAL MAKES NO CLAIM AS TO THE SUFFICIENCY OR ACCEPTABILITY OF THE PLUMBING SYSTEM UTILIZED WITH THIS SINK. LOCAL CODES VARY AND THIS SYSTEM MAY OR MAY NOT COMPLY. PLUMBING MUST BE CONSTRUCTED IN ACCORDANCE WITH LOCAL CODE STANDARDS. CHAPARRAL ASSUMES NO LIABILITY IN THE EVENT THIS PLUMBING SYSTEM DOES NOT MEET LOCAL CODE. CUSTOMER MUST SUBMIT PLUMBING SYSTEM TO LOCAL AUTHORITIES FOR PRE-APPROVAL PRIOR TO INSTALLATION. CHAPARRAL'S WARRANTY SPECIFICALLY EXCLUDES THE PLUMBING SYSTEM.
2. PROVIDE 1 1/2" CLEARANCE AT ALL SIDES TO AVOID PINCH HAZARD.
3. TO ALLOW SUFFICIENT ROOM FOR SINK HEIGHT ADJUSTABILITY, NOTHING MAY BE MOUNTED ON THE WALL IN THE LOCATION OF THE SINK BETWEEN THE HEIGHTS OF 10" AND 48" ABOVE FINISHED FLOOR.
4. SINK REQUIRES 120V POWER SUPPLY AND GFI AS REQUIRED, WHICH ARE BY OTHERS.
5. SINK REQUIRES 1 1/2" WASTE ROUGH-IN AT 7 1/2" HEIGHT ABOVE FINISHED FLOOR.

Mains Supply: 120V ~, 60Hz, 6A



Approximate Sink weight: 350 Lbs.
Approximate Crated weight: 880 Lbs.



P.O. Box 11368 Portland, OR.
97211 - 0368
Ph: (503) 285-9553
Toll Free Ph: (888) 246-9348
www.chaparralfixtures.com

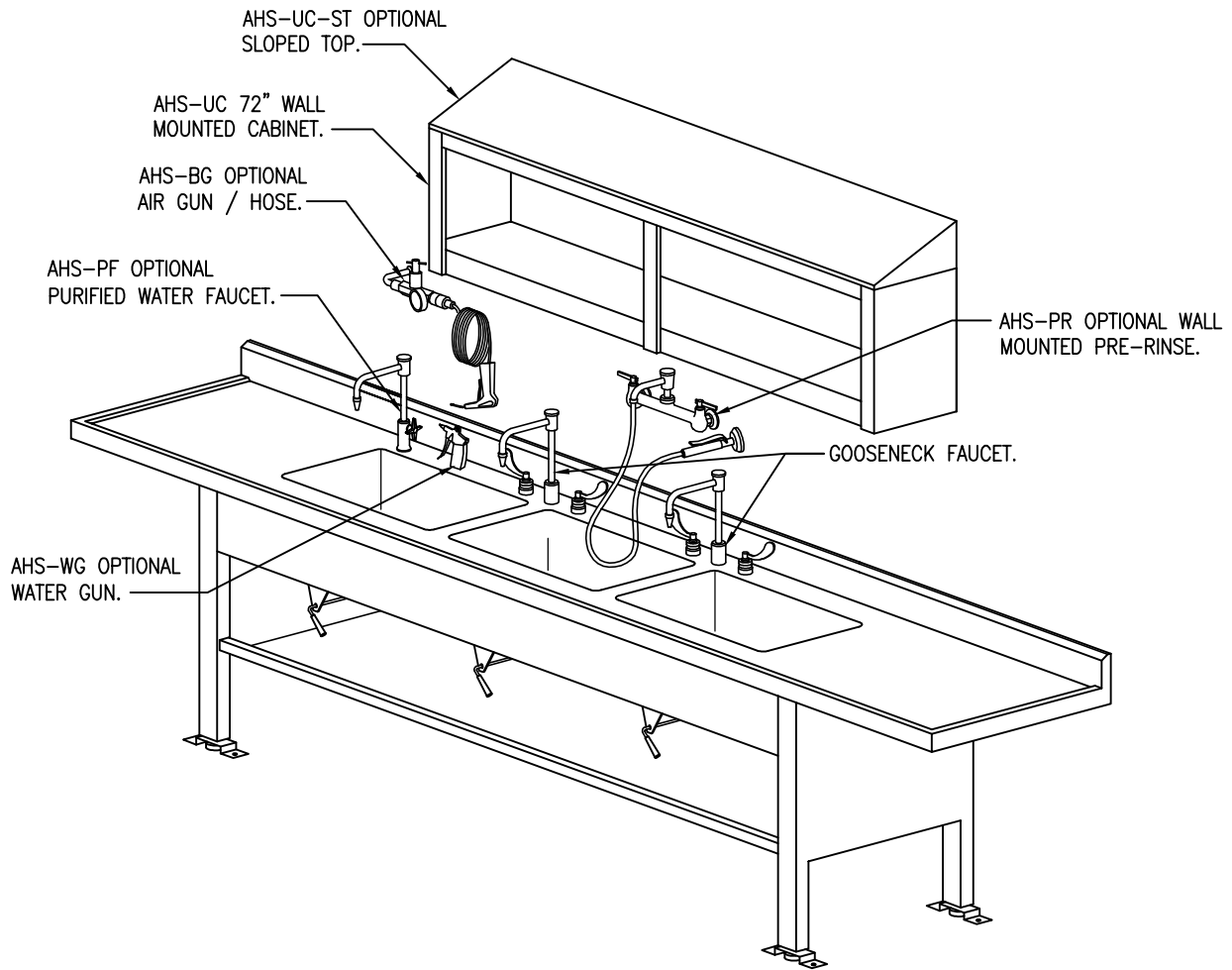
AHS - 3B - DW
(3) BOWL ADJ. HEIGHT SINK
DIRECT WASTE CONNECTION
RIGHT LEFT TO WORKFLOW

Date: 5-01-18

Rev.

Rev.

Sht: 1



This drawing is the property of Chaparral 1 Inc. and is loaned subject to the condition that it is not to be copied, reproduced or distributed either whole or in part and is not to be used directly or indirectly excepting under the supervision of Chaparral 1 Inc.. Nor may it be used in any way that is detrimental to the interests of Chaparral 1 Inc.



P.O. Box 11368 Portland, OR.
 97211 - 0368
 Ph: (503) 285-9553
 Toll Free Ph: (888) 246-9348
 www.chaparralfixtures.com

AHS - 3B - DW
 (3) BOWL ADJ. HEIGHT SINK
 DIRECT WASTE CONNECTION
 RIGHT TO LEFT WORKFLOW

Date: 5-01-18

Rev.

Rev.

Sht: 2