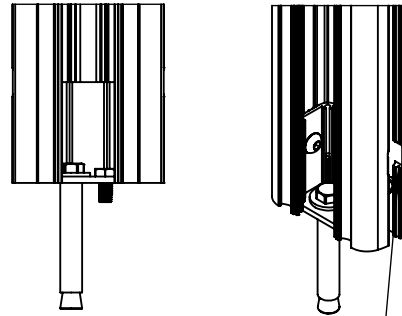


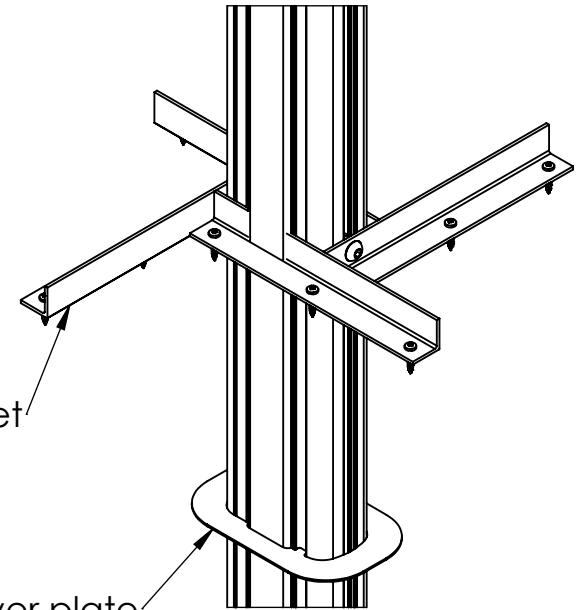
Base Mount



Slots in side for nuts to be inserted after install

Ceiling mount bracket

Ceiling cover plate



PROPRIETARY AND CONFIDENTIAL
 THE INFORMATION CONTAINED IN THIS DRAWING IS THE SOLE PROPERTY OF MODTEC. ANY REPRODUCTION IN PART OR AS A WHOLE WITHOUT THE WRITTEN PERMISSION OF MODTEC IS PROHIBITED.

TOLERANCES
 ALL TOLERANCES UNLESS OTHERWISE SPECIFIED:
 X.XX ± 0.05
 X.X ± 0.1
 X ± 0.5



REVISIONS:			
REV	DATE	DRAWN	REASON
3	09/11/2015	MG	Added second sheet
2	12/06/2015	MG	Added in extra bolts and retrofit jig
1	20/11/2013	MG	Corrected size of Apollo6's
0	12/11/2013	CN	First Issue

COMMENTS:

DIMENSIONS ARE IN MM DO NOT SCALE DRAWING

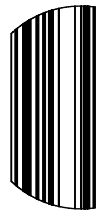
	NAME	DATE
DRAWN	MG	9/11/2015
CHECKED		
APPROVED	BD	12/06/2015
MATERIAL:		
FINISH:		
WEIGHT:		

INTEG INTERNATIONAL	
DESCRIPTION: Integ, Apollo6 19.5ft Floor to Ceiling Pole (with 2 Joiners)	
PART NUMBER: CHF-FC6-00	
REVISION: 3	
SCALE: 1:45	SHEET 1 OF 2
FILE NAME: CHF-FC6-00 Rev3 Integ, Apollo6 19.5ft Floor to Ceiling Pole (with 2 Joiners)	

ITEM NO.	Part Number	REV	DESCRIPTION	QTY.
1	ASB-SCB-00	1	A6 Reverse Ceiling Mount Bracket	1
2	FC-SCP-00	2	Beam Ceiling Cover Plate	1
3	FC-SRF-00	1	Apollo6 Joiner Retrofit Jig	1
4	SAM0161-TOP1981	1	Apollo6 Connector Top 1981mm	1
5	FC-SBM-04	0	Apollo6 joiner	2
6	SAM0259 / 1981	1	Duct Cover 1981mm	3
7	SAM0161-MID1981	1	Apollo6 Connector Middle 1981mm	1
8	SAM0349	0	M10 Nut zp	4
9	SAM0347	0	M10 x 20 zp button head screw	4
10	SAM0161-BSE1981	0	Apollo6 Connector Base 1981mm	1
11	FC-SBM-03	2	Apollo6 Connector Base Mount	1



DETAIL A
SCALE 1 : 20



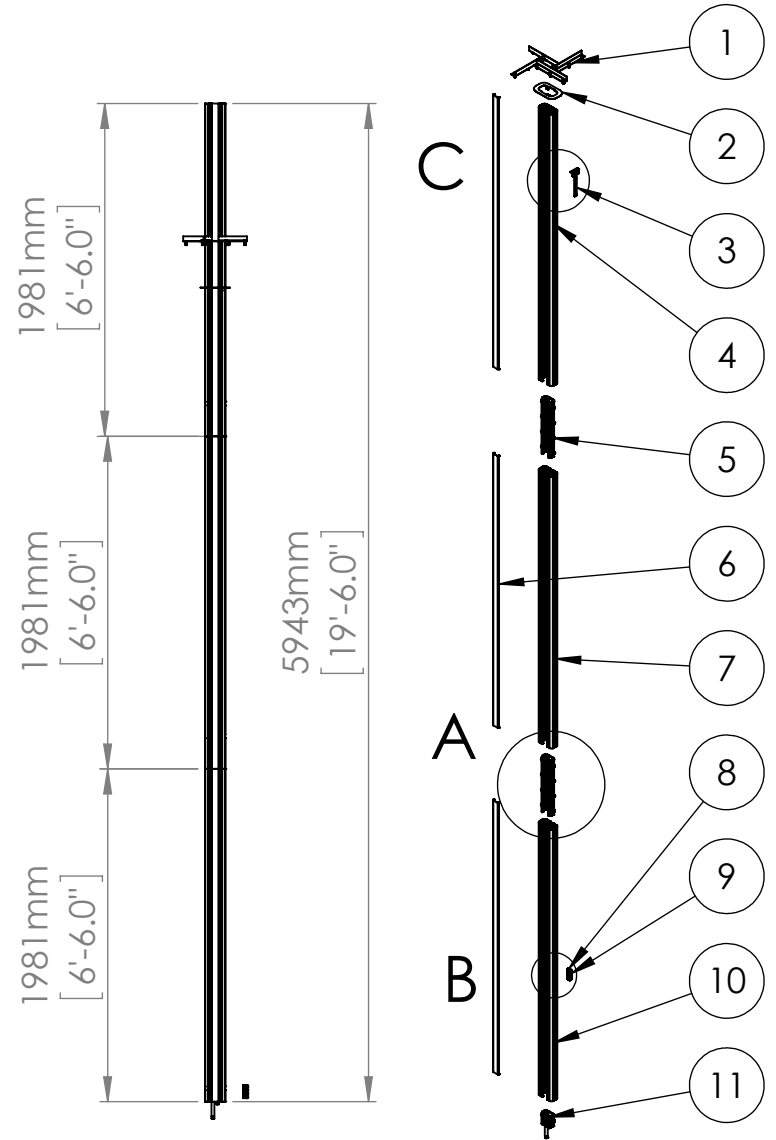
DETAIL B
SCALE 1 : 10



DETAIL C
SCALE 1 : 10

Retrofit jig to drill new holes if pole is resized

Extra nuts and screws for customer junction boxes



PROPRIETARY AND CONFIDENTIAL
THE INFORMATION CONTAINED IN THIS DRAWING IS THE SOLE PROPERTY OF MODTEC. ANY REPRODUCTION IN PART OR AS A WHOLE WITHOUT THE WRITTEN PERMISSION OF MODTEC IS PROHIBITED.

TOLERANCES
ALL TOLERANCES UNLESS OTHERWISE SPECIFIED:

X.XX ± 0.05
X.X ± 0.1
X ± 0.5



THIRD ANGLE PROJECTION

REVISIONS:

REV	DATE	DRAWN	REASON
3	09/11/2015	MG	Added second sheet
2	12/06/2015	MG	Added in extra bolts and retrofit jig
1	20/11/2013	MG	Corrected size of Apollo6's
0	12/11/2013	CN	First Issue

COMMENTS:

DIMENSIONS ARE IN MM DO NOT SCALE DRAWING

	NAME	DATE
DRAWN	MG	9/11/2015
CHECKED		
APPROVED	BD	12/06/2015
MATERIAL:		
FINISH:		
WEIGHT:		

INTEG INTERNATIONAL

DESCRIPTION: Integ, Apollo6 19.5ft Floor to Ceiling Pole (with 2 Joiners)

PART NUMBER: CHF-FC6-00

REVISION: 3

SCALE: 1:45

SHEET 2 OF 2

FILE NAME: CHF-FC6-00 Rev3 Integ, Apollo6 19.5ft Floor to Ceiling Pole (with 2 Joiners)