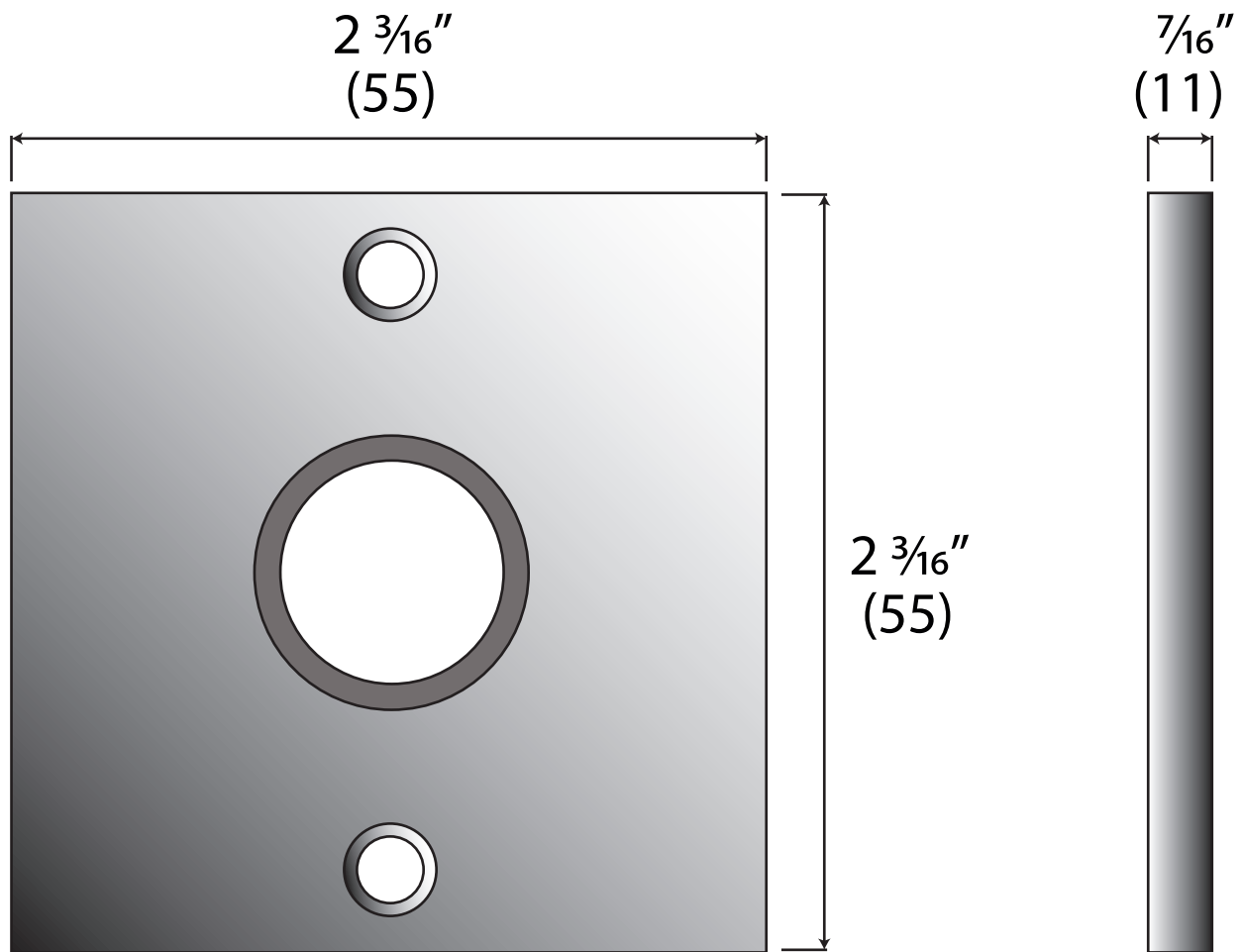


EXTERIOR TRIM



INTERIOR TRIM