

Heavy Duty Privacy Installation Instructions

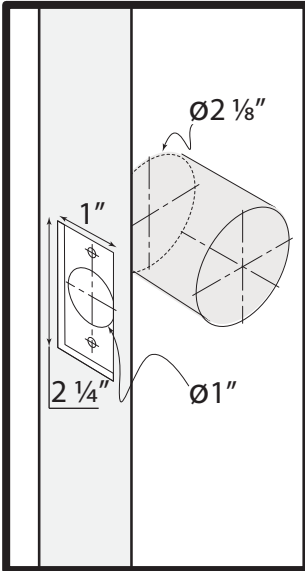
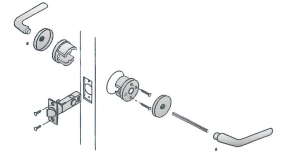


FIGURE 1
 Drill 2 1/8" hole at correct
 backset using included
 template

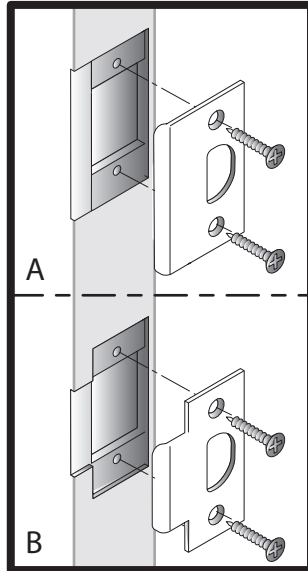


FIGURE 2
 Prepare frame for strike.
 A) 'D' Strike - 2 1/4" X / 1 1/16"
 B) 'T' Strike - 2 3/4" X / 1 1/8"

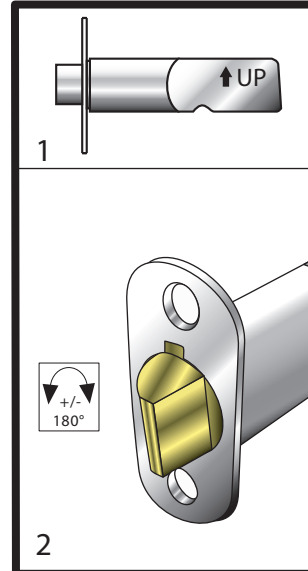


FIGURE 3
 1. Orient the latch so that
 the arrow points up
 2. Rotate the latch bolt to
 adjust for right or left
 hand door

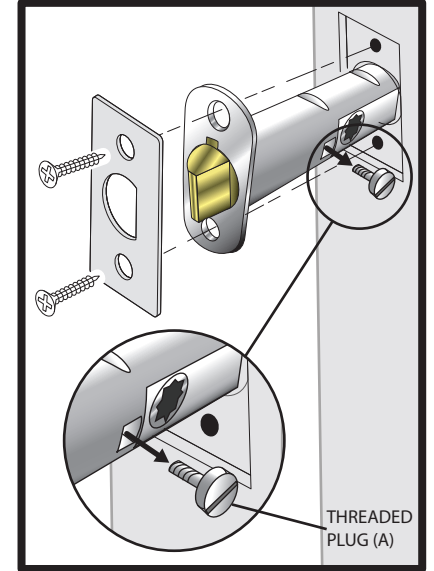


FIGURE 4
 1. Remove threaded plug (A)
 2. Install latch and faceplate into edge
 of door and tighten both face
 plate screws
 Faceplate: 1" X 2 1/4"

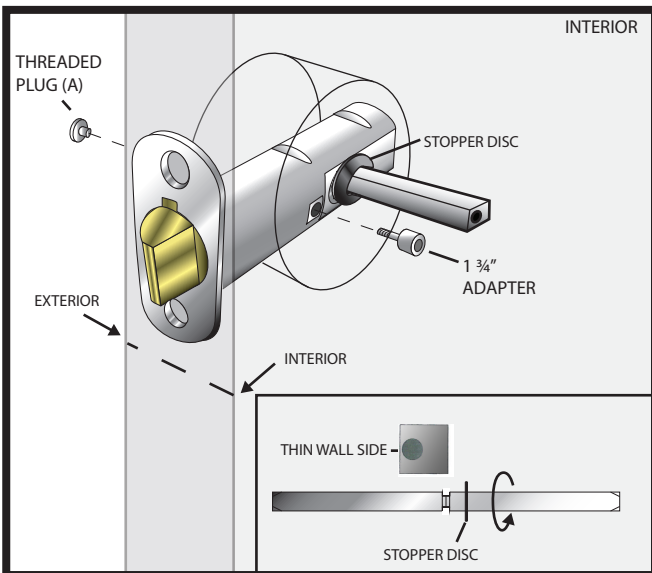


FIGURE 5
 1. For 1 3/4" doors, Install the adapter on the interior side of the
 door and tighten with a flat head screwdriver
 2. Before installing the spindle, unscrew it 2 turns from the fully
 tightened position, if the provided spindle does not have a
 center screw, skip to step 3
 3. The threaded plug A is installed opposite the adapter, facing
 the door's exterior
 NOTE: The spindle must be inserted into the latch such that
 the stopper disc rests against the latch on the interior side of
 the door, and that the thin wall side of the spindle will align
 with the levers' set screws

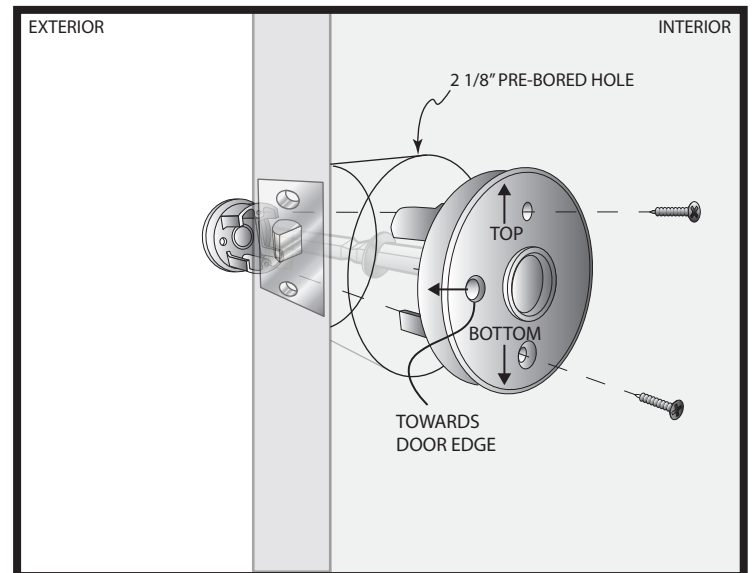


FIGURE 6
 1. Insert the sub rose into the 2 1/8" hole respecting the above
 orientation
 2. Place the levers onto the spindle but do not tighten the lever set
 screw the assembly will now be lined up
 3. Use the supplied screws (choose correct size based on door trim) and
 tighten into sub rose assembly
 Remove the levers

Heavy Duty Privacy Installation Instructions

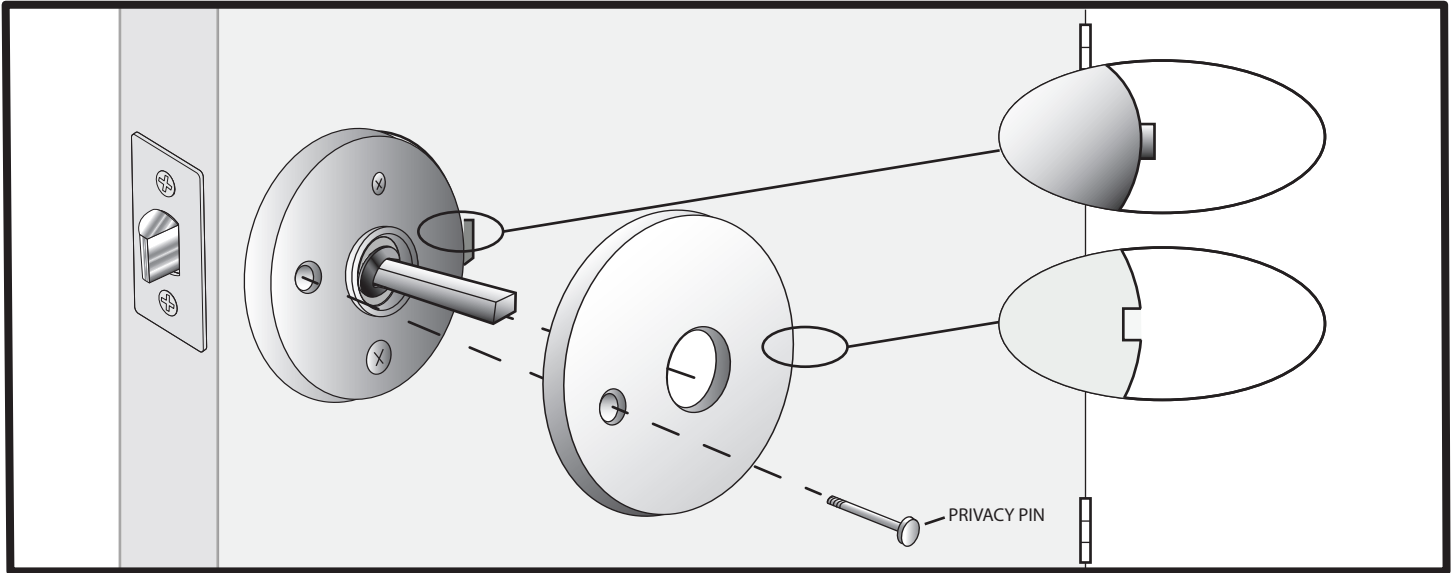
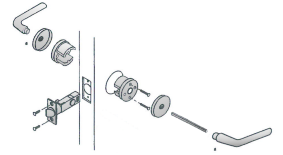


FIGURE 7

1. Snap metal cap onto both sides of the sub-rose paying attention to line up the tab on the sub-rose with the slot in the rose
2. Screw the privacy pin into the hole in the rose

FOR THE SIG204 SQUARE ROSE:

- A – Place the square rose on the spindle followed by the lever.
- B – Once the lever and rose are in position, take a carpenter's square and make sure that the rose is square with the door edge.
- C – With the rose perfectly squared, apply a little pressure to the rose so that the tacks leave small marks on the door.
- D – Remove the lever and rose, and drill the marked spots – this will allow the tacks to penetrate the door without bending. Use a drill bit size which is slightly smaller than the diameter of the tack.
- E – Once the holes are drilled, replace the rose and press it firmly into place. If necessary, gently tap the rose with a soft mallet. Protect the rose with a clean cloth to avoid scratching.
- F – Attach the lever and secure it in place by tightening the set screw. Remember to refer to the set screw instructions – in order to properly attach the lever, the set screw must pierce the spindle.

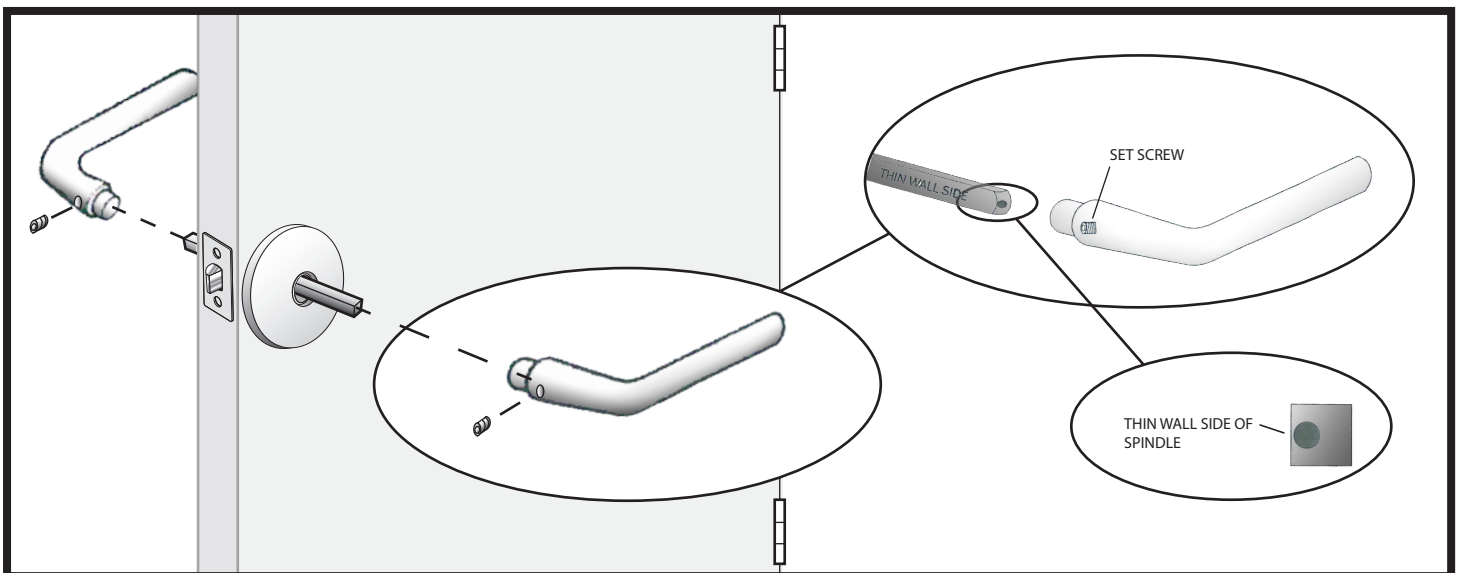


FIGURE 8

1. Place the levers on each side of the spindle and tighten each set screw until it pierces the thin wall side of the spindle. Note that the spindle **MUST** be installed such that the lever's set screw aligns with the **THIN WALL SIDE** of the spindle.
2. After piercing the spindle, keep tightening the set screw until it is firmly tightened