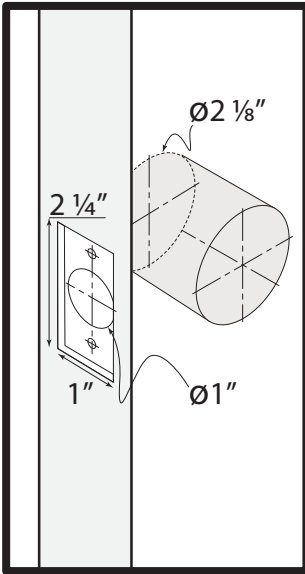
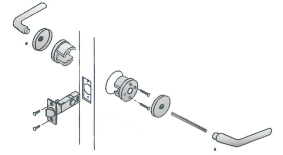
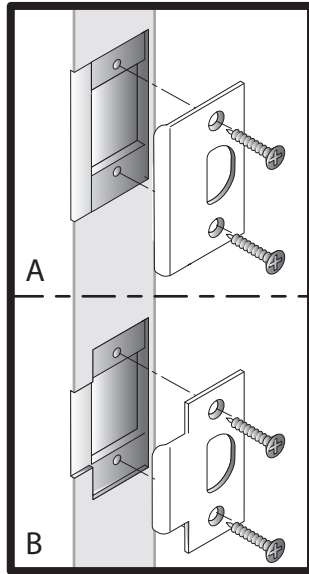


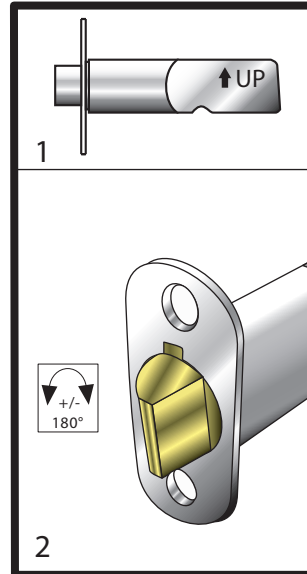
# Heavy Duty Passage Installation Instructions



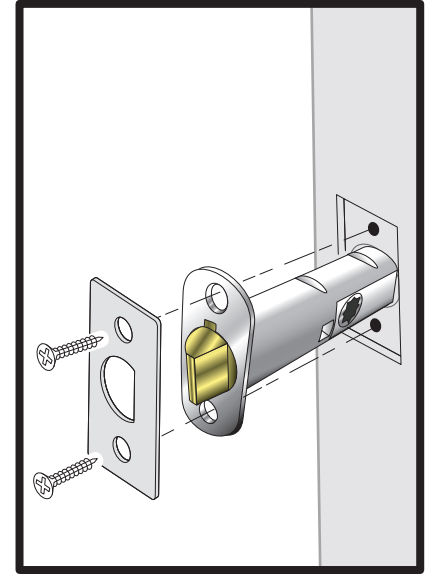
**FIGURE 1**  
 Drill 2 1/8" hole at correct  
 backset using included  
 template



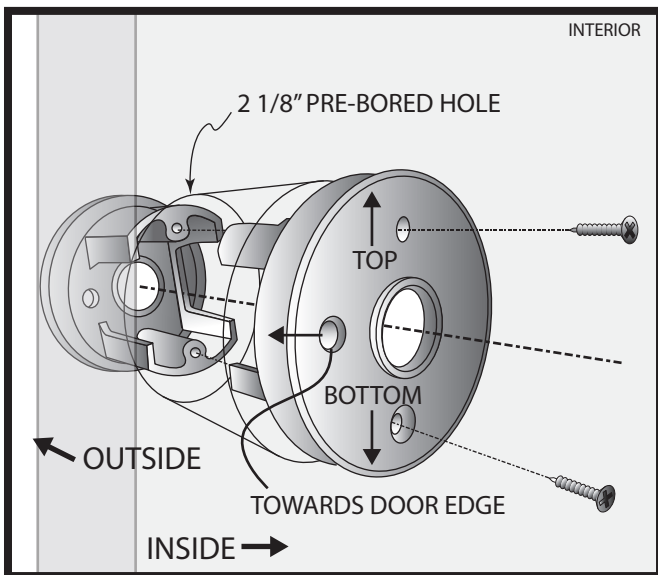
**FIGURE 2**  
 Prepare frame for strike.  
 A) 'D' Strike - 2 1/4" X / 1 1/16"  
 B) 'T' Strike - 2 3/4" X / 1 1/8"



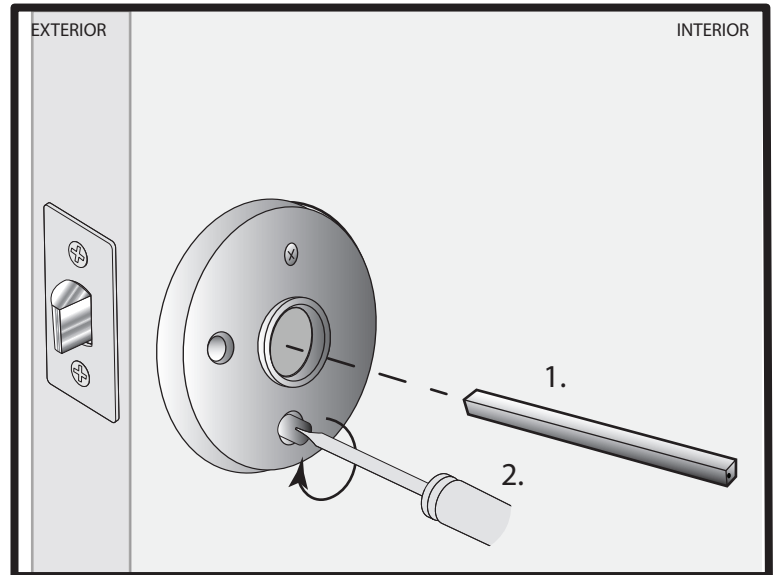
**FIGURE 3**  
 1. Orient the latch so that  
 the arrow points up  
 2. Rotate the latch bolt to  
 adjust for right or left  
 hand door



**FIGURE 4**  
 1. Install the latch and faceplate into  
 edge of the door and tighten both  
 face plate screws  
 Faceplate: 1"X2 1/4"



**FIGURE 5**  
 1. Insert the sub rose into the 2 1/8" hole respecting the above  
 orientation  
 2. Insert screws into subrose but do not tighten



**FIGURE 6**  
 1. Insert the spindle orienting the thin wall side towards the lever set  
 screw (see fig. #8)  
 2. Place the levers onto the spindle but do not tighten the lever set  
 screw, the assembly will now be lined up  
 3. Tighten the subrose screws  
 4. Remove the levers

# Heavy Duty Passage Installation Instructions

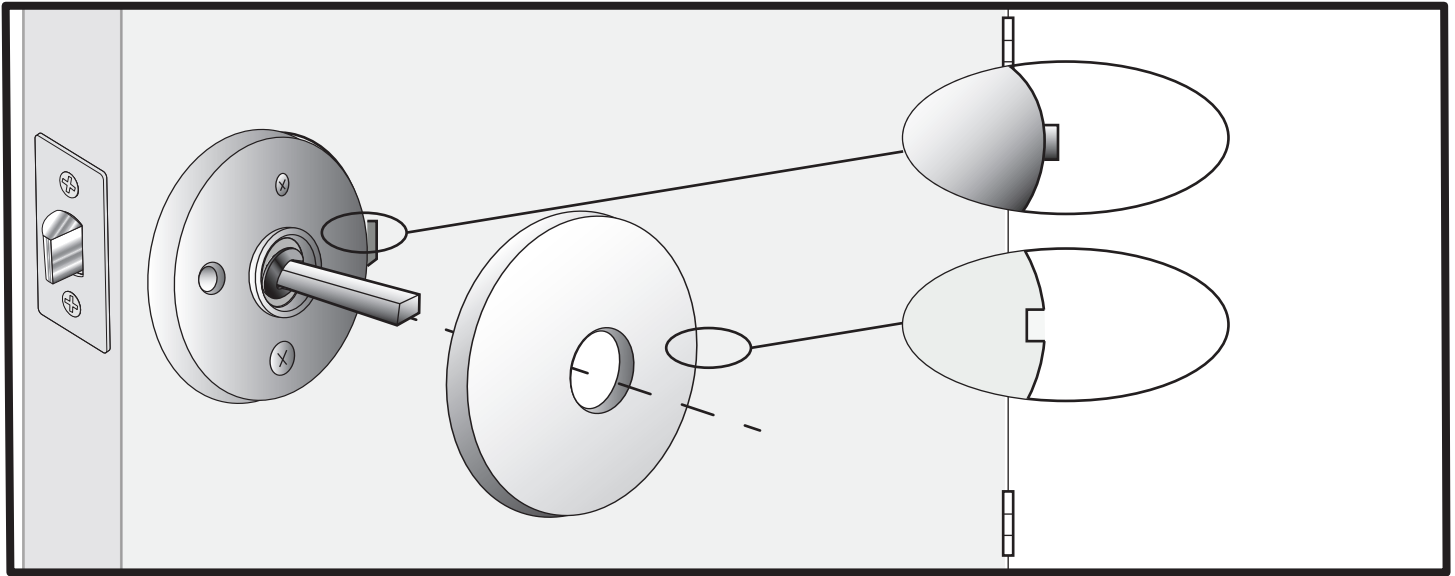
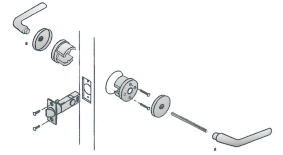


FIGURE 7

Snap the metal cap onto both sides of the sub-rose paying attention to line up the tab on the sub-rose with the slot in the rose

## FOR THE SIG204 SQUARE ROSE:

A – Place the square rose on the spindle followed by the lever.

B – Once the lever and rose are in position, take a carpenter's square and make sure that the rose is square with the door edge.

C – With the rose perfectly squared, apply a little pressure to the rose so that the tacks leave small marks on the door.

D – Remove the lever and rose, and drill the marked spots – this will allow the tacks to penetrate the door without bending. Use a drill bit size which is slightly smaller than the diameter of the tack.

E – Once the holes are drilled, replace the rose and press it firmly into place. If necessary, gently tap the rose with a soft mallet. Protect the rose with a clean cloth to avoid scratching.

F – Attach the lever and secure it in place by tightening the set screw. Remember to refer to the set screw instructions – in order to properly attach the lever, the set screw must pierce the spindle.

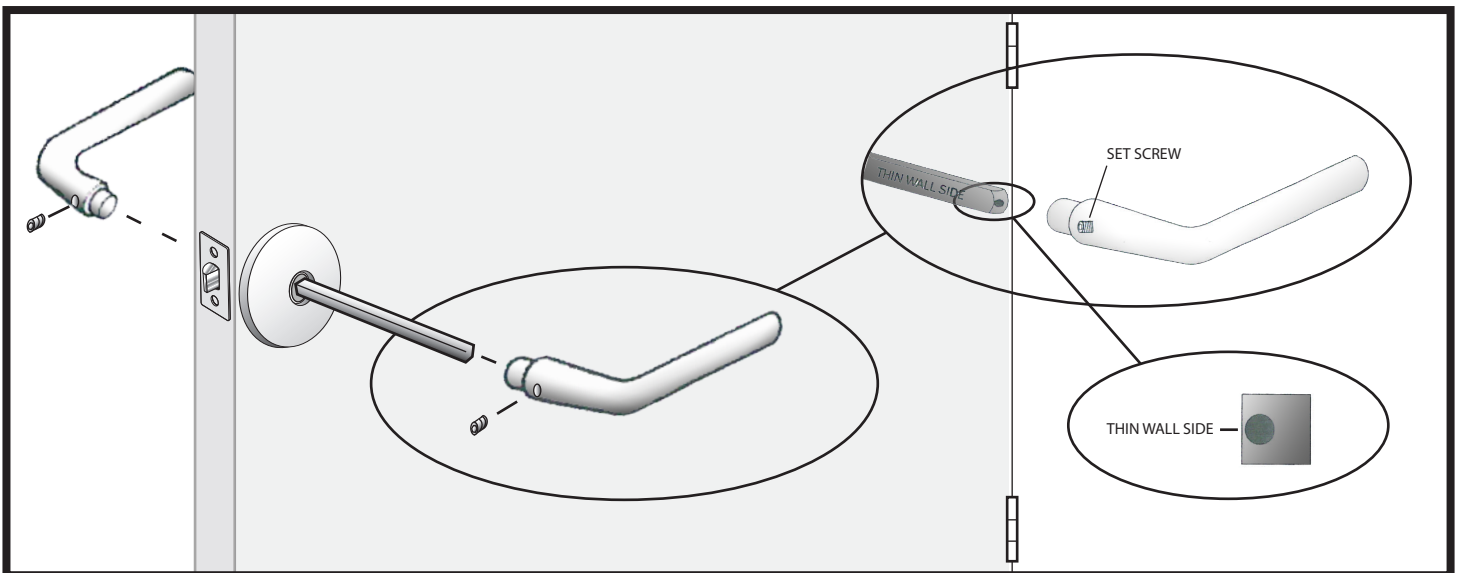


FIGURE 8

1. Place the levers on each side of the spindle and tighten each set screw until it pierces the thin wall side of the spindle. Note that the spindle **MUST** be installed such that the lever's set screw aligns with the **THIN WALL SIDE** of the spindle.
2. After piercing the spindle, keep tightening the set screw until it is firmly tightened