

# Towel rail 14 x 300 mm

Knud Holscher Collection

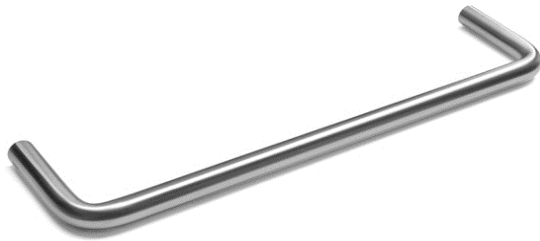
d line

## PRODUCT DATA SHEET

ITEM NUMBER	SURFACE
14.7050.02.305	Satin Stainless Steel
16.7050.01.301	Polished stainless steel

**PRODUCT**  
Towel rail 14 x 300 mm, bush, Satin finish

### PICTURE



### TENDER TEXT

Pull handle. Outstanding classic danish design by Knud Holscher. Material: stainless steel AISI 316 satin finish, bush. Radius:  $\varnothing 14$ . W:314 mm x H:14 mm x D:75 mm.

### PRODUCT SPECIFICATION

Dimensions: W:314 mm x H:14 mm x D:75 mm.

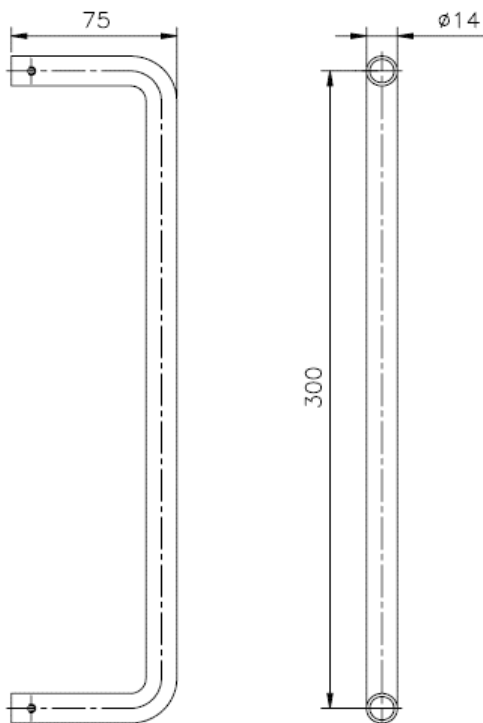
Radius: $\varnothing 14$

Material: stainless steel AISI 316

Surface finish: satin grain 320, crafted by hand

Warranty for stainless steel (non movable ) parts - 20 years

### DRAWING



### SPARE PARTS / ACCESSORIES:

P0000000170 Bush and grubscrew  
P0000000451 screw and plug

### MOUNTING:

See instruction supplied with the product

### PACKING:

1pcs in a bag, 15 pcs per box

### PRODUCT CARE

d line products are produced in the highest quality stainless steel, marine grade, AISI 316. To sustain the unique d line finish appearance please follow the below instructions:

- Wash down the surfaces using soapy water or mild detergent
- Always thoroughly rinse off with clean water
- To complete the cleaning procedure dry/polish the surfaces with a soft dry cloth

Please do not use scouring powder, steel wool, chloride based detergents or other aggressive cleaning products as these may damage the surface.

If spots or corrosion appear on the surface it is not due to the stainless steel quality, but to impurities in the environment, aggressive conditions or improper or insufficient cleaning.

# Towel rail 14 x 450 mm

Knud Holscher Collection

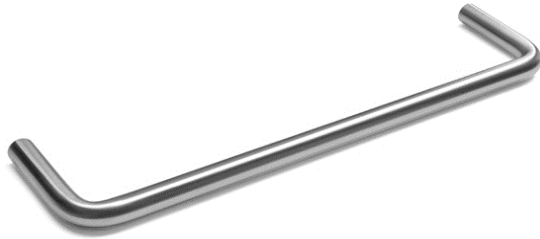
d line

## PRODUCT DATA SHEET

ITEM NUMBER	SURFACE
14.7050.02.453	Satin Stainless Steel
16.7050.01.450	Polished stainless steel

**PRODUCT**  
Towel rail 14 x 450 mm, bush, Satin finish

### PICTURE



### TENDER TEXT

Pull handle. Outstanding classic danish design by Knud Holscher. Material: stainless steel AISI 316 satin finish, bush. Radius: Ø14. W:464 mm x H:14 mm x D:75 mm.

### PRODUCT SPECIFICATION

Dimensions: W:464 mm x H:14 mm x D:75 mm.

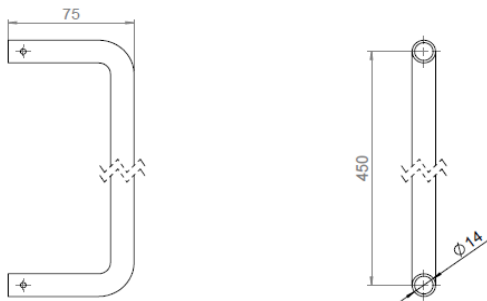
Radius:Ø14

Material: stainless steel AISI 316

Surface finish: satin grain 320, crafted by hand

Warranty for stainless steel (non movable ) parts - 20 years

### DRAWING



### SPARE PARTS / ACCESSORIES:

P0000000170 Bush and grubscrew

P0000000451 screw and plug

### MOUNTING:

See instruction supplied with the product

### PACKING:

1pcs in a bag, 15 pcs per box

### ISO-DRAWING



### PRODUCT CARE

d line products are produced in the highest quality stainless steel, marine grade, AISI 316. To sustain the unique d line finish appearance please follow the below instructions:

- Wash down the surfaces using soapy water or mild detergent
- Always thoroughly rinse off with clean water
- To complete the cleaning procedure dry/polish the surfaces with a soft dry cloth

Please do not use scouring powder, steel wool, chloride based detergents or other aggressive cleaning products as these may damage the surface.

If spots or corrosion appear on the surface it is not due to the stainless steel quality, but to impurities in the environment, aggressive conditions or improper or insufficient cleaning.

# Towel rail 14 x 650 mm

Knud Holscher Collection

d line

## PRODUCT DATA SHEET

ITEM NUMBER	SURFACE
14.7050.02.658	Satin Stainless Steel
16.7050.01.654	Polished stainless steel

**PRODUCT**  
Towel rail 14 x 650 mm, bush, Satin finish

### PICTURE



### TENDER TEXT

Pull handle. Outstanding classic danish design by Knud Holscher. Material: stainless steel AISI 316 satin finish, bush. Radius: Ø14. W:664 mm x H:14 mm x D:75 mm.

### PRODUCT SPECIFICATION

Dimensions: W:664 mm x H:14 mm x D:75 mm.

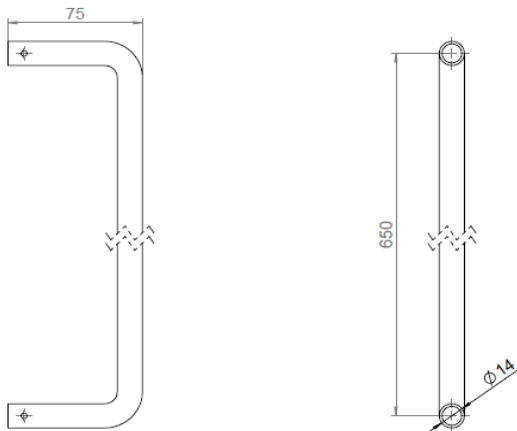
Radius:Ø14

Material: stainless steel AISI 316

Surface finish: satin grain 320, crafted by hand

Warranty for stainless steel (non movable ) parts - 20 years

### DRAWING



### SPARE PARTS / ACCESSORIES:

P0000000170 Bush and grubscrew

P0000000451 screw and plug

### MOUNTING:

See instruction supplied with the product

### PACKING:

1pcs in a bag, 15 pcs per box

### ISO-DRAWING



### PRODUCT CARE

d line products are produced in the highest quality stainless steel, marine grade, AISI 316. To sustain the unique d line finish appearance please follow the below instructions:

- Wash down the surfaces using soapy water or mild detergent
- Always thoroughly rinse off with clean water
- To complete the cleaning procedure dry/polish the surfaces with a soft dry cloth

Please do not use scouring powder, steel wool, chloride based detergents or other aggressive cleaning products as these may damage the surface.

If spots or corrosion appear on the surface it is not due to the stainless steel quality, but to impurities in the environment, aggressive conditions or improper or insufficient cleaning.