

COMPONANCE

VS GLASS MOUNTED SERIES

Installation instructions

PLEASE READ!

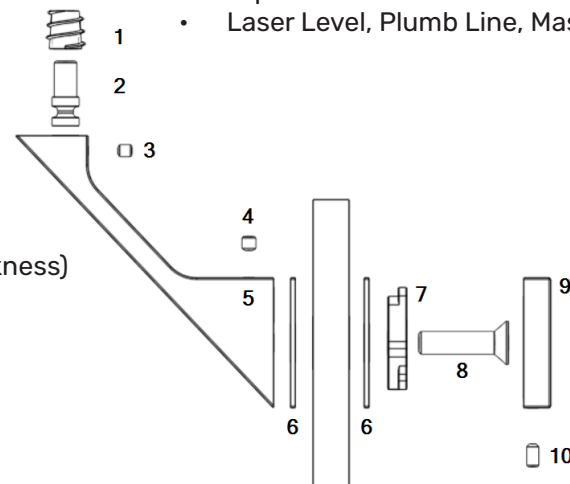
PRECISION INSTALLATION REQUIRED

All Componance handrail brackets have been meticulously designed to be as beautiful as possible without compromising strength. It is imperative that these instructions are strictly adhered to, to ensure a smooth and accurate installation experience and result. Failure to use precision tools to mark and drill mounting holes may cause misalignment for final handrail mounting onto brackets. Use the tried and true "Measure twice, drill once" philosophy.

PARTS LIST

Note: As we have taken steps to ensure that the correct qty of parts have been shipped with your order, it is the receiver's responsibility to ensure all parts are kept together and stored in a safe place, ready for installation. There is a limit of 14 days from the delivery date to contact us for any discrepancies with your order.

- 1 x 5/16" Threaded Wood Insert
- 1 x Rail Anchor
- 1 x #8-32-3/16" Set Screw
- 1 x 10-32-3/16" Set Screw (decorative)
- 1 x VS Handrail Bracket
- 2 x Neoprene Gaskets (1 with adhesive)
- 1 x Custom Glazing Cleat
- 1 x 5/16-18 FHCS (Length determined by glazing thickness)
- 1 x Cleat Cap cover
- 1 x 8-32-5/16" Set Screw
- *1 x 5/64" Allen Wrench
- *1 x 3/32" Allen Wrench
- * Not Shown



ORDER OF OPERATIONS OVERVIEW

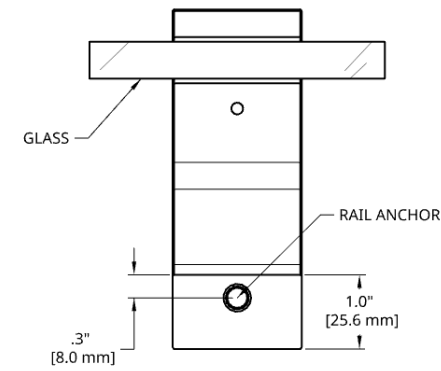
1. Remove adhesive cover from gasket and apply sticky surface to back of bracket - ensure gasket is properly aligned
2. Gently fasten bracket to glass - ensure there is a gasket on each side of glass and that they are aligned - fasten in place using the 5/16" FHCS and glazing cleat
3. Align/level brackets on glass - using a plumb line, laser leveler and masking tape - align the bottoms of the brackets and tighten into place. *snapping a line may be done prior to beginning the installation process
4. Mark and install ONLY one Rail Anchor into handrail
5. Temporarily mount rail onto first bracket to mark all other Rail Anchor locations
6. Precisely mark all Rail Anchor locations & predrill holes in handrail
7. Install Threaded Wood Inserts and Rail Anchors into handrail

TOOLS REQUIRED

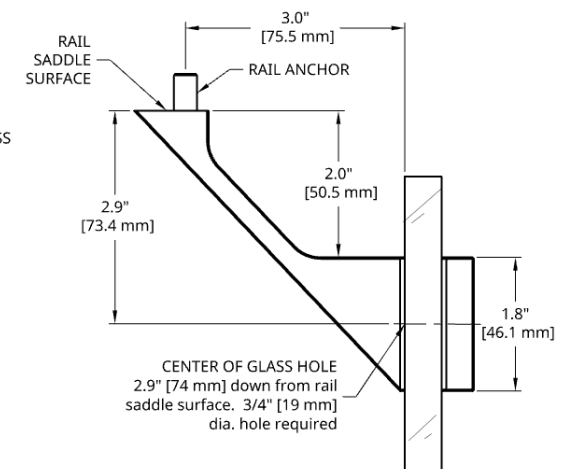
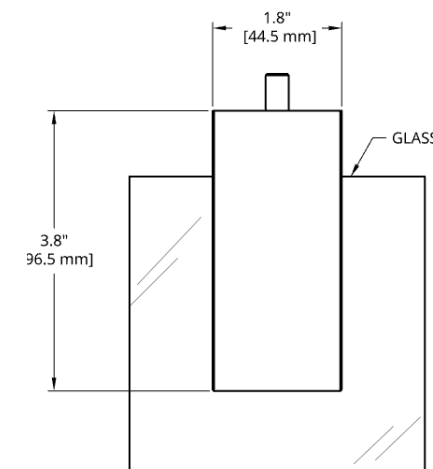
- 7/16" Drill Bit (Brad Point or Forstner bit recommended)
- Hole Punch
- Drill
- Level
- Small Square
- Tape Measure
- Laser Level, Plumb Line, Masking Tape

NOTES:

- Product specification: VS-GLASS-(color)
- 3/4" (19mm) dia. hole in glazing required
- Centre of glass hole 2.92" (74mm) down from rail saddle surface
- Glass thickness to be specified when ordering
- Maximum spacing distance 48" o.c. (1220mm)
- Rail must be flat where it comes in contact with the brackets
- Dimension precision .1
- www.componance.com
- info@componance.com



Specification sheets available for download at componance.com



Bracket Installation & Alignment: Brackets may be aligned using the bottom of the brackets as a reference. The center of the 5/16" FHCS (and 3/4" hole in glass) is .91" (23mm) from the bottom surface of the bracket (**figure 1**). **These points can be used to snap and/or tape an accurate leveling line in order to align each bracket.**

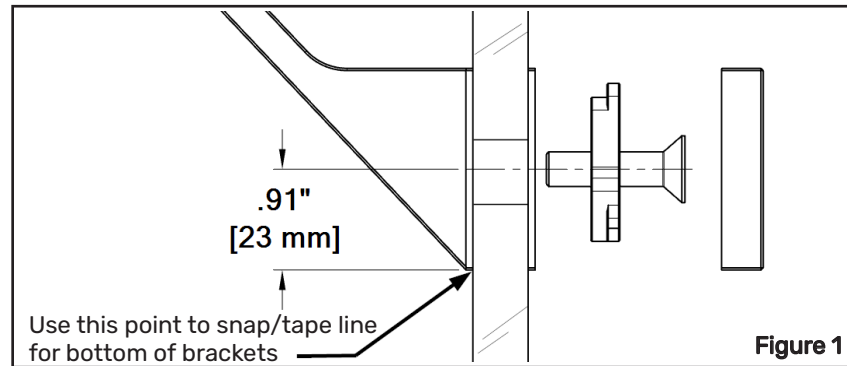


Figure 1

Once you have snapped your reference line you may install the brackets onto the glass. Do not over tighten on the initial set up as some adjustment may be required. To install the bracket on the glass:

- Remove the adhesive backing from a gasket and **apply the sticky surface to the back of the bracket (Note: the gasket on the other side of the glass does not have a sticky surface)**. Note: be sure to align the edges of the gasket properly (they are taller than wide) and the location of the hole to match that on the bracket. **Figure 2.**

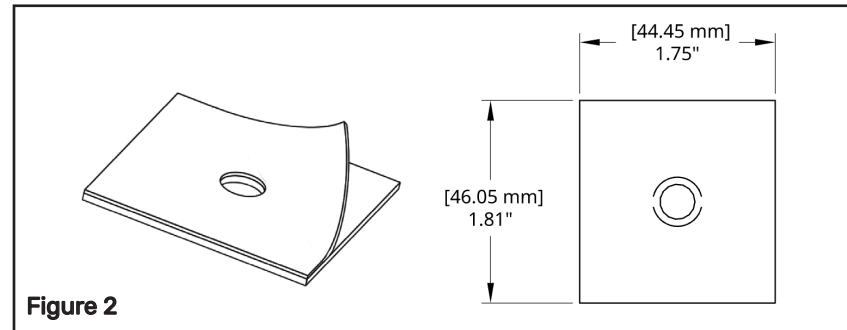


Figure 2

- Fasten the brackets to the glass. On the opposite side of the glass from the bracket, align the second gasket (There should be no adhesive on this gasket) and fasten assembly together with the glazing cleat (part #7) and the 5/16" FHCS (part #8). Align the bottom of the gaskets/brackets to the snapped/taped reference line. Tighten just enough to keep the brackets in place to support the rail as they may need to be adjusted - once the rail is in place a final adjustment and tightening can be

Marking The First Rail Anchor Location: *CRITICAL STEP*

Now that all the brackets are mounted to the glass surface, it's time to precisely mark the pilot hole locations for the rest of the Threaded Wood Inserts used to install the Rail Anchors. The first step is to locate and mark the first Rail Anchor position at one end of the Handrail being installed which will assist in locating all the other Rail Anchor positions on the handrail. If installing on a slope (not on a landing), we recommend using the upper most bracket as the as the master.

Using a sharp pencil, lightly mark a straight line down the length of the bottom of the handrail to represent where the rail is going to be mounted on the brackets (**figure 3**). Ensure adherence to local building codes in respect to finger spacing between the handrail and all surface (**figure 4**). We recommend that a "Center Punch Marking Gauge" is used to create a depressed mark that will assist in accurately guiding the drill bit in the next step.

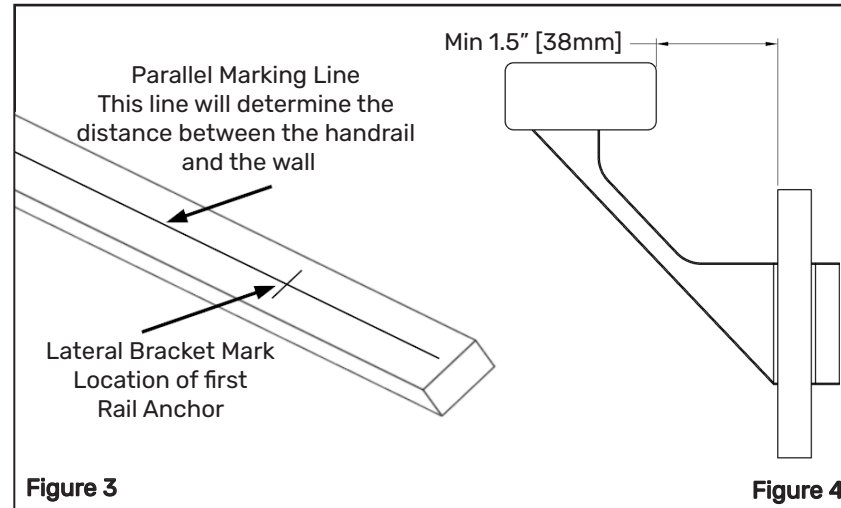


Figure 3

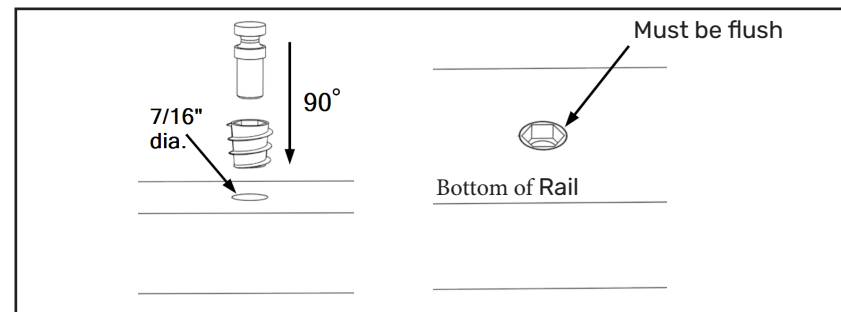
Figure 4

Threaded Wood Insert & Rail Anchor Installation:

Once the first Rail Anchor position is marked, drill a properly aligned 7/16" (11mm) pilot hole to min. depth of 1/2" (12mm). Clear away any burrs or rough edges.

Using the supplied 5/16" (8mm) Allen Wrench, install a Threaded Wood Insert into the pilot hole. When installed, the Threaded Wood Insert must be flush to the surface. Use the long end of the Allen Wrench to gently force the Threaded Wood Insert into proper orientation if required.

Screw in a Rail Anchor. Hand tight is sufficient. Do not use pliers as they may mar or damage the Rail Anchor.



Marking Remaining Rail Anchor Pilot Holes:

With the first Rail Anchor installed, place the handrail onto the brackets by mounting the single installed Rail Anchor into the first bracket. If installing on a slope (not on a landing), we recommend using the upper most bracket in order to allow gravity to assist in the alignment of the rail onto the other brackets. You may be able to make adjustments to the other brackets at this point if required. If necessary make any bracket adjustments and tighten firmly into place.

With the brackets in place, choose a side of each bracket and, with a sharp pencil, mark where each of the brackets meets the rail (**figure 5**). Be consistent with the side chosen. Once marked, remove the handrail, place upside down and, remembering which side of the brackets were marked, measure 7/8" (22.2mm) from each mark in the direction the bracket is being mounted (be sure to use a square) (**figure 6**). The point where these two lines converge represents the center of each bracket and the location for each pilot hole to be drilled. Repeat steps 1-3 in the above (Threaded Wood Insert & Rail Anchors Installation)

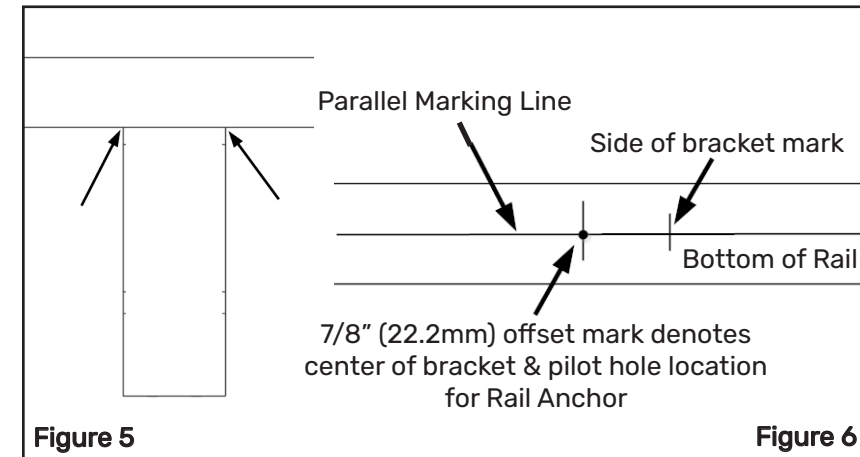


Figure 5

Figure 6

Final Handrail Installation: Install the Threaded Wood Inserts and Rail Anchors as per previous instructions. Before placing the rail on the brackets, partially screw in the #8 set screws (part #3) into the upper portion of the bracket to aid in final installation. Place the rail onto the brackets, ensure a clean and level fit and tighten #8 set screws to firm the rail into place. Once all brackets are tightened and the rail in place, cover the exposed glazing cleat with the Cleat Cap (part # 9) and secure into place with #8 set screw (part #10).

If further support is required, please call or email:

Componance

p. 1-604-771-5128

e. info@componance.com