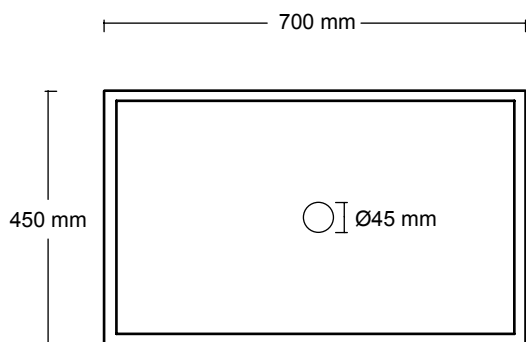


Cast Concrete Elements

WASHBASIN





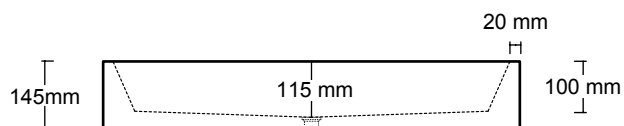
TRACCIA

70 x 45 CM

H: 14.5 CM

▲ 37 KG

design by Valentino Marengo
2017





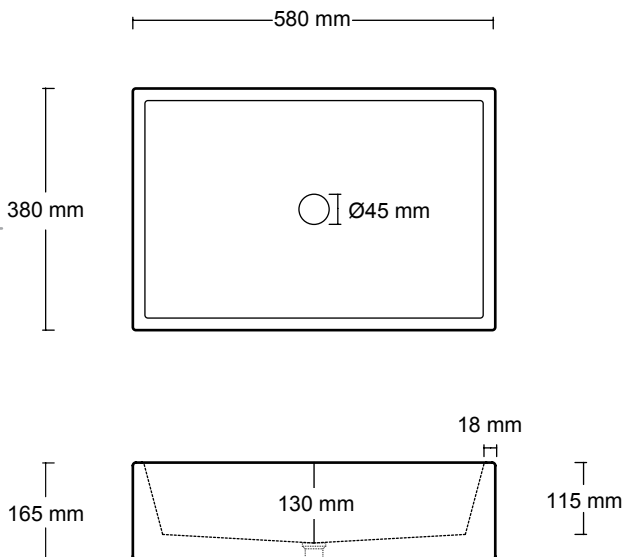
OMBRA

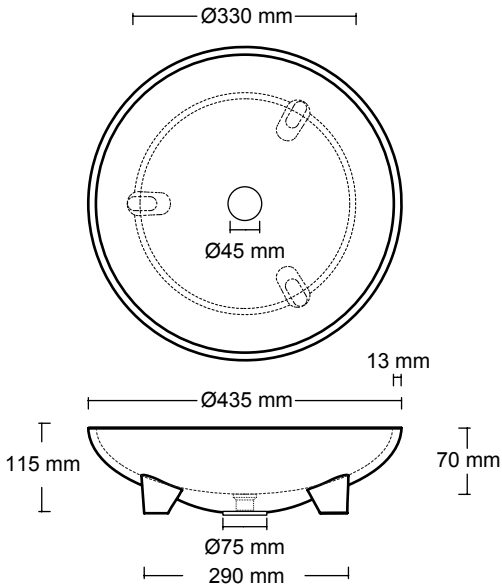
58 x 38 CM

H: 16.5 CM

⚠ 30KG

design by Valentino Marengo
2017





CALDERA

D: 43.5 CM
BASE: 33 CM
H: 11.5 CM

⚠ 10KG

design by Valentino Marengo
2017

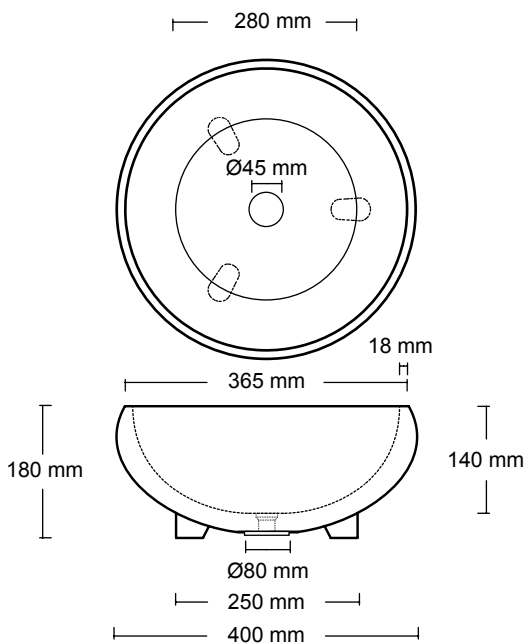


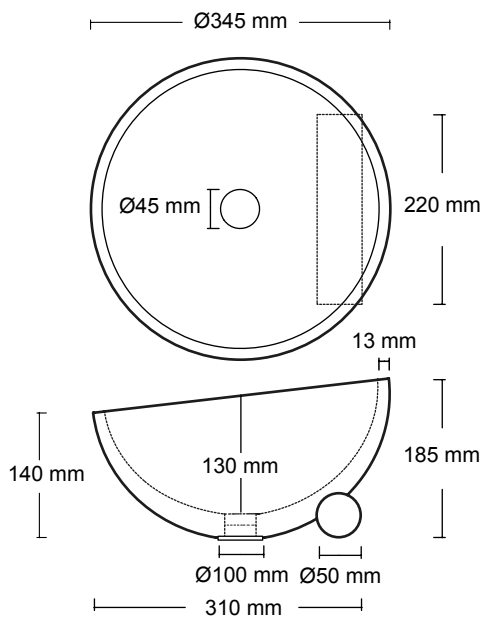
BULBO

D: 40 x 36.5
BASE: 28 CM
H: 18 CM

14.5 KG

design by Valentino Marengo
2017





OBLIQUO

D: 34.5 CM
H: 18.5 x 14 CM

9 KG

design by Valentino Marengo
2017



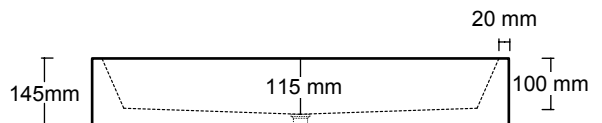
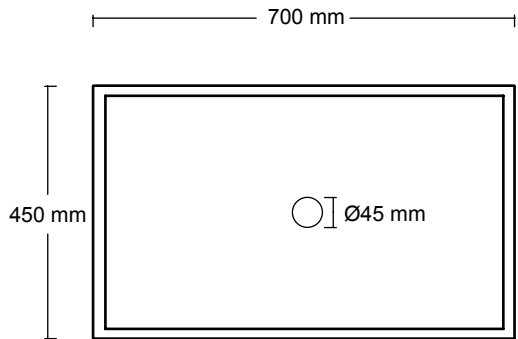
IMMISSIO 70

70 x 45 CM

H: 14.5 CM

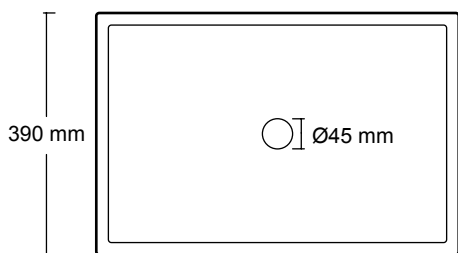
⚖ 37 KG

design by Valentino Marengo
2017





590 mm



IMMISSIO 60

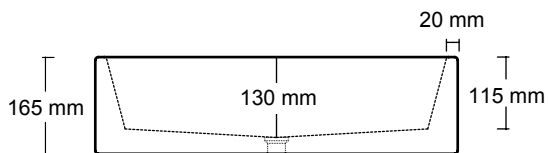
59 x 39 CM

H: 16.5 CM

⚖ 32 KG

design by Urbi et Orbi

2012



IMMISSIO 40

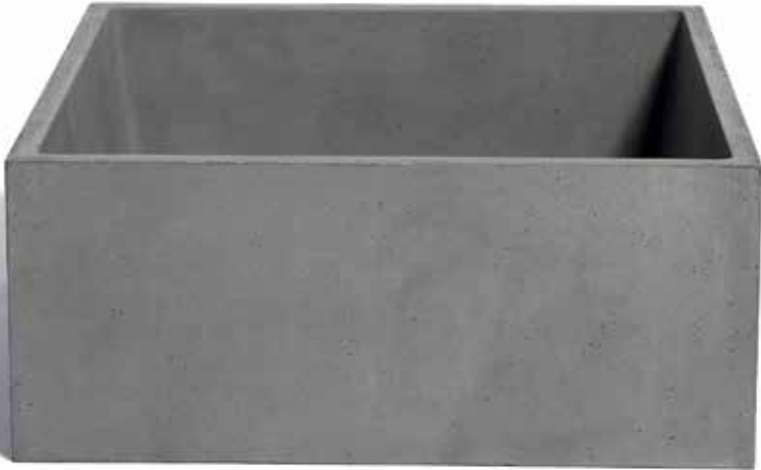
38.5 x 38.5 CM

H: 16 CM

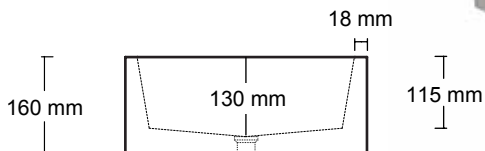
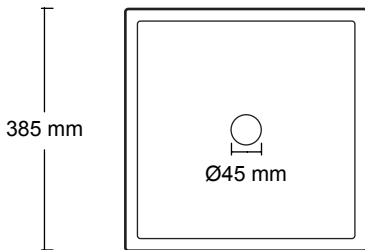
⚠ 20 KG

design by Urbi et Orbi

2012



385 mm





IMMISSIO 45

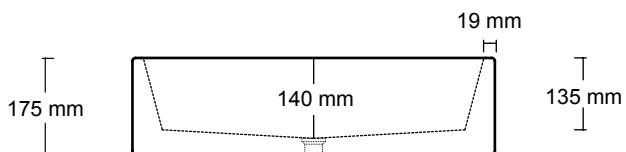
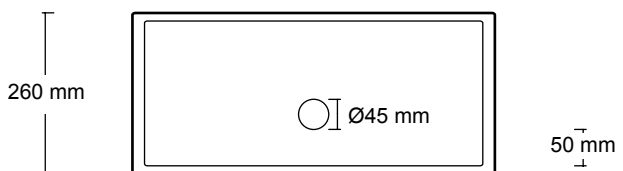
45 x 26 CM

H: 17.5 CM

17.5 KG

design by Urbi et Orbi
2017

450 mm



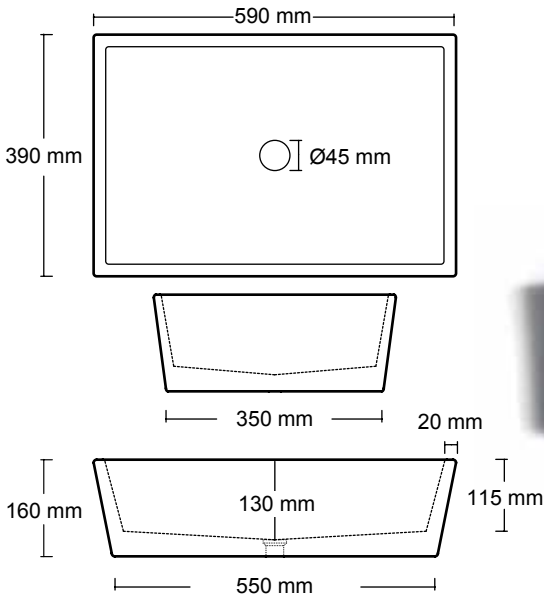
CONICIS 60

59 x 39 CM

H: 16 CM

⚖ 27 KG

design by Urbi et Orbi
2013





CONICIS 40

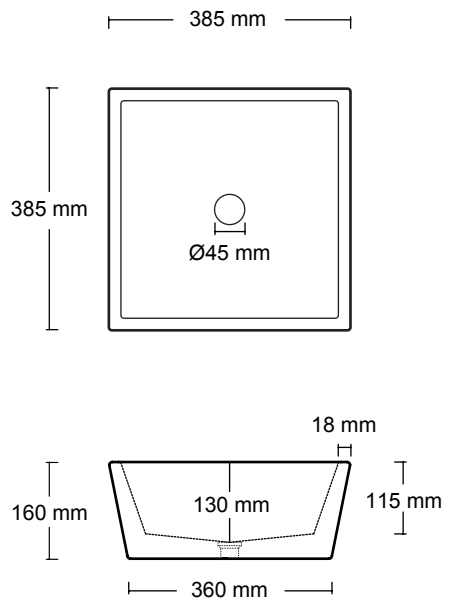
38.5 x 38.5 CM

H: 16 CM

19 KG

design by Urbi et Orbi

2013





INVIVO 60

58.5 x 38.5 CM

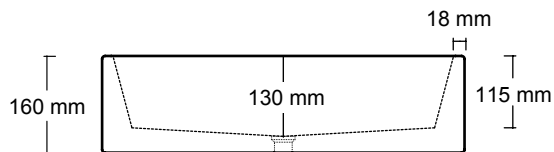
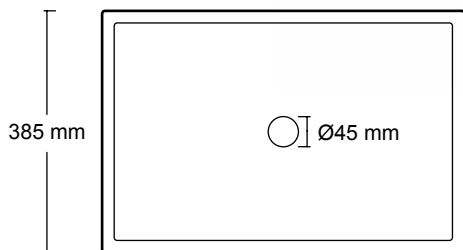
H: 16 CM

⚖ 30 KG

design by Urbi et Orbi
2013

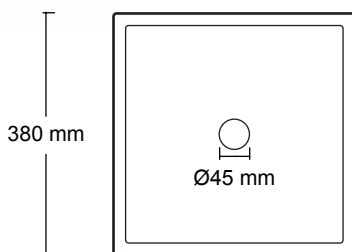


585 mm





380 mm



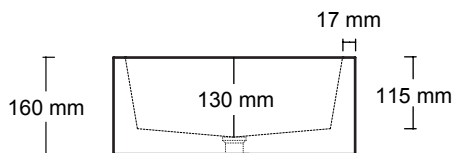
INVIVO 40

38 x 38 CM

H: 16 CM

20 KG

design by Urbi et Orbi
2013



CIRCUM 42

D: 42 CM

H: 11.5 CM

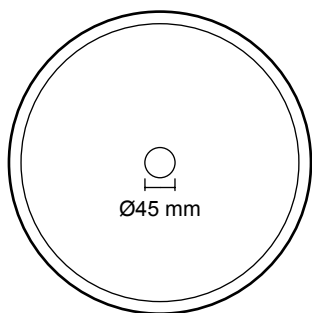
⚖ 12 KG

design by Urbi et Orbi

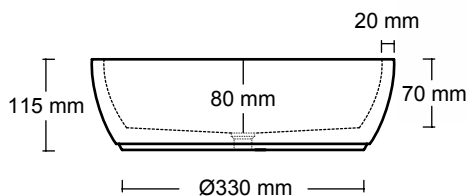
2013



Ø420 mm



Ø45 mm



115 mm

80 mm

20 mm


70 mm

Ø330 mm

CIRCUM 48

D: 48 CM

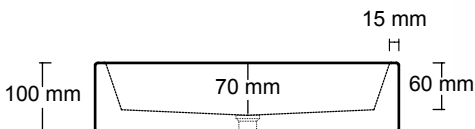
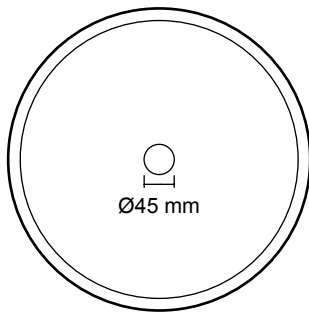
H: 10 CM

 15.5 KG

design by Urbi et Orbi
2013



Ø480 mm





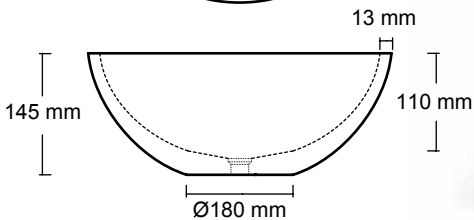
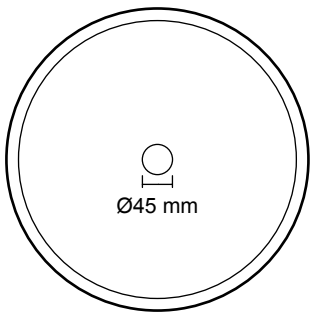
CIRCUM 40

D: 40 CM
H: 14.5 CM

⚖ 9.5 KG

design by Urbi et Orbi
2012

Ø400 mm





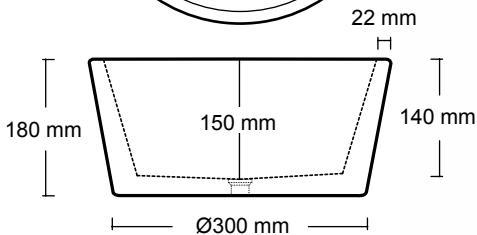
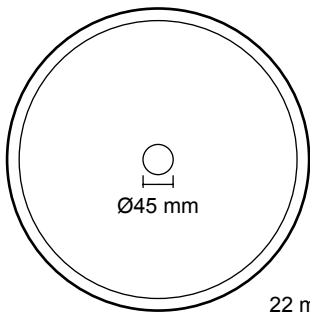
CIRCUM 3817

D: 38 CM
BASE: 30 CM
H: 18 CM

⚖ 11.5 KG

design by Urbi et Orbi
2013

Ø380 mm



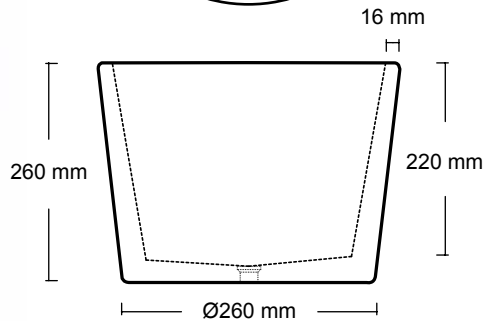
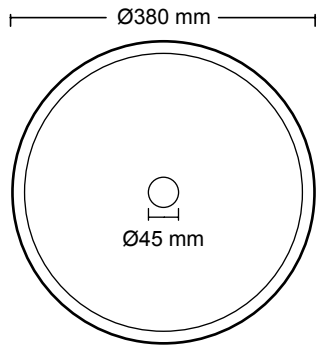


CIRCUM 3826

D: 38 CM
BASE: 26 CM
H: 26 CM

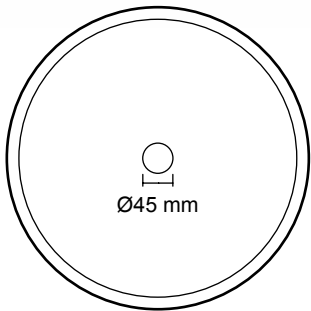
⚖ 11 KG

design by Urbi et Orbi
2013





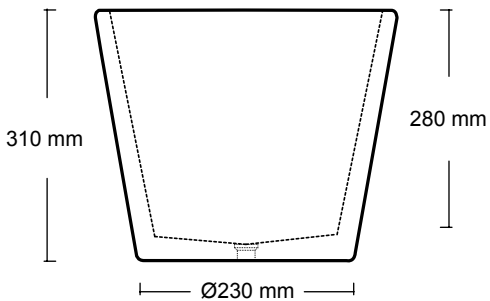
Ø380 mm



Ø45 mm

16 mm

H



310 mm

280 mm

Ø230 mm

CIRCUM 3831

D: 38 CM

BASE: 23 CM

H: 31 CM

12 KG

design by Urbi et Orbi
2013

Urbi et Orbi

Cast concrete elements

Our people ... a team created at random...
since then though , nothing has been left to chance.

Urbi et Orbi Studio

In co-operation with:

2vlo Design team

Venetsanos Dimitris / Architect

Raptis Konstantinos / Architect

Papadopoulos Polivios / Architect

Raptis Elias / graphics

Valentino Marengo / product designer & visual artist

All rights reserved."Urbi et Orbi" brand and logos are registered trademarks. The industrial models of the product, the designation and the product photos are protected by the applicable copyright laws.

Urbi et Orbi reserves the right, in order to improve the capacities of the products, to make modifications to them, as if reference the raw materials, dimensions, weight, qualities or features, without prior notice.



Urbi et Orbi

S : www.urbietorbi.gr

E : info@urbietorbi.gr

T : 0030 210 4520178

Cast Concrete Elements