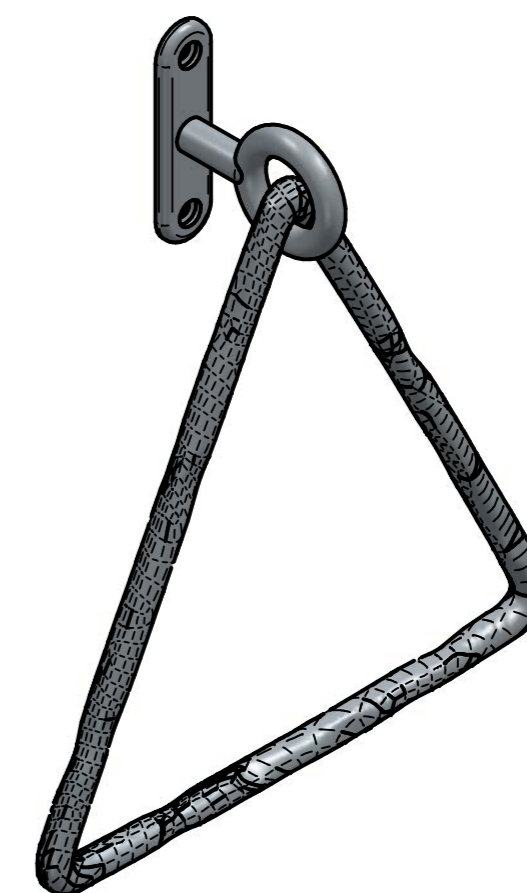
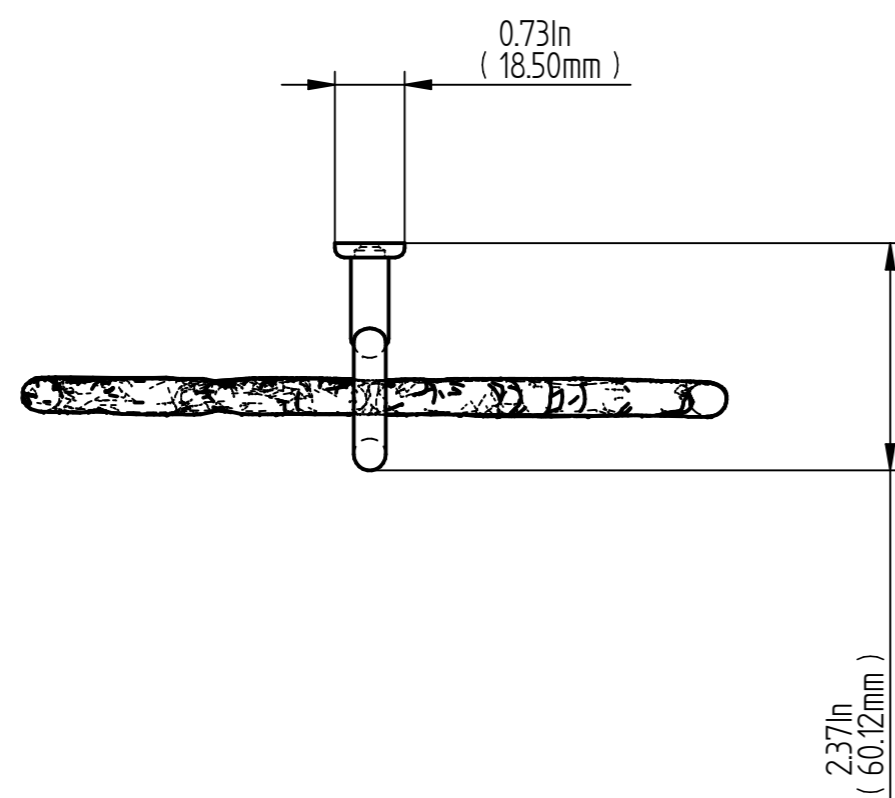
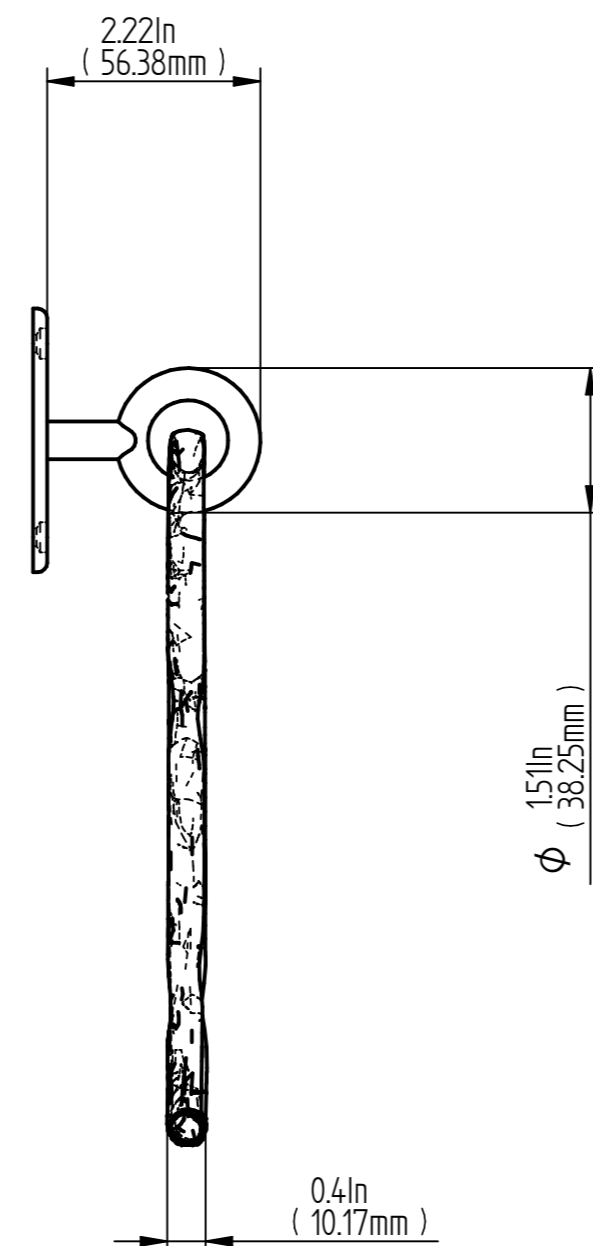
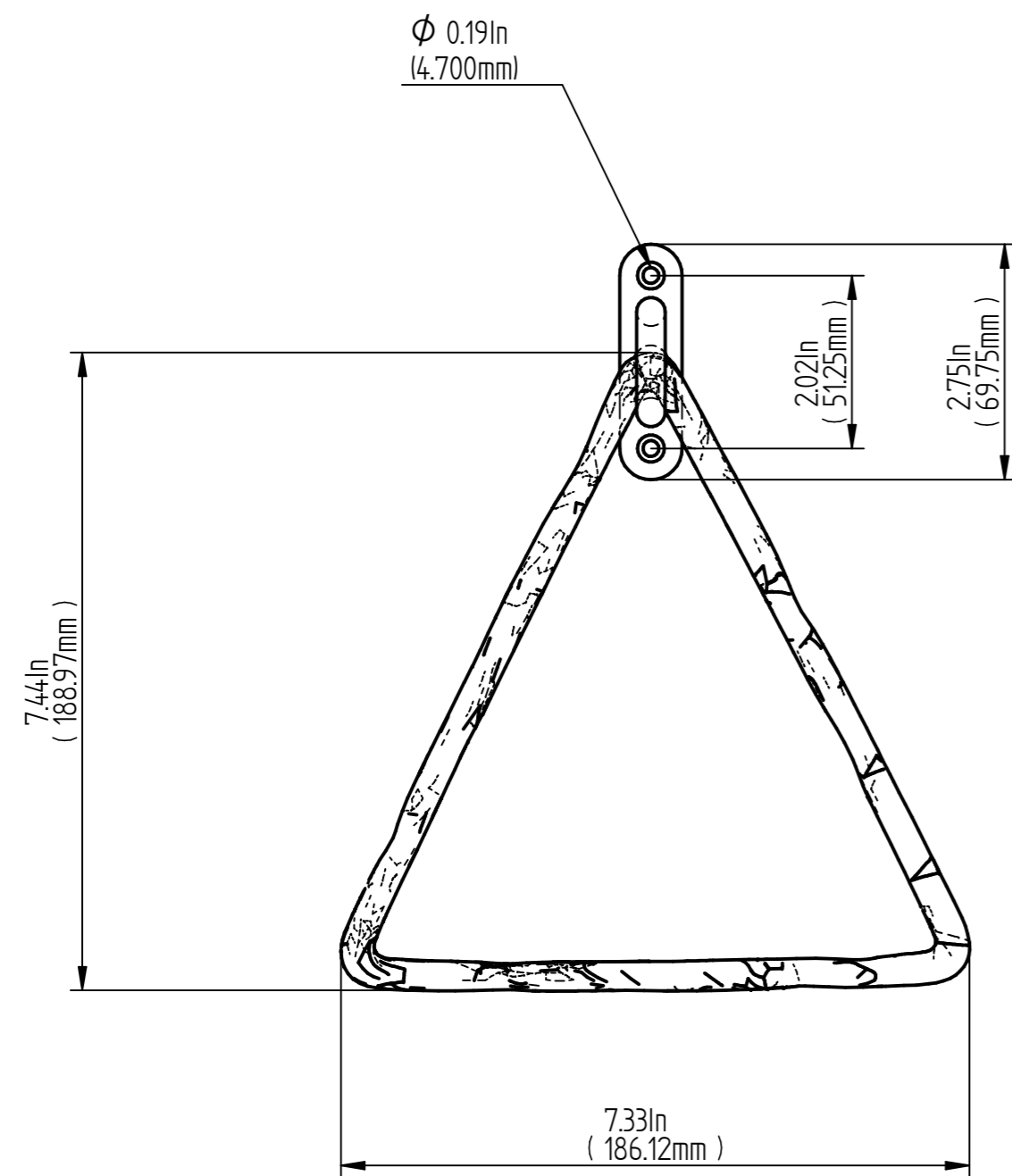


| REVISION HISTORY |             |      |          |
|------------------|-------------|------|----------|
| REV              | DESCRIPTION | DATE | APPROVED |
|                  |             |      |          |



|  |           |              |                              |            |
|--|-----------|--------------|------------------------------|------------|
|  | NAME      | DATE         | La French Studio Pvt. Ltd.   |            |
| DRAWN  | Associate | 05/26/22     | TITLE                        |            |
| CHECKED  |           |              | Triangle Ring                |            |
| ENG APPR   |           |              | SIZE                         | DWG NO     |
| MGR APPR   |           |              | A2                           | 1          |
| UNLESS OTHERWISE SPECIFIED<br>DIMENSIONS ARE IN MILLIMETERS<br>ANGLES ±XX°<br>2 PL ±XXX 3 PL ±XXXX |           |              | FILE NAME: Triangle Ring.dft | REV<br>1.0 |
| SCALE:   | WEIGHT:   | SHEET 1 OF 1 |                              |            |