

ELECTRICAL ENCLOSURE ASSEMBLY

SINGLE GANG MOUNTING PLATFORM - STONE, WOOD, GLASS, & OTHER SOLID SURFACES

DESCRIPTION:

Applications:

Solid surface mounting platforms are designed for wall, baseboard, cabinetry, & backsplash installations. The platforms includes an integrated electrical enclosure that works with both flexible wiring (i.e. Romex) and rigid conduit systems. They are available in 1/2" and 5/8" thicknesses and for a variety of wall coverings and finishes including: stone, wood, glass, mirror, and large format tile. The platform can accomodate solid surface materials from 3/8 to 1-1/4" thick.

Flush Finish:

Platform technology allows for a zero-sightline, flush finish. Paint-ready fascias provide flexible finishing options including paints and veneers.

Trims and Covers:

Accepts TRUFIG trim components and fascias. Fascias and trims are designed to fit many line voltage and low voltage devices.

Accessories:

Deep back box - attaches directly to the mounting platform increasing the number of wiring knockouts and volume of enclosure

Router Template - quickly and precisely route fascia openings in the field with a rigid Plexiglas router template.

TECHNICAL:

Materials:

Panel - Pressed gypsum (fire class A, 95% recycled material).

Gypsum material is impact, mold and moisture resistant.

Enclosure - 16 GA Galvanized G-90 Steel

Listing:

ETL certified to UL 514A & CSA C22.2#18.1 standards

Enclosure volume:

27.5 cubic inches (451 cc) with shallow back plate, or 43.9 cubic inches (720 cc) with deep box accessory

Environment:

For indoor use only - mounting platform can be used in damp such as kitchens, back-splashes, and bathrooms

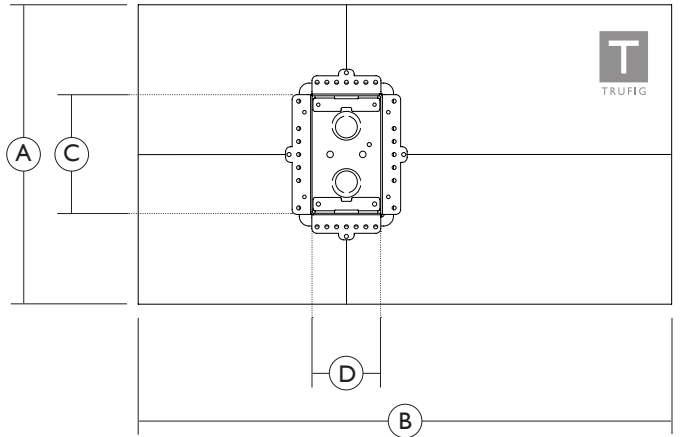
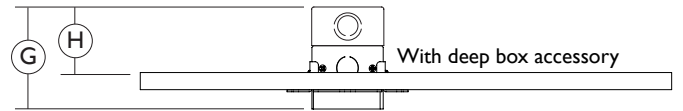
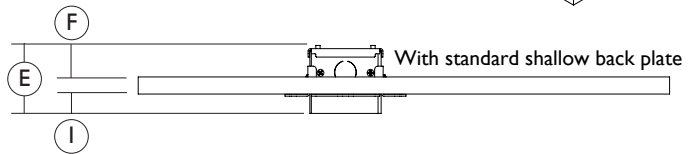
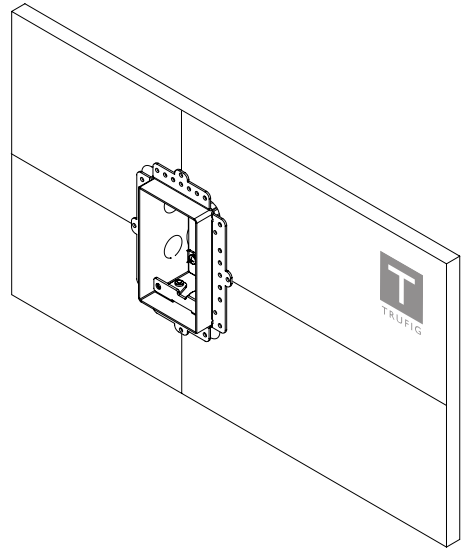
ORDERING INFO:

Single Gang, 5/8" Solid Surface

Model#: 50217

Single Gang, 1/2" Solid Surface

Model#: 50208



- | | |
|------------------|----------------|
| (A) 11.50"/292mm | (F) 1.15"/29mm |
| (B) 20.50"/521mm | (G) 3.87"/98mm |
| (C) 4.70"/119mm | (H) 2.54"/65mm |
| (D) 2.83"/72mm | (I) 0.71"/18mm |
| (E) 2.48"/63mm | |

212 Avenida Fabricante
San Clemente, CA 92672
(949) 492 - 7777

As part of its policy of continuous research and product development, the company reserves the right to change or withdraw specifications without prior notice.



TRUFIG

TRUFIG and the TRUFIG Logo are trademarks of Dana Innovations. © 2012 Dana Innovations. All rights reserved.

TYPE: _____

CATALOG: _____

PROJECT: _____

DATE: _____

TRUFIG.COM