

# Fat Flush pull handle, Round

Tom Dixon Collection

d line

## PRODUCT DATA SHEET

**ITEM NUMBER** 15.9010.01.000  
**SURFACE** Polished brass

**PRODUCT**  
Fat flush pull handle, round, Ø70mm, brass.

### PICTURE



### TENDER TEXT

Fat flush pull handle, round, Ø70mm, brass. The FAT collection is a series of architectural hardware pieces designed by English industrial designer Tom Dixon. Angular and bulbous, the pieces are a testament to form following function, whilst maintaining a humorous silhouette and a reductionist aesthetic. FAT is part of a fuller series by Tom Dixon including dining chairs, bar stools and lounge chairs. Material: polished brass. Radius: Ø70. W:70 mm x H:70 mm x D:19 mm.

### PRODUCT SPECIFICATION

Dimensions: W:70 mm x H:70 mm x D:19 mm.

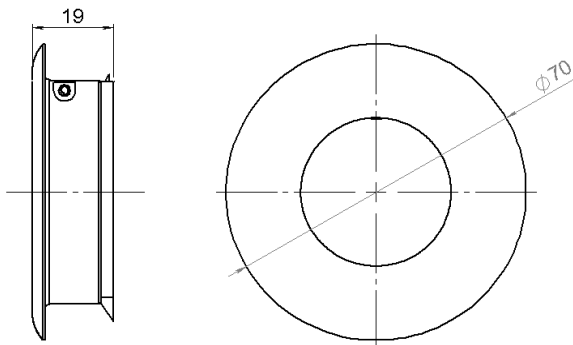
Radius: Ø70

Material: polished brass

Surface finish: polished, crafted by hand

Warranty for brass parts - 20 years

### DRAWING



### SPARE PARTS / ACCESSORIES:

14970102016	-	Grub screw M5 x 6,8 mm
14970102019	-	Grub screw M5 x 8,3 mm

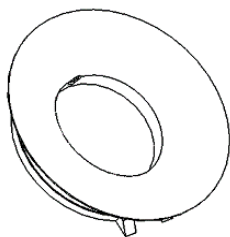
### MOUNTING:

See instruction supplied with product.

### PACKING:

25 pcs in a bag

### ISO-DRAWING



### PRODUCT CARE

d line products are produced from brass. To sustain the unique d line finish appearance please follow the below instructions

- Wash down the surfaces using soapy water or mild detergent
- Always thoroughly rinse off with clean water
- To complete the cleaning procedure dry/polish the surfaces with a soft dry cloth

Please do not use scouring powder, steel wool, chloride based detergents or other aggressive cleaning products as these may damage the surface.