

Fat pull handle, large. Bush

Tom Dixon FAT collection

d line

PRODUCT DATA SHEET

ITEM NUMBER 15.9008.01.210
SURFACE Polished brass

PRODUCT
Fat pull handle, large. Bush, Ø35, cc210, brass.

PICTURE



TENDER TEXT

Fat pull handle, large. Bush, Ø35, cc210, brass. The FAT collection is a series of architectural hardware pieces designed by English industrial designer Tom Dixon. Angular and bulbous, the pieces are a testament to form following function, whilst maintaining a humorous silhouette and a reductionist aesthetic. FAT is part of a fuller series by Tom Dixon including dining chairs, bar stools and lounge chairs. Material: brass. W:245 mm x H:135 mm x D:Ø35mm.

PRODUCT SPECIFICATION

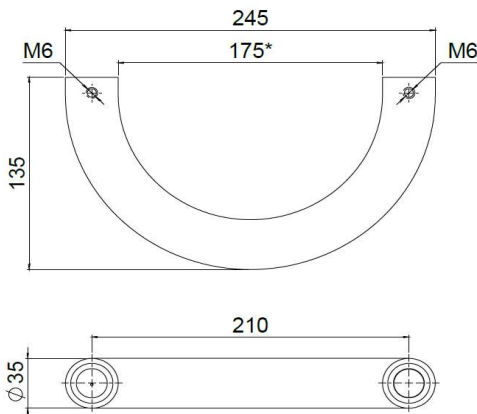
Dimensions: W:245 mm x H:135 mm. Diameter : Ø35mm.

Material: brass

Surface finish: polished brass, crafted by hand

Warranty for stainless steel - 20 years

DRAWING



SPARE PARTS / ACCESSORIES:

- 14491692601 - Bush head bolt M12 x 60 mm
- 14970100106 - Grub screw M6 x 8 mm
- 14976500157 - Allen key 3 mm
- A4974102324 - Thrust rose Ø26,4 x 2 mm (only for glass door)
- 12496500305 - Fittings for glass door f/2 side (only for glass door)

MOUNTING:

See instruction supplied with product.

PACKING:

4 pcs. per box

ISO-DRAWING



PRODUCT CARE

d line products are produced from brass. To sustain the unique d line finish appearance please follow the below instructions

- Wash down the surfaces using soapy water or mild detergent
- Always thoroughly rinse off with clean water
- To complete the cleaning procedure dry/polish the surfaces with a soft dry cloth

Please do not use scouring powder, steel wool, chloride based detergents or other aggressive cleaning products as these may damage the surface.