

# Fat pull handle, large. Bush

Tom Dixon FAT collection

d line

## PRODUCT DATA SHEET

ITEM NUMBER	SURFACE
12.9008.02.210	Satin Stainless Steel
12.9008.P4.210	Satin stainless steel, PVD charcoal
17.9008.F1.210	Polished stainless steel, electric blue

## PRODUCT

Fat pull handle, large. Bush, Ø35, cc210, satin.

## PICTURE



## TENDER TEXT

Fat pull handle, large. Bush, Ø35, cc210, satin. The FAT collection is a series of architectural hardware pieces designed by English industrial designer Tom Dixon. Angular and bulbous, the pieces are a testament to form following function, whilst maintaining a humorous silhouette and a reductionist aesthetic. FAT is part of a fuller series by Tom Dixon including dining chairs, bar stools and lounge chairs. Material: stainless steel AISI 316 satin finish. W:245 mm x H:135 mm x D:Ø35mm.

## PRODUCT SPECIFICATION

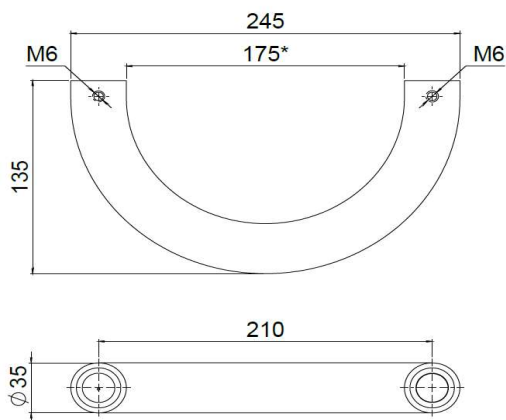
Dimensions: W:245 mm x H:135 mm. Diameter : Ø35mm.

Material: stainless steel AISI 316

Surface finish: satin grain 320, crafted by hand

Warranty for stainless steel - 20 years

## DRAWING



## SPARE PARTS / ACCESSORIES:

14491692309 - Bush head bolt M12 x 30 mm

14491692601 - Bush head bolt M12 x 60 mm

14970100106 - Grub screw M6 x 8 mm

14976500157 - Allen key 3 mm

A4974102324 - Thrust rose Ø26,4 x 2 mm (only for glass door)

12496500305 - Fitting f/glass door Ø12 (only for glass door)

## MOUNTING:

See instruction supplied with product.

## PACKING:

4 pcs. per box

## ISO-DRAWING



## PRODUCT CARE

To sustain the unique d line finish appearance please follow the below instructions:

- Wash down the surfaces using soapy water or mild detergent
- Always thoroughly rinse off with clean water
- To complete the cleaning procedure dry/polish the surfaces with a soft dry cloth

Please do not use scouring powder, steel wool, chloride based detergents or other aggressive cleaning products as these may damage the surface.

If spots or corrosion appear on the surface it is not due to the stainless steel quality, but to impurities in the environment, aggressive conditions or improper or insufficient cleaning.