

# Fat Door Knocker

Tom Dixon Collection

d line

## PRODUCT DATA SHEET

**ITEM NUMBER** 15.9011.01.000  
**SURFACE** Polished brass

**PRODUCT**  
Fat door knocker, Ø35, 140x140, cc105, brass.

### PICTURE



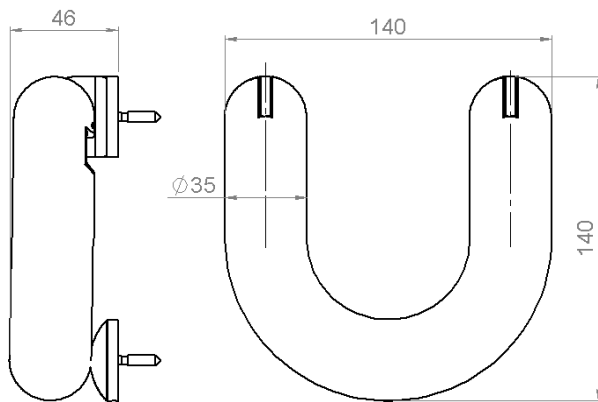
### TENDER TEXT

Fat door knocker, Ø35, 140x140, cc105, brass. The FAT collection is a series of architectural hardware pieces designed by English industrial designer Tom Dixon. Angular and bulbous, the pieces are a testament to form following function, whilst maintaining a humorous silhouette and a reductionist aesthetic. FAT is part of a fuller series by Tom Dixon including dining chairs, bar stools and lounge chairs. Material: polished brass, round. Radius: Ø35. W:140 mm x H:140 mm x D:46 mm.

### PRODUCT SPECIFICATION

Dimensions: W:140 mm x H:140 mm x D:46 mm.  
Radius: Ø35  
Material: brass  
Surface finish: polished, crafted by hand  
Warranty for brass parts - 20 years

### DRAWING



### SPARE PARTS / ACCESSORIES:

D0000008245 - Double head ended, woodscrew/M4, l=25mm.  
D0000008246 - Grub screw M3x14mm.

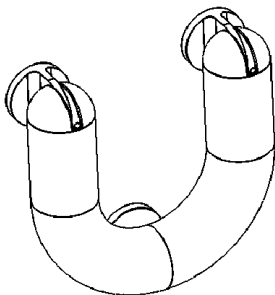
### MOUNTING:

See instruction supplied with product.

### PACKING:

4 pair per box

### ISO-DRAWING



### PRODUCT CARE

d line products are produced from brass. To sustain the unique d line finish appearance please follow the below instructions

- Wash down the surfaces using soapy water or mild detergent
- Always thoroughly rinse off with clean water
- To complete the cleaning procedure dry/polish the surfaces with a soft dry cloth

Please do not use scouring powder, steel wool, chloride based detergents or other aggressive cleaning products as these may damage the surface.