



COMPONANCE
ARCHITECTURAL HARDWARE

SA SERIES: BRASS

WALL MOUNTED HANDRAIL BRACKET



SPEC

SA-WALL-BRASS

Application	Wall Mounted
Material	Solid Brass
Finish	Brushed & Clear Coat
Colour	Brass
Use	Interior & Exterior
Projection	2.9" / 75mm
Spacing	36"-48" o.c. / 914-1220mm
Hardware	Included

NOTES

Use with rail with flat bottom. Minimum 1-1/2" solid backing required. Can be installed on existing drywall. All hardware included.

SA Series, designed and manufactured by componance. For technical information, CAD drawings or related materials, please visit: www.componance.com or contact an authorized componance dealer. All information subject to change. Line drawings are not plotted to scale, for scaled drawings please inquire or download the drawings in CAD format.

componance.com
info@componance.com
 +1.604.771.5128

SA SERIES: BLACK

WALL MOUNTED HANDRAIL BRACKET



SPEC

SA-WALL-BLACK

Application	Wall Mounted
Material	304 Stainless Steel
Finish	Powder Coated
Colour	Black
Use	Interior & Exterior
Projection	2.9" / 75mm
Spacing	36"-48" o.c. / 914-1220mm
Hardware	Included

NOTES

Use with rail with flat bottom. Minimum 1-1/2" solid backing required. Can be installed on existing drywall. All hardware included.

SA Series, designed and manufactured by componance. For technical information, CAD drawings or related materials, please visit: www.componance.com or contact an authorized componance dealer. All information subject to change. Line drawings are not plotted to scale, for scaled drawings please inquire or download the drawings in CAD format.

componance.com
info@componance.com
 +1.604.771.5128

SA SERIES: WHITE

WALL MOUNTED HANDRAIL BRACKET



SPEC

SA-WALL-WHT

Application	Wall Mounted
Material	304 Stainless Steel
Finish	Powder Coated
Colour	White
Use	Interior & Exterior
Projection	2.9" / 75mm
Spacing	36"-48" o.c. / 914-1220mm
Hardware	Included

NOTES

Use with rail with flat bottom. Minimum 1-1/2" solid backing required. Can be installed on existing drywall. All hardware included.

SA Series, designed and manufactured by componance. For technical information, CAD drawings or related materials, please visit: www.componance.com or contact an authorized componance dealer. All information subject to change. Line drawings are not plotted to scale, for scaled drawings please inquire or download the drawings in CAD format.

componance.com
info@componance.com
 +1.604.771.5128

SA SERIES: BRUSHED STAINLESS

WALL MOUNTED HANDRAIL BRACKET



SPEC

SA-WALL-SS

Application	Wall Mounted
Material	304 Stainless Steel
Finish	Brushed
Colour	Silver
Use	Interior & Exterior
Projection	2.9" / 75mm
Spacing	36"-48" o.c. / 914-1220mm
Hardware	Included

NOTES

Use with rail with flat bottom. Minimum 1-1/2" solid backing required. Can be installed on existing drywall. All hardware included.

SA Series, designed and manufactured by componance. For technical information, CAD drawings or related materials, please visit: www.componance.com or contact an authorized componance dealer. All information subject to change. Line drawings are not plotted to scale, for scaled drawings please inquire or download the drawings in CAD format.

componance.com
info@componance.com
 +1.604.771.5128

NOTES

Specification: SA-WALL-(COLOUR)

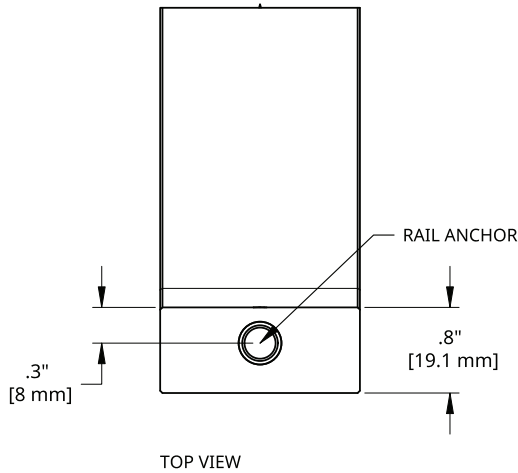
Minimum 1-1/2" / 38mm of solid backing, wood stud or concrete required for anchoring.

Can be installed on top of existing drywall.

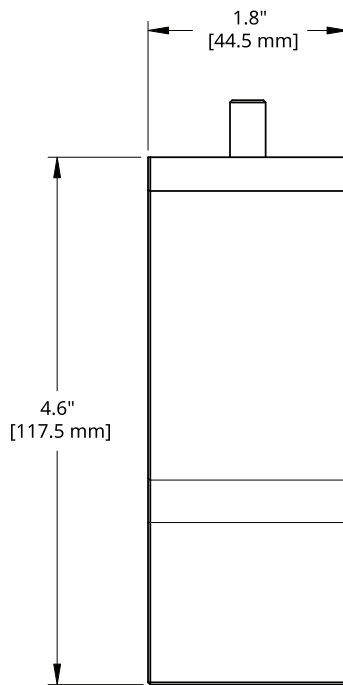
Rail must be flat on the bottom where it comes in contact with the bracket. 1.75" W x 3/4" D / 45mm x 20mm min.

Can be used with solid metal and wood rails. For hollow metal rails, please inquire.

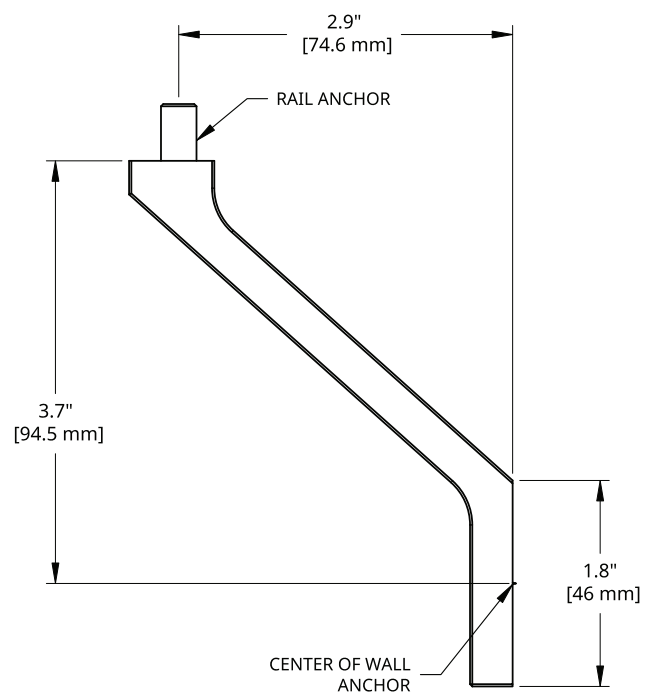
For technical installation, product specs, maintenance and more specific questions, please contact info@componance or call +1.604.771.5128



TOP VIEW



FRONT VIEW



SIDE VIEW

SA Series, designed and manufactured by componance. For technical information, CAD drawings or related materials, please visit: www.componance.com or contact an authorized componance dealer. All information subject to change. Line drawings are not plotted to scale, for scaled drawings please inquire or download the drawings in CAD format.

componance.com
info@componance.com
 +1.604.771.5128